

APPROVED: _____
 DATE: _____ TITLE: _____

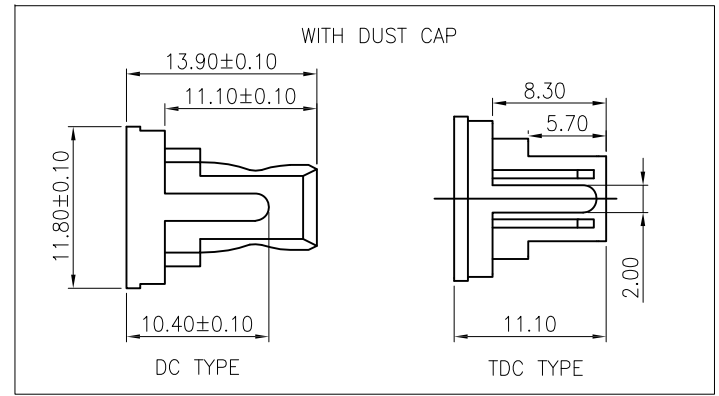
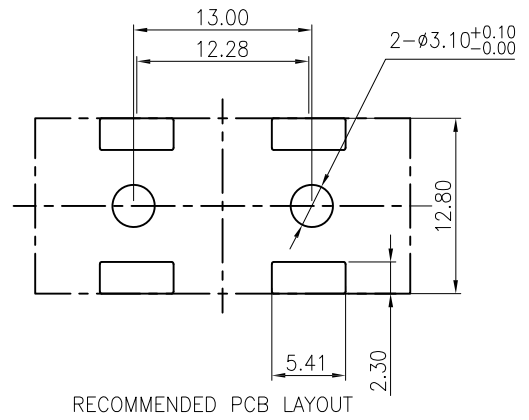
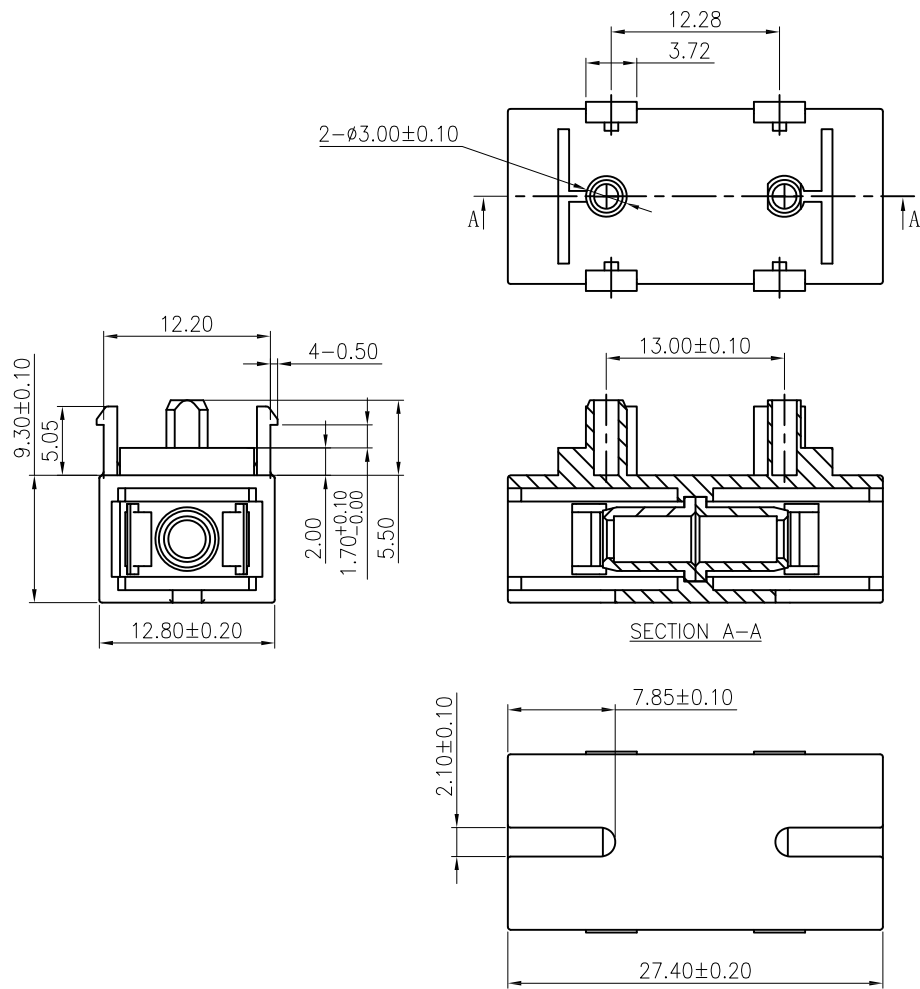
Rev	AWO #	Description	Date	Appr
-		RELEASED	9/8/20	

D

C

B

A



PART NUMBER	DESCRIPTION	Housing&Insert color	Cap Color
OPSA1DNNC1N1	SC/APC, TWO TYPE DUST CAP	7737C Green	PBT Black
OPSB1DNNC1N1	SC/PC, TWO TYPE DUST CAP	2184C Blue	PBT Black
OPSA1DNNC1N2	SC/APC, CUCURBIT TYPE DUST CAP	7737C Green	PBT Black
OPSB1DNNC1N2	SC/PC, CUCURBIT TYPE DUST CAP	2184C Blue	PBT Black

SPECIFICATIONS:

Material:
 Housing: PBT, rated UL 94V-0, Color: See Chart
 Cap: PBT, rated UL 94V-0, Color: Black
 Sleeve: Zirconia Ceramic
 Electrical:
 Standards of IEC, EIA/TIA, Telcordia
 Insertion loss: 0.2dB max
 Repeatability: 500 cycles min
 Temperature Rating:
 Operating temperature: -25°C to +85°C
 Environmental:
 Lead free, RoHS compliant.



UNLESS OTHERWISE SPECIFIED
 ALL DIMENSIONS ARE MILLIMETERS
 TOLERANCES: EXCEPT AS NOTED

MM	ANGLE
X. ± 0.35	X° ± 2°
.X ± 0.30	.X° ± 1°
.XX ± 0.25	.XX° ± 0.5°
.XXX ± 0.15	.XXX° ± 0.5°

APPROVALS		DATE
DRAWN	LH	9/8/20
CHECKED	JL	9/8/20
APPROVED		

ADAM TECH INTERCONNECTS
 909 Rahway Avenue,
 Union, NJ 07083
 Phone: 908-687-5000
 Fax: 908-687-5710

TITLE		
SC TYPE ADAPTER, PC, 1 PORTS, SNAP-IN BOARDLOCKS 3.00MM WITH SC CUCURBIT TYPE DUST CAP & SC TWO TYPE DUST CAP		
SIZE	PART NO.	REV.
X	OPXS1DNNC1NX	-
REF: S00005C	SCALE: NTS	SHEET 1 OF 1

6

5

4

3

2

1

D

C

B

A