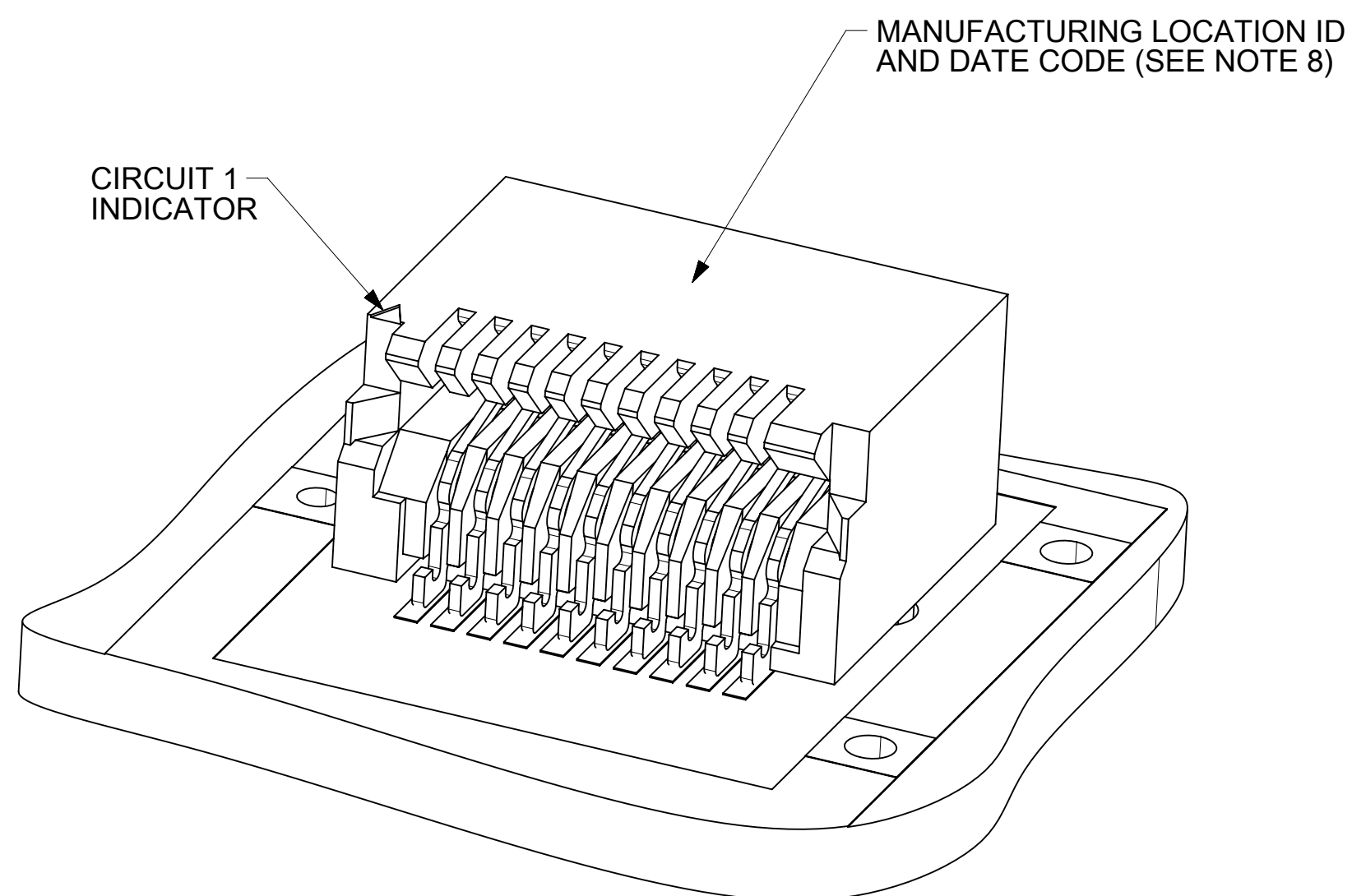


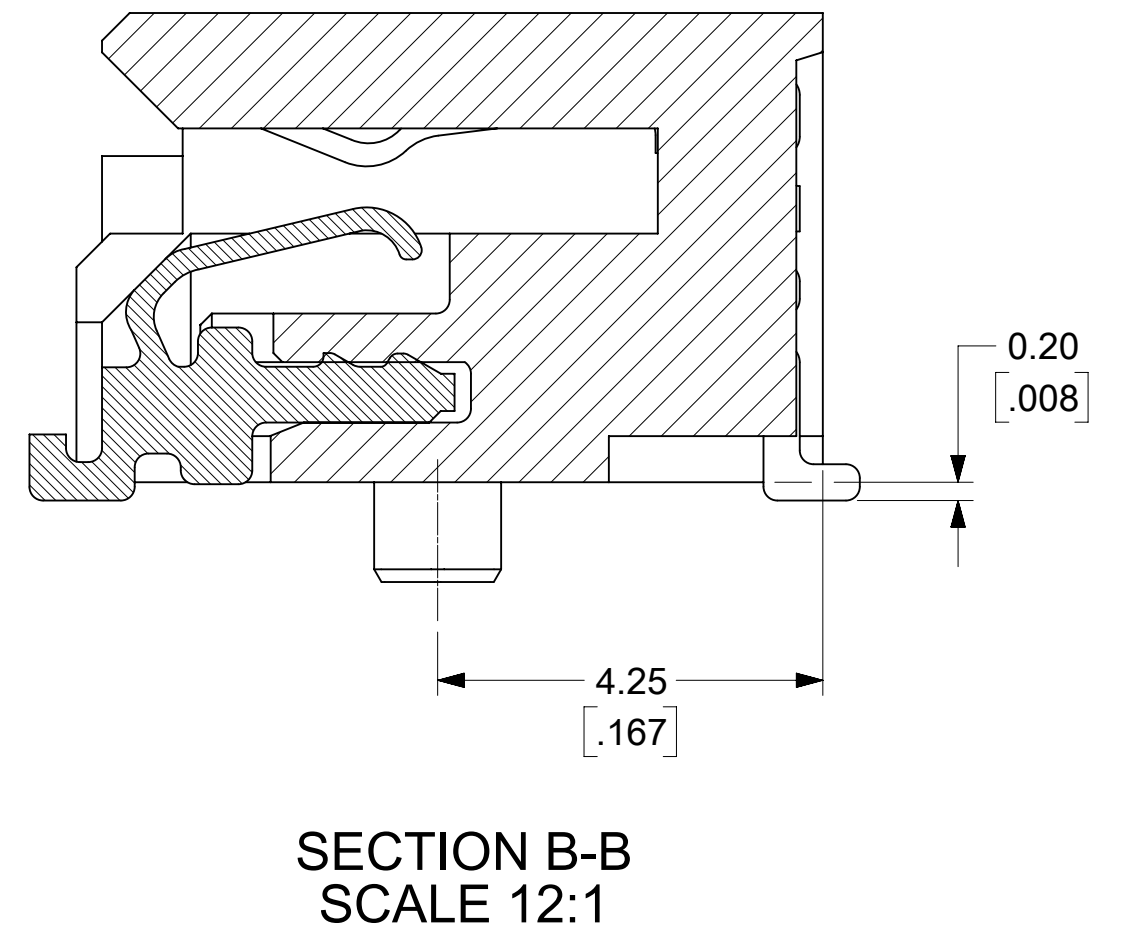
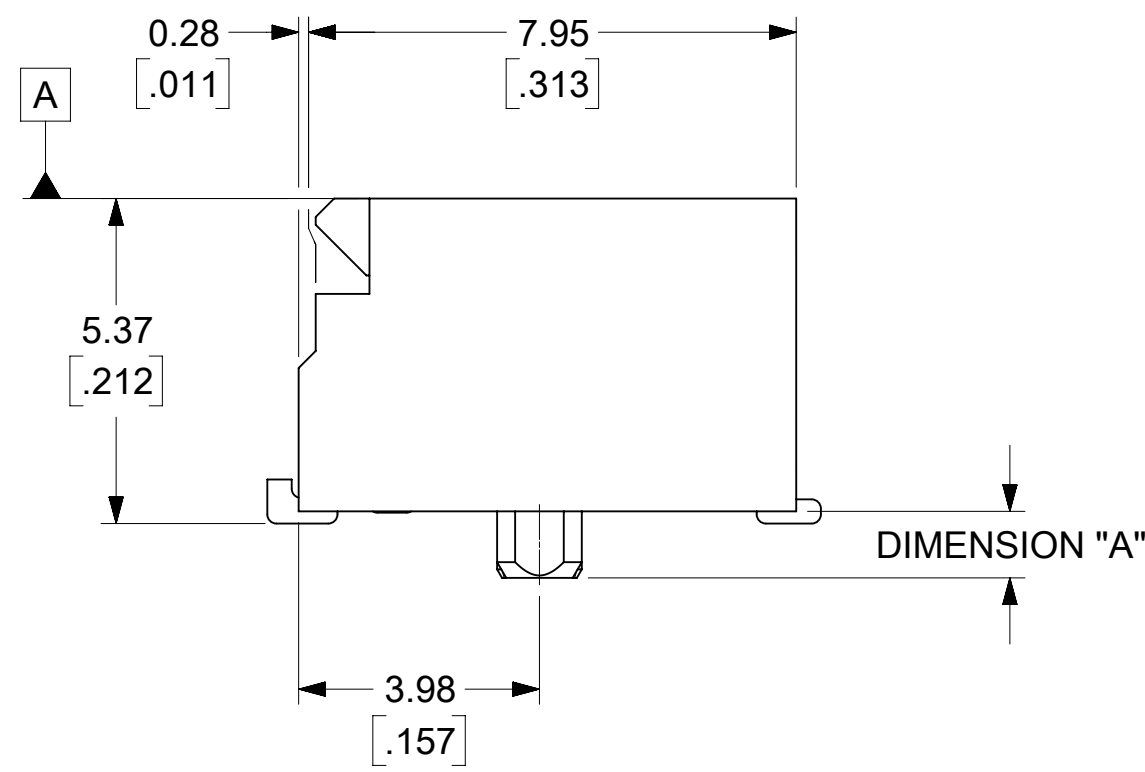
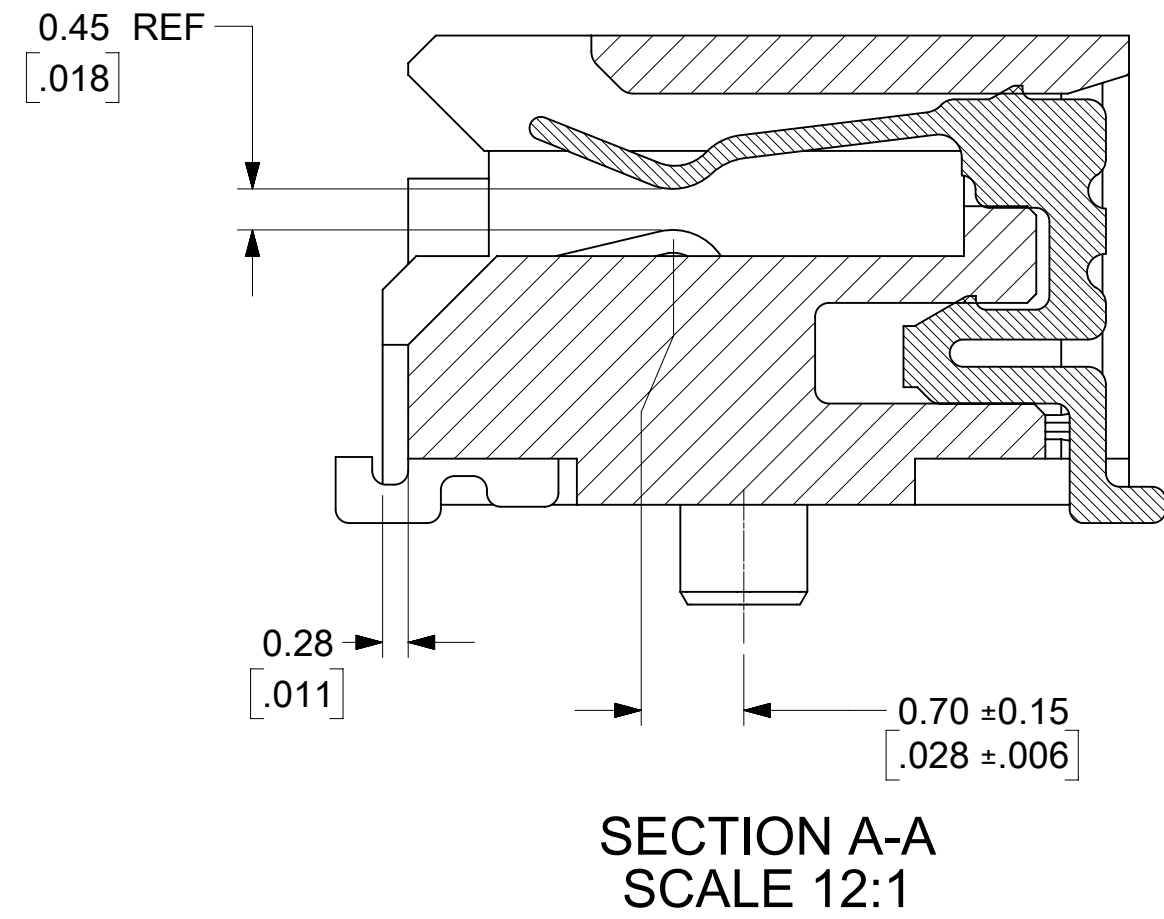
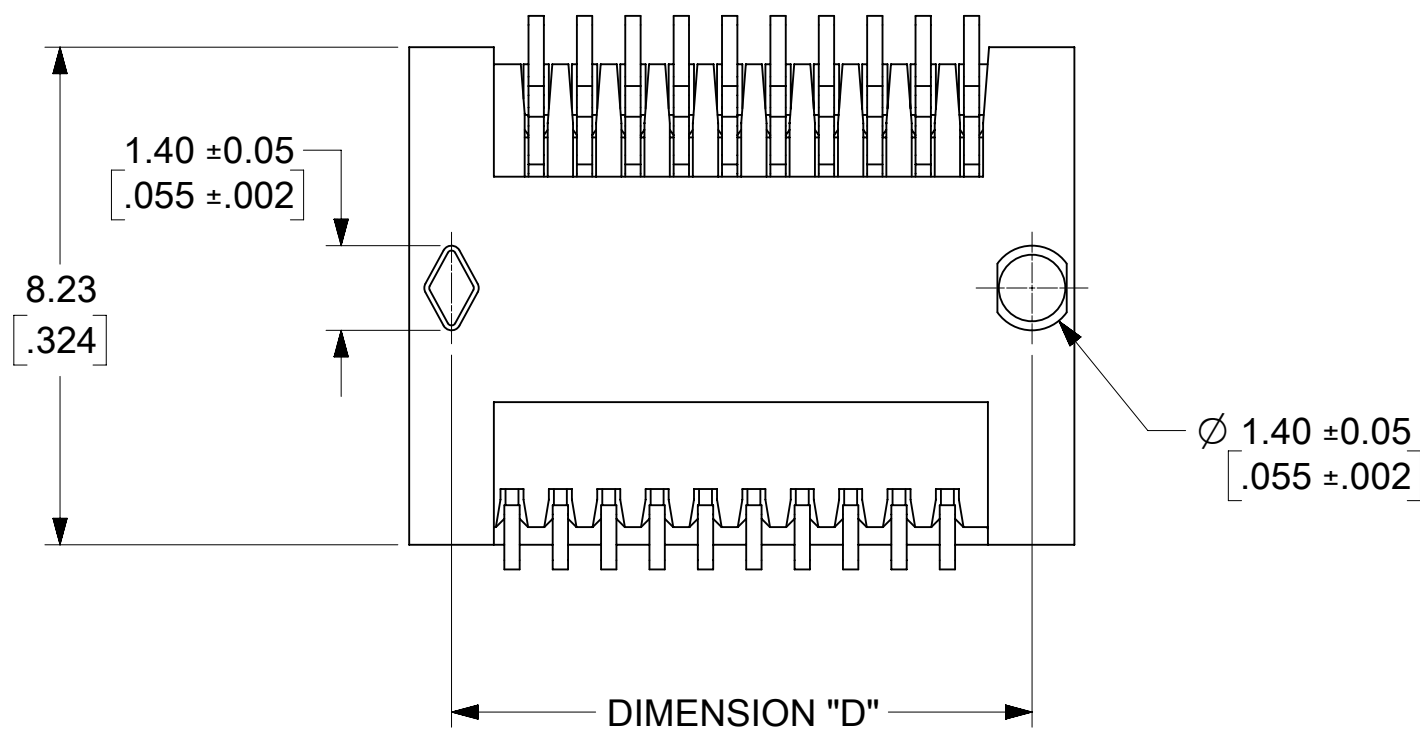
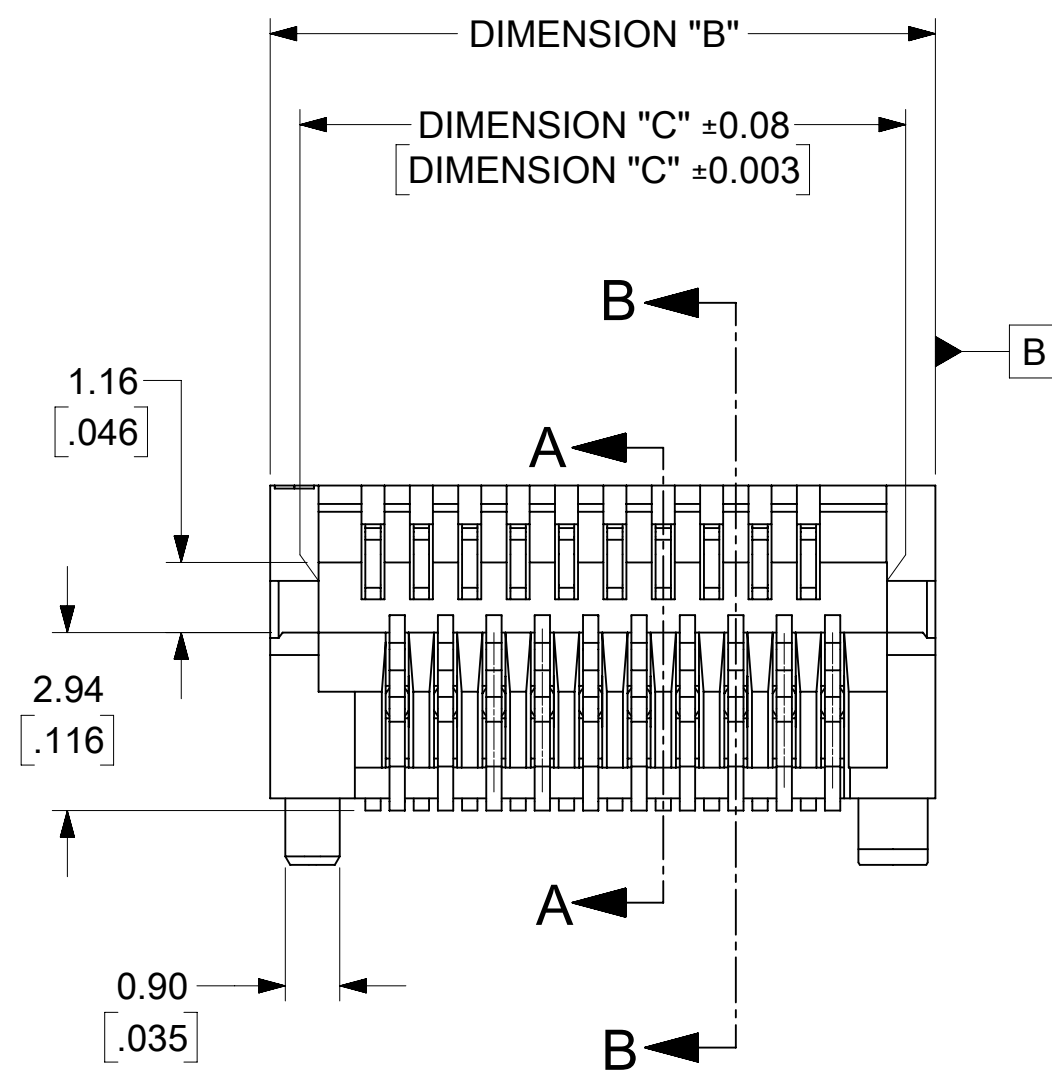
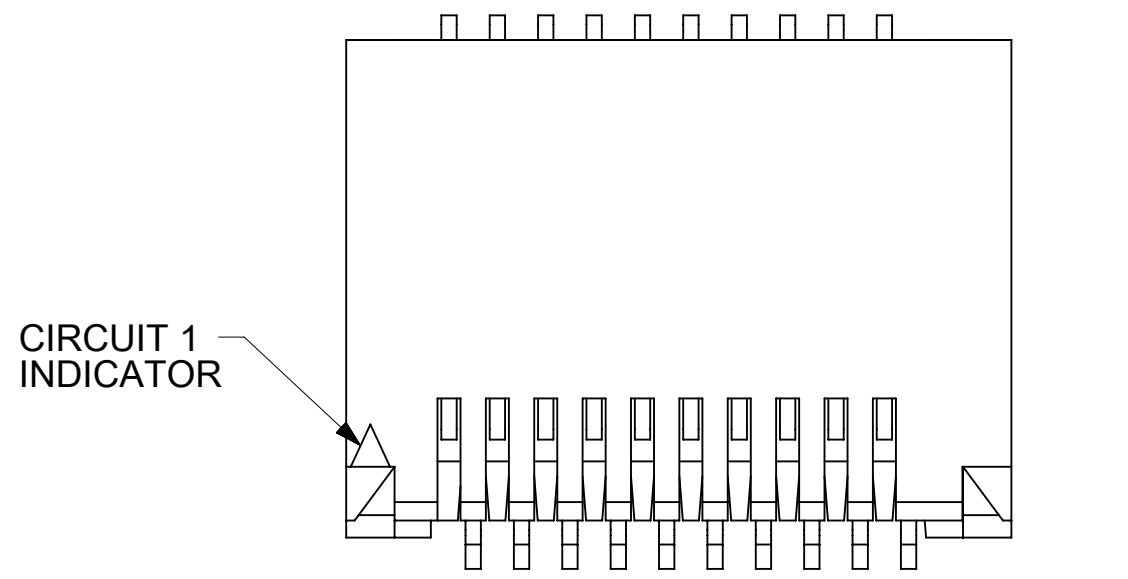
CKT SIZE	PART NUMBER	TOOLED	DESCRIPTION	DIMENSIONS				MULTI-SOURCE AGREEMENT	CIRCUIT BOARD LAYOUT
				"A"	"B"	"C"	"D"		
20	74441-0001	YES	PLATED PER NOTE 2	1.10/.043	11.00/.433	9.40/.370	9.60/.378	SFP	SEE SHEET 3
	74441-0004	NO*	PLATED PER NOTE 2	0.76/.030					
	74441-0010	YES	PLATED PER NOTE 3	1.10/.043					
	74441-0014	NO*	PLATED PER NOTE 3	0.76/.030					
	74441-0041	YES	PLATED PER NOTE 5	1.10/.043					
30	74441-0007	YES	PLATED PER NOTE 2	1.10/.043	15.00/.591	13.40/.528	13.60/.535	XFP	SEE SHEET 4
	74441-0017	YES	PLATED PER NOTE 3	1.10/.043					
70	74441-0003	YES	PLATED PER NOTE 2	1.10/.043	31.00/1.220	29.40/1.517	29.60/1.165	XENPAK XPAK X2	SEE SHEET 5

NOTES

- MATERIAL:
HOUSING - HIGH TEMPERATURE THERMOPLASTIC GLASS FILLED, UL 94V-0, BLACK
TERMINALS - COPPER ALLOY
- PLATING (SEE TABLE):
CONTACT AREA - 0.38 MICROMETER MINIMUM GOLD OVER NICKEL
SOLDER FOOT AREA - 2.54 MICROMETER MINIMUM TIN OVER NICKEL
- PLATING (SEE TABLE):
CONTACT AREA - 0.76 MICROMETER MINIMUM GOLD OVER NICKEL
SOLDER AREA - 2.54 MICROMETER MINIMUM TIN OVER NICKEL
- PLATING (SEE TABLE):
CONTACT AREA - 0.76 MICROMETER MINIMUM GOLD OVER 2.54 MICROMETERS MINIMUM NICKEL.
SOLDER AREA: GOLD FLASH OVER NICKEL.
- PLATING (SEE TABLE):
CONTACT AREA - 0.38 MICROMETER MINIMUM GOLD OVER NICKEL;
SOLDER AREA: GOLD FLASH OVER NICKEL.
- SOLDER FEET COPLANAR WITHIN 0.10/.004 FOR 20, 30 AND 40 CIRCUIT CONNECTORS, WITHIN 0.15/.006 FOR 50 AND 70 CIRCUIT CONNECTORS
- * CONTACT PLANT FOR MORE INFORMATION
- DATE CODE: 4 DIGIT (3 DIGIT DAY, 1 DIGIT YEAR)
- THE CIRCUIT 1 INDICATOR MAY VARY IN SIZE AND APPEARANCE.

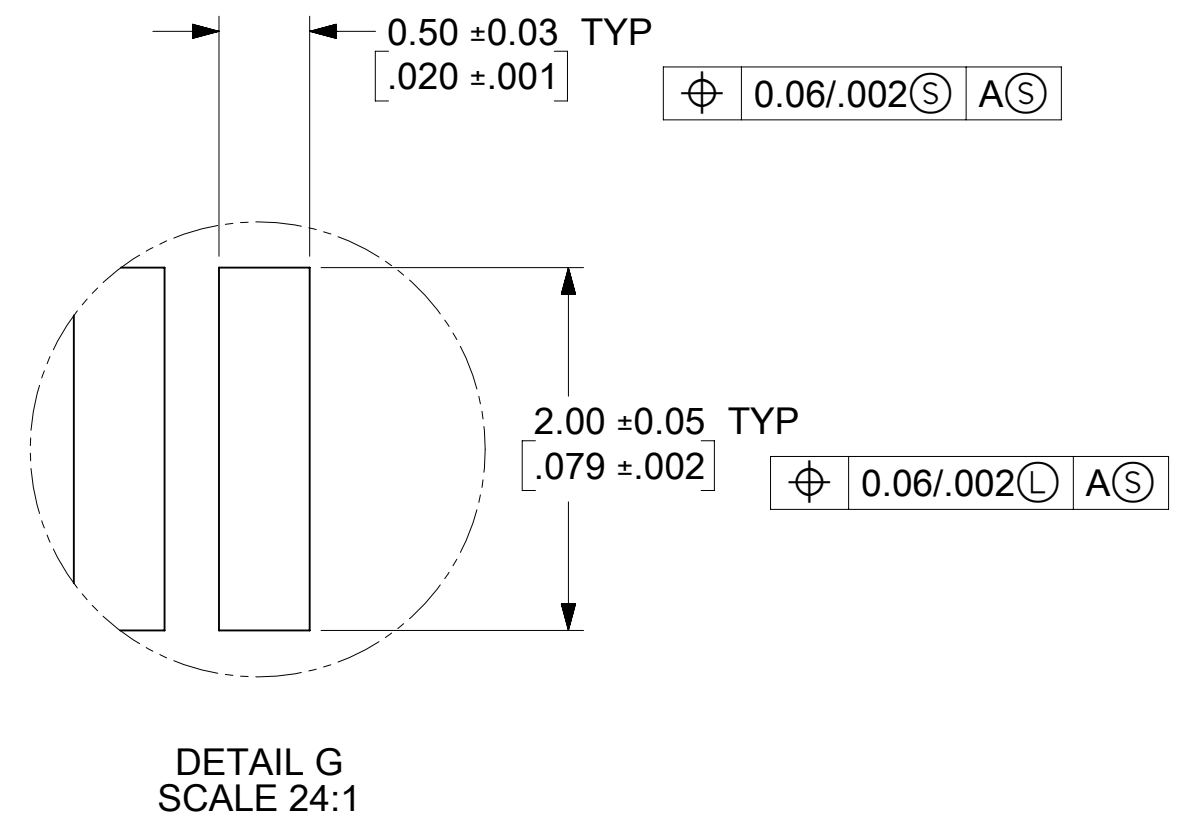
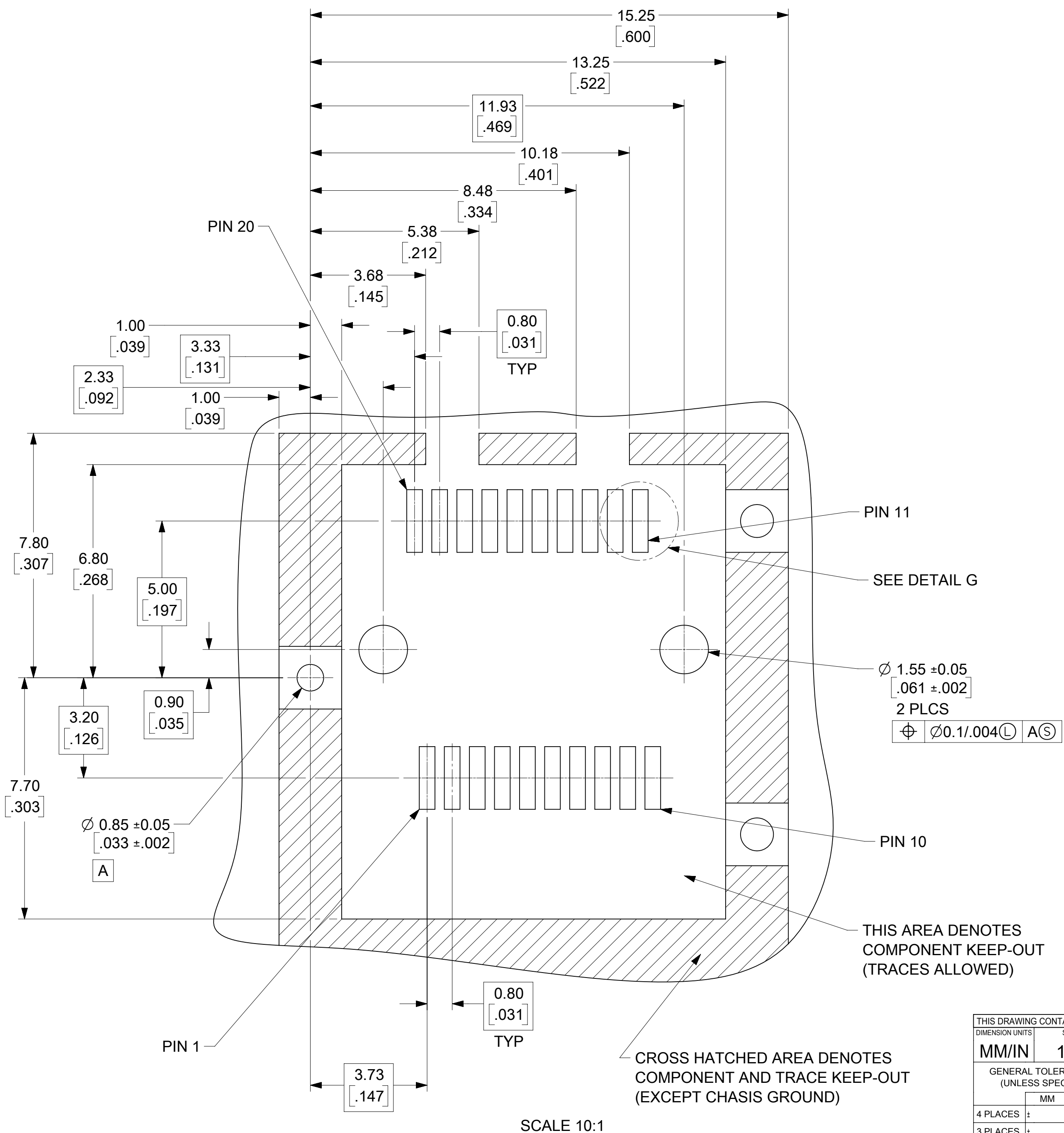


THIS DRAWING CONTAINS INFORMATION THAT IS PROPRIETARY TO MOLEX ELECTRONIC TECHNOLOGIES, LLC AND SHOULD NOT BE USED WITHOUT WRITTEN PERMISSION										
DIMENSION UNITS MM/IN		SCALE 8:1		CURRENT REV DESC: OBSOLETE PART NUMBER AS PER PCN#510313			molex			
GENERAL TOLERANCES (UNLESS SPECIFIED)				EC NO: 667545						SALES ASSEMBLY
		MM	INCH	DRWN: ABHISP1 2021/06/03			Z AXIS PLUGGABLE PCB CONNECTOR			
4 PLACES		±	±	CHK'D: GGA 2021/07/05			PRODUCT CUSTOMER DRAWING			
3 PLACES		±	± 0.005	APPR: GGA 2021/07/05			DOCUMENT NUMBER			
2 PLACES		± 0.13	± 0.01	INITIAL REVISION:			SD-74441-001			
1 PLACE		± 0.25	±	DRWN: HAVERY 2000/04/06			DOC TYPE DOC PART REVISION			
0 PLACES		±	±	APPR: MBANAKIS 2000/04/06			PSD 001 AC			
ANGULAR TOL		± 0.5 °		THIRD ANGLE PROJECTION			MATERIAL NUMBER			
DRAFT WHERE APPLICABLE MUST REMAIN WITHIN DIMENSIONS				DRAWING		SERIES		CUSTOMER		SHEET NUMBER
				C-SIZE		74441		SEE TABLE		GENERAL MARKET
										1 OF 5



THIS DRAWING CONTAINS INFORMATION THAT IS PROPRIETARY TO MOLEX ELECTRONIC TECHNOLOGIES, LLC AND SHOULD NOT BE USED WITHOUT WRITTEN PERMISSION

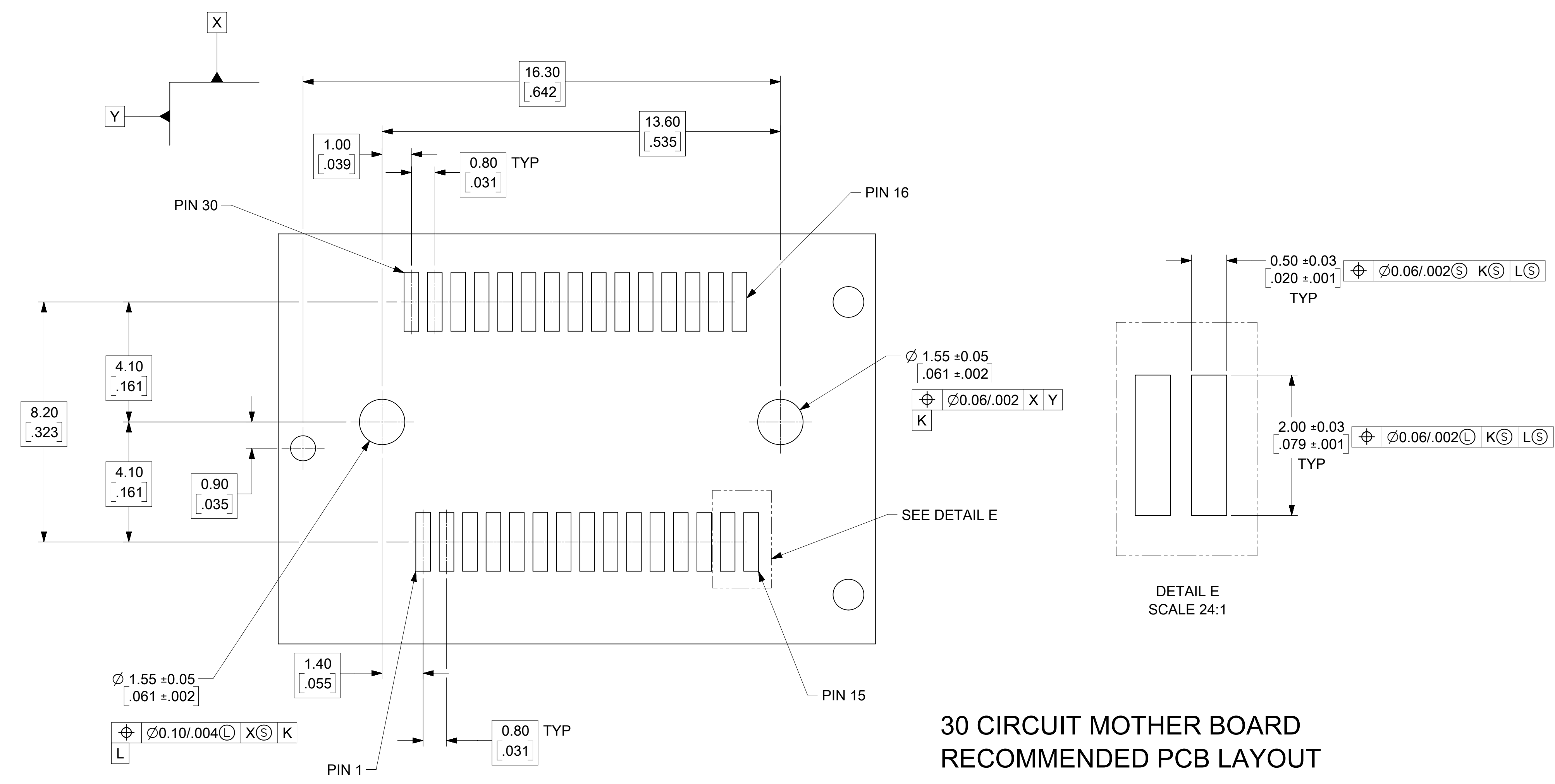
DIMENSION UNITS MM/IN		SCALE 8:1		CURRENT REV DESC: OBSOLETE PART NUMBER AS PER PCN#510313		molex		
GENERAL TOLERANCES (UNLESS SPECIFIED)				EC NO: 667545				
4 PLACES	±		±	DRWN: ABHISP1	2021/06/03	PRODUCT CUSTOMER DRAWING		
3 PLACES	±		± 0.005	CHK'D: GGA	2021/07/05	DOCUMENT NUMBER		
2 PLACES	±	0.13	± 0.01	APPR: GGA	2021/07/05	SD-74441-001		
1 PLACE	±	0.25	±	INITIAL REVISION:		DOC TYPE	DOC PART	REVISION
0 PLACES	±		±	DRWN: HAVERY	2000/04/06	PSD	001	AC
ANGULAR TOL		± 0.5 °		APPR: MBANAKIS	2000/04/06	MATERIAL NUMBER		SHEET NUMBER
DRAFT WHERE APPLICABLE MUST REMAIN WITHIN DIMENSIONS				THIRD ANGLE PROJECTION	DRAWING	SERIES	CUSTOMER	
					C-SIZE	74441	GENERAL MARKET	2 OF 5



20 CIRCUIT MOTHER BOARD RECOMMENDED PCB LAYOUT

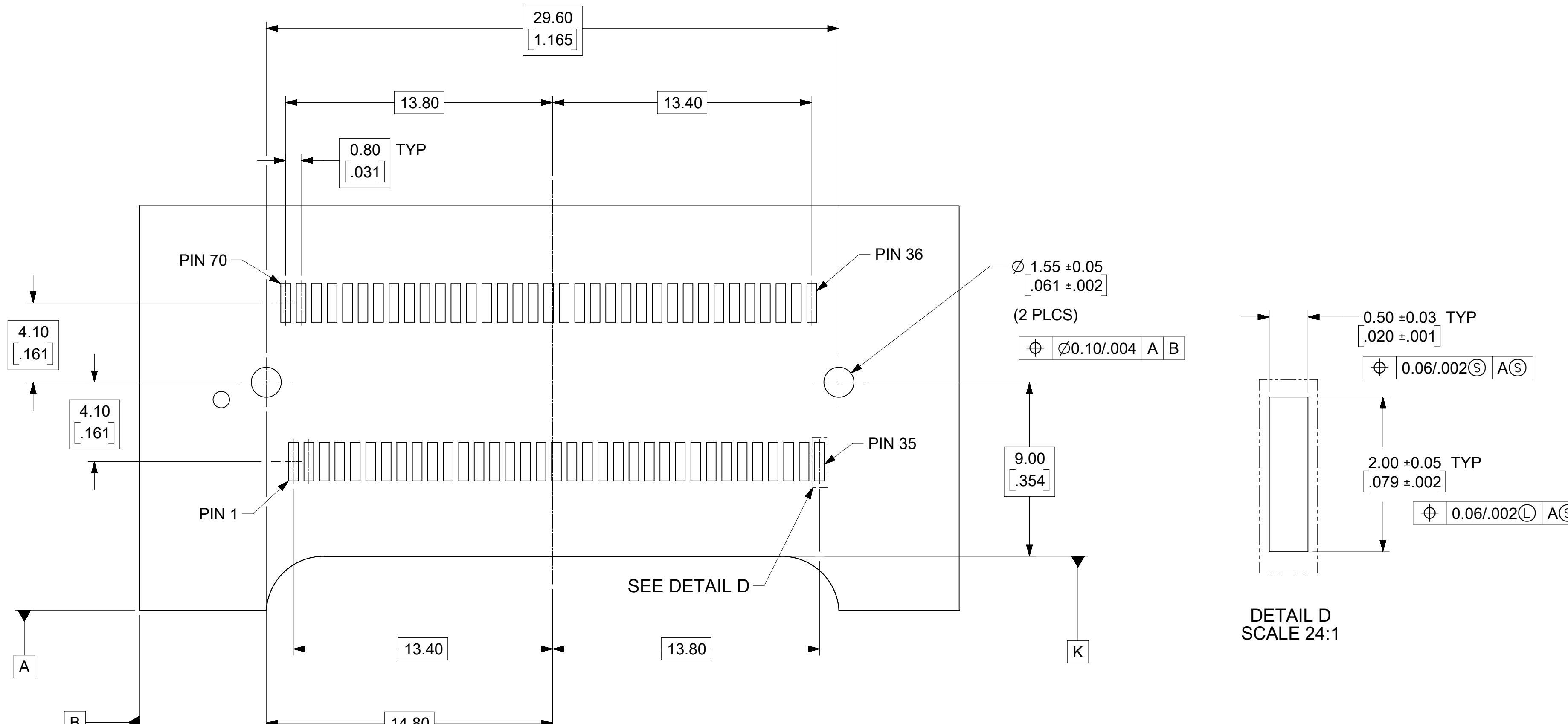
SCALE 10:1

THIS DRAWING CONTAINS INFORMATION THAT IS PROPRIETARY TO MOLEX ELECTRONIC TECHNOLOGIES, LLC AND SHOULD NOT BE USED WITHOUT WRITTEN PERMISSION									
DIMENSION UNITS MM/IN		SCALE 10:1		CURRENT REV DESC: OBSOLETE PART NUMBER AS PER PCN#510313					
GENERAL TOLERANCES (UNLESS SPECIFIED)				EC NO: 667545		2021/06/03		molex	
4 PLACES ±		±		DRWN: ABHISP1		2021/07/05			
3 PLACES ±		± 0.005		CHK'D: GGA		2021/07/05		SALES ASSEMBLY Z AXIS PLUGGABLE PCB CONNECTOR	
2 PLACES ±		0.13 ± 0.01		APPR: GGA		2021/07/05		PRODUCT CUSTOMER DRAWING	
1 PLACE ±		0.25 ±		INITIAL REVISION:				DOCUMENT NUMBER	
0 PLACES ±		±		DRWN: HAVERY		2000/04/06		SD-74441-001	
ANGULAR TOL ± 0.5°				APPR: MBANAKIS		2000/04/06		PSD 001 AC	
DRAFT WHERE APPLICABLE MUST REMAIN WITHIN DIMENSIONS				THIRD ANGLE PROJECTION		DRAWING		SERIES	
				C-SIZE		74441		MATERIAL NUMBER	
								CUSTOMER	
								GENERAL MARKET	
								SHEET NUMBER	
								3 OF 5	



30 CIRCUIT MOTHER BOARD RECOMMENDED PCB LAYOUT

THIS DRAWING CONTAINS INFORMATION THAT IS PROPRIETARY TO MOLEX ELECTRONIC TECHNOLOGIES, LLC AND SHOULD NOT BE USED WITHOUT WRITTEN PERMISSION											
DIMENSION UNITS MM/IN		SCALE 6:1		CURRENT REV DESC: OBSOLETE PART NUMBER AS PER PCN#510313				molex		SALES ASSEMBLY Z AXIS PLUGGABLE PCB CONNECTOR	
GENERAL TOLERANCES (UNLESS SPECIFIED)				EC NO: 667545 DRWN: ABHISP1 CHK'D: GGA APPR: GGA							
4 PLACES ±		±		2021/06/03				PRODUCT CUSTOMER DRAWING			
3 PLACES ±		± 0.005		2021/07/05							
2 PLACES ±		0.13 ±		2021/07/05				DOCUMENT NUMBER SD-74441-001			
1 PLACE ±		0.25 ±		INITIAL REVISION:							
0 PLACES ±		±		DRWN: HAVERY APPR: MBANAKIS				DOC TYPE PSD		DOC PART 001	
ANGULAR TOL ± 0.5°				2000/04/06 2000/04/06				SHEET NUMBER 4 OF 5			
DRAFT WHERE APPLICABLE MUST REMAIN WITHIN DIMENSIONS		THIRD ANGLE PROJECTION		DRAWING C-SIZE		SERIES 74441		MATERIAL NUMBER SEE TABLE		CUSTOMER GENERAL MARKET	



70 CIRCUIT MOTHER BOARD RECOMMENDED PCB LAYOUT

THIS DRAWING CONTAINS INFORMATION THAT IS PROPRIETARY TO MOLEX ELECTRONIC TECHNOLOGIES, LLC AND SHOULD NOT BE USED WITHOUT WRITTEN PERMISSION											
DIMENSION UNITS MM/IN		SCALE 6:1		CURRENT REV DESC: OBSOLETE PART NUMBER AS PER PCN#510313				molex		SALES ASSEMBLY Z AXIS PLUGGABLE PCB CONNECTOR	
GENERAL TOLERANCES (UNLESS SPECIFIED)		MM	INCH	EC NO: 667545		2021/06/03					
4 PLACES	±			DRWN: ABHISP1		2021/07/05		PRODUCT CUSTOMER DRAWING			
3 PLACES	±		± 0.005	CHK'D: GGA		2021/07/05					
2 PLACES	±	0.13	± 0.01	APPR: GGA		2021/07/05		DOCUMENT NUMBER SD-74441-001			
1 PLACE	±	0.25		INITIAL REVISION:							DOC TYPE
0 PLACES	±			DRWN: HAVERY		2000/04/06		PSD	001	AC	
ANGULAR TOL	±	0.5°		APPR: MBANAKIS		2000/04/06		MATERIAL NUMBER SEE TABLE			
DRAFT WHERE APPLICABLE MUST REMAIN WITHIN DIMENSIONS		THIRD ANGLE PROJECTION		DRAWING		SERIES					CUSTOMER
		C-SIZE		74441		GENERAL MARKET		5 OF 5			