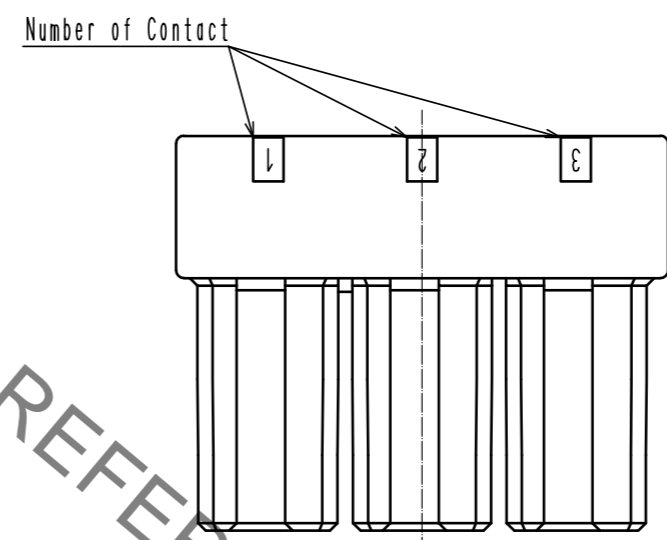
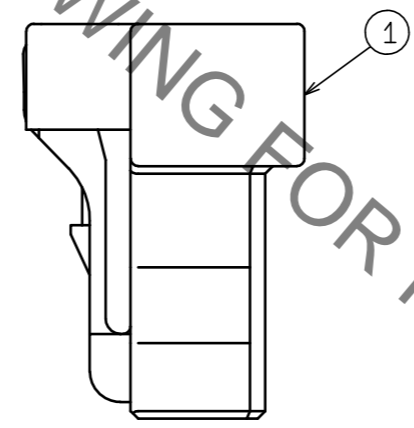
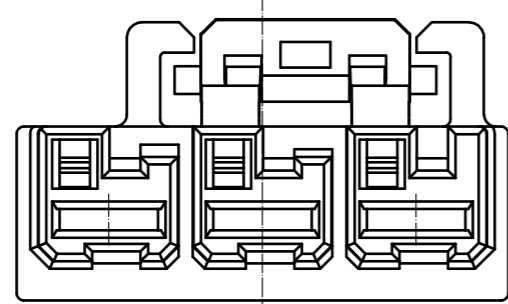
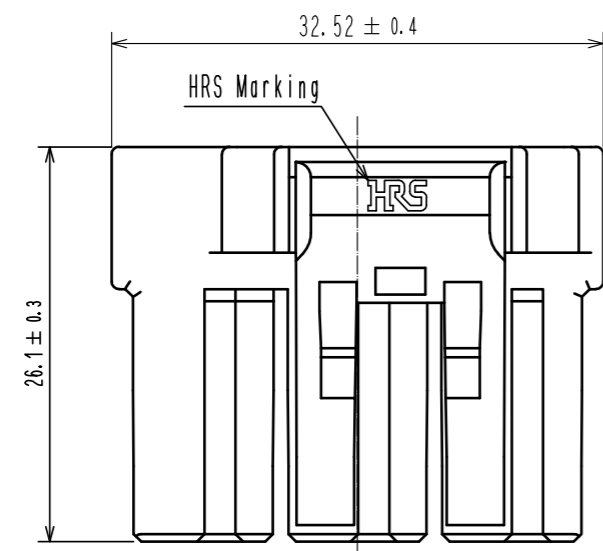
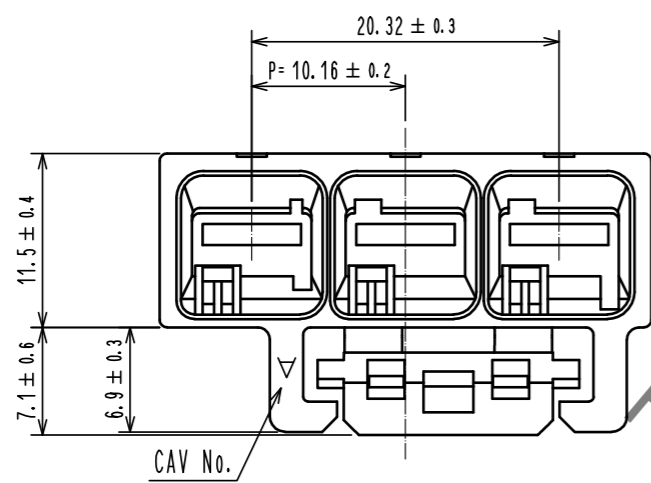


May.1.2023 Copyright 2023 HIROSE ELECTRIC CO., LTD. All Rights Reserved.
 In case of consideration for using Automotive equipment / device which demand high reliability, kindly contact our sales window correspondents.



HRS DRAWING FOR REFERENCE

NOTE1. Per Pack : 100 Pieces
 2. Refer to the technical specification (ETAP-H1020-00) for the packing type.
 3. UL(File No. E52653)
 C-UL(File No. E52653)
 TUV (Certificate No. R50400864) authorization article.



NO.		MATERIAL		FINISH . REMARKS		1	PBT	Red. UL94-V0	
UNITS mm		SCALE 2 : 1		COUNT 1	DESCRIPTION OF REVISIONS DIS-H-00004358	DESIGNED YK. YAMAGUCHI		CHECKED ST. WADA	DATE 20181029
HIROSE ELECTRIC CO., LTD.		APPROVED : HS. OKAWA	20171011	DRAWING NO.		EDC-379291-00-00			
		CHECED : ST. WADA	20171011	PART NO.		DF60FR-3S-10.16C			
		DESIGNED : TT. OHSAKO	20171011	CODE NO.		CL680-4005-0-00			
		DRAWN : TT. OHSAKO	20171011	NO.		1/1			