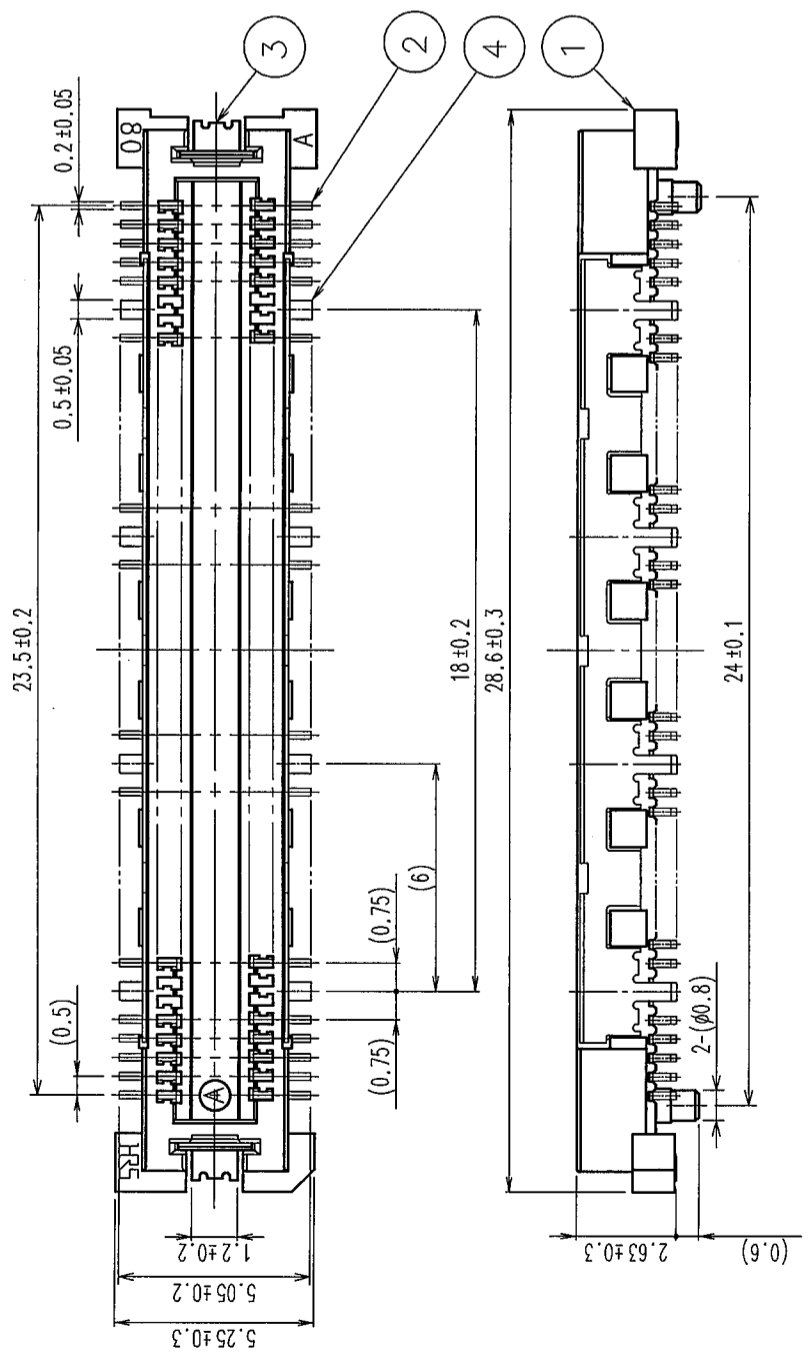
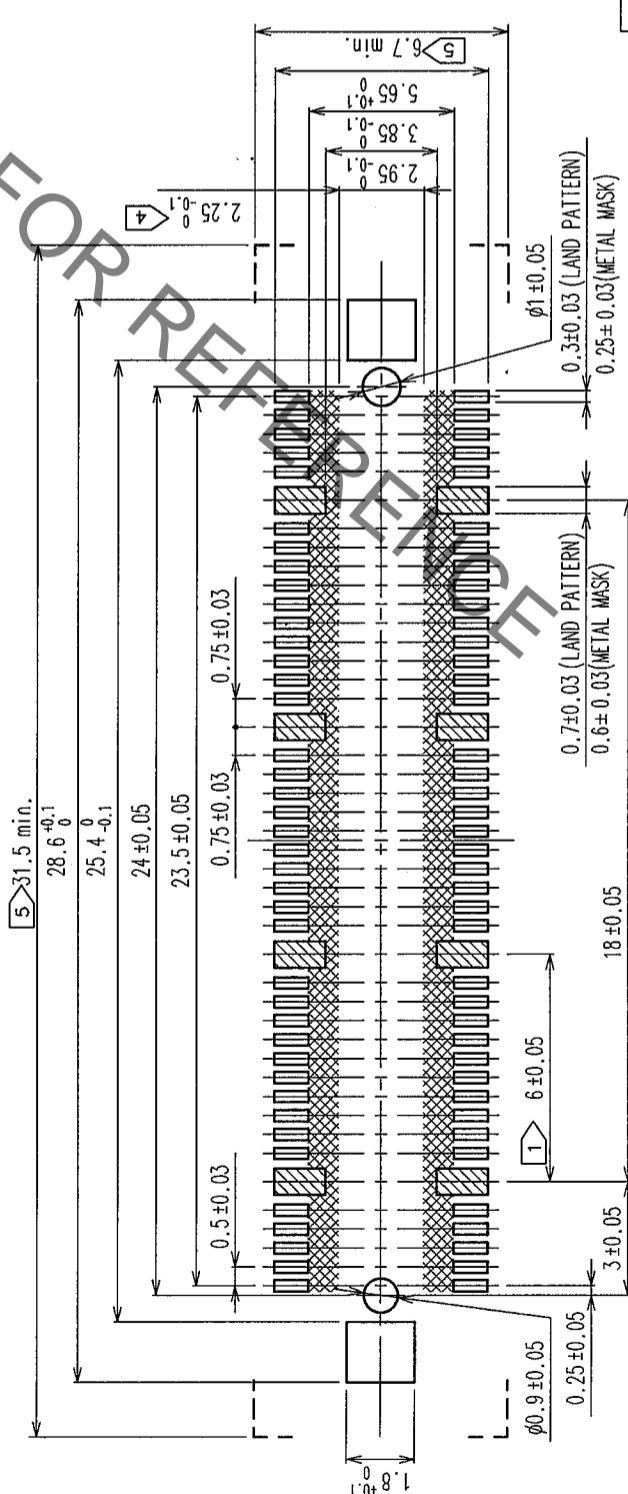


COUNT	DESCRIPTION OF REVISIONS	BY	CHKD	DATE	COUNT	DESCRIPTION OF REVISIONS	BY	CHKD	DATE
△					△				
△					△				
△					△				

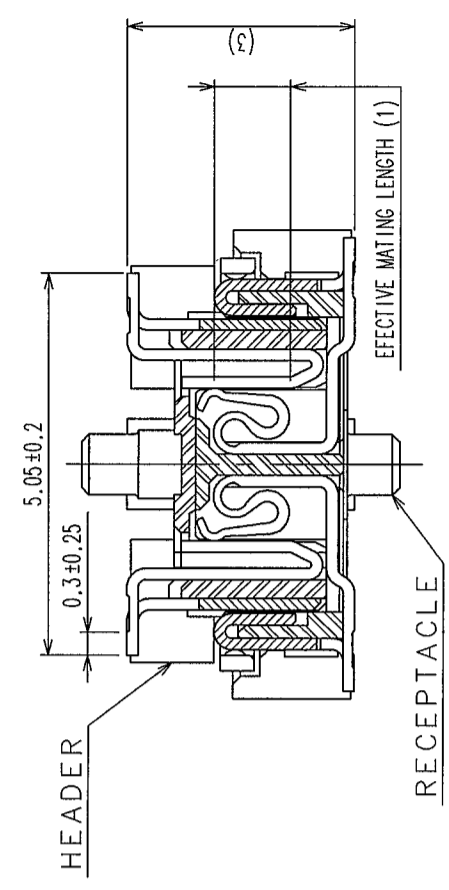


RECOMMENDED LAND PATTERN DIMENSION OF PCB

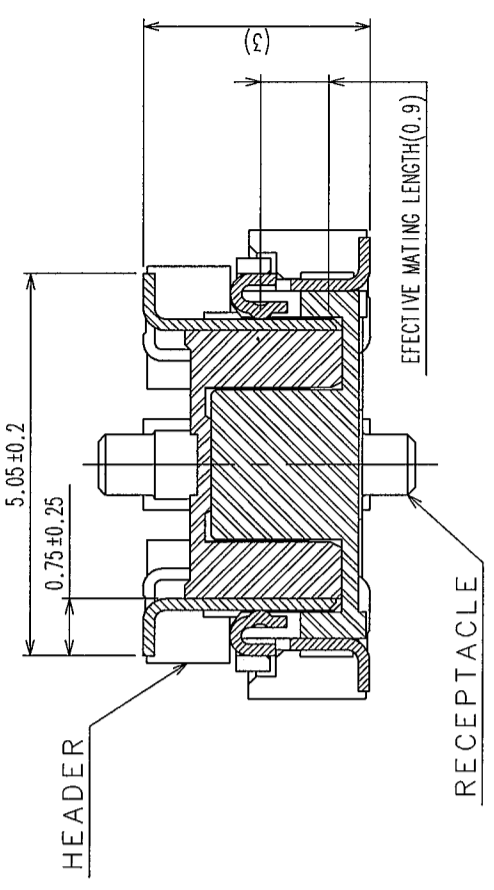


- NOTES
- 1 8 HATCHED PARTS: GROUND CIRCUIT.
 - 2 SMT LEAD-COPLANARITY: 0.1 MAX.
 - 3 THIS PRODUCT HAS NO POLARITY TO PATTERN FOR MOUNTING. MAKE SURE WIDTH OF PATTERN IS WITHIN THAT OF LAND, OR LEAD MAY TOUCH PATTERN. (THIS APPLIES TO HATCHED AREA.)
 - 4 DO NOT MOUNT OTHER DEVICES INSIDE □ AREA, OR MATING PAIR CANNOT BE MATED.
 - 5 DIMENSIONS IN PARENTHESES ARE FOR REFERENCE.

SIGNAL PORTION CROSS SECTION (10:1)



GROUND PORTION CROSS SECTION (10:1)



NO.	PHOSPHOR BRONZE	TIN PLATING	COPPER ALLOY	CONTACT AREA: GOLD 0.1mm min.		
3,4	LCP	BEIGE UL94V-0	2	MOUNTING AREA: GOLD FLASH		
NO.	MATERIAL	FINISH, REMARKS	NO.	MATERIAL	FINISH, REMARKS	
1						
CODE NO. (COLD)		CL	DESIGNED	CHECKED	APPROVED	RELEASED
DRAWN		T.NODA				
DATE		'05.09.22	DATE		'05.09.26	
DRAWING NO.		EDC3-152615-25	PART NO.		FX11A-80P/8-SVO.5(71)	
SCALE		5 : 1	CODE NO.		CL573-0603-7-71	
UNITS		mm	HIRESE ELECTRIC CO., LTD.		FORM NO.: 229	

TO