

RoHS COMPLIANT BY EXEMPTION

TABLE FOR PART NUMBERS

MOLEX PART#	FCT PART#	X-X	A [mm]	B [mm]	C [mm]	E* [mm]	F* [mm]	NO. OF CONTACTS 1./2./3. ROW	FORMERLY PART NO
1731130153	F09-15P135G0-5979	09-15	30.8	16.9	25	Ø 1.1	Ø 3	5/5/5	CT09-15P135-5805
1731130154	F15-26P135G0-5979	15-26	39.1	25.2	33.3			9/9/8	CT15-26P135-5805
1731130155	F25-44P135G0-5979	25-44	53	38.9	47.04			15/15/14	CT25-44P135-5805

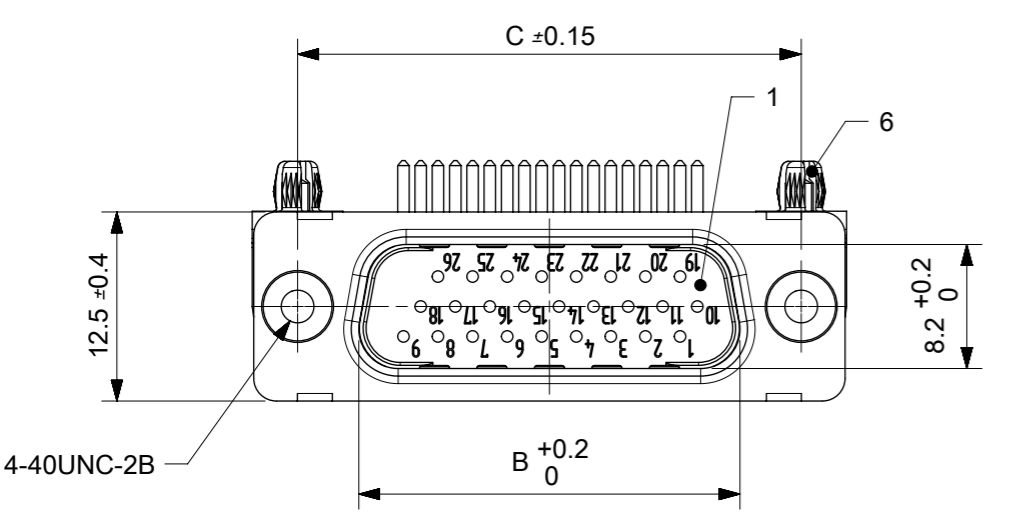
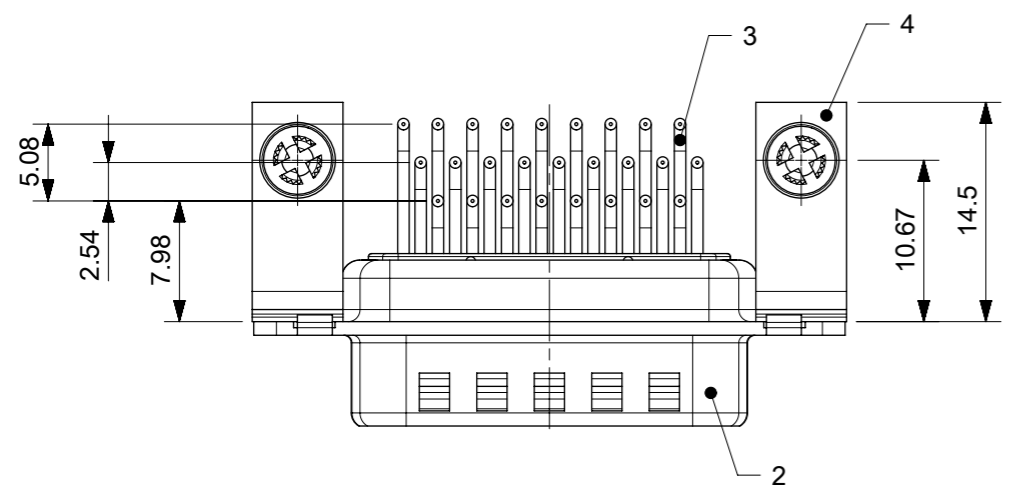
*PCB HOLE PATTERNS, ØE, ØF, ON SUPPLEMENT 1731131002

TABLE FOR GENERAL TOLERANCES

PERMISSIBLE DEVIATIONS FOR BASIC SIZE RANGE				
0.5 UPTO	OVER 3 UPTO	OVER 6 UPTO	OVER 30 UPTO	OVER 120 UPTO
3	6	30	120	400
±0.1	±0.1	±0.2	±0.3	±0.5

X-X NO. OF CONTACTS 09-15, 15-26, 25-44

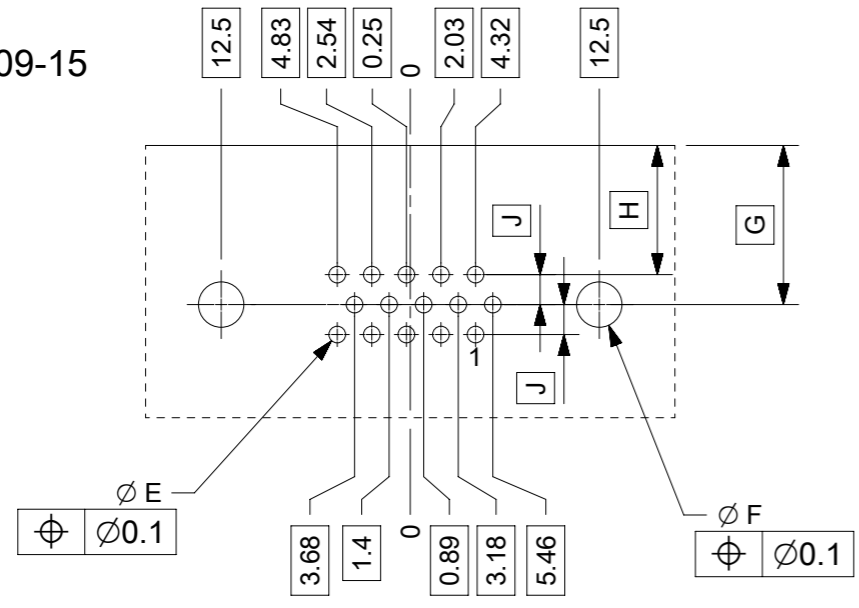
6	2	SNAP IN RIVET	PCB 1.6mm / BRASS	TIN PLATED
5	2	CLINCH NUT	MW 4-40 / BRASS	TIN PLATED
4	2	BRACKET	F1080-29 / STEEL	TIN PLATED
3	X-X	SIGNAL CONTACT, MACHINED	HP135 / BRASS	0.8µm Au
2	1	SHELL	STEEL	TIN PLATED
1	1	INSULATOR	THERMOPLASTIC, GF	BLACK
NO.	St.	PART	TYPE DESCRIPTION/MATERIAL	SURFACE PLATING/COLOUR/CLASS



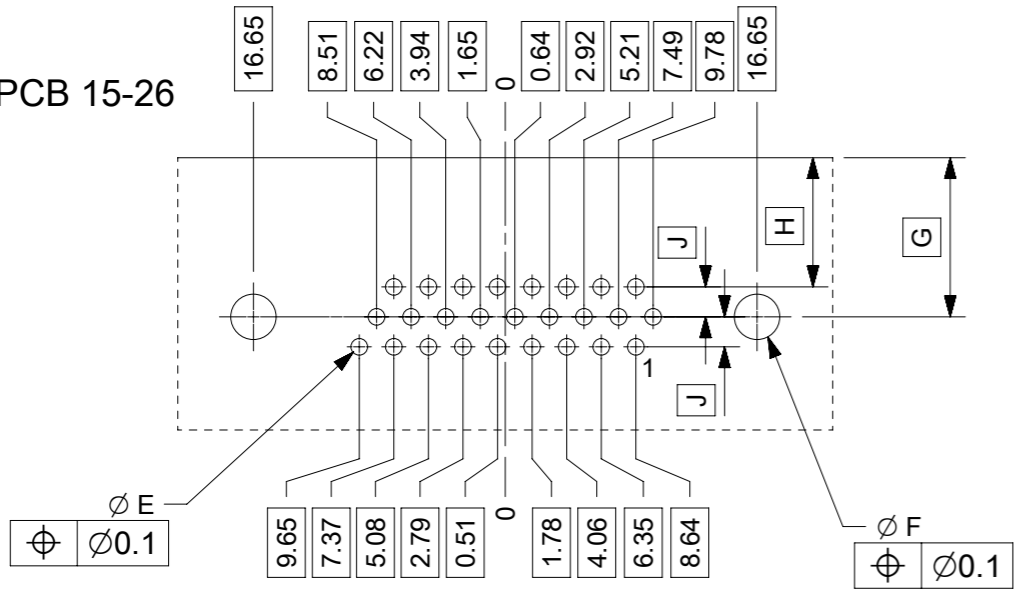
THIS DRAWING CONTAINS INFORMATION THAT IS PROPRIETARY TO MOLEX ELECTRONIC TECHNOLOGIES, LLC AND SHOULD NOT BE USED WITHOUT WRITTEN PERMISSION

QUALITY SYMBOLS ▽ = 0 ▽ = 0 ▽ = 0 ▽ = 0 ▽ = 0 ▽ = 0 ▽ = 0 ▽ = 0 ▽ = 0 ▽ = 0	DRAWING UPDATED EC NO: 121239 DRWN: ISHWARG CHK'D: KPRASAD APPR: KPRASAD	2017/08/30 2017/08/30	GENERAL TOLERANCES (UNLESS SPECIFIED)		DIMENSION UNITS	SCALE	
			ANGULAR TOL ± °		mm	2:1	
			4 PLACES ±	3 PLACES ±	DRWN BY	DATE	
			2 PLACES ±	1 PLACE ±	RLALSANGI	2017/04/14	
0 PLACES ±		3 PLACES ±	DATE	CHK'D BY	DATE	PRODUCT CUSTOMER DRAWING	
DRAFT WHERE APPLICABLE MUST REMAIN WITHIN DIMENSIONS		1 PLACE ±	DATE	ISHWARG	2017/06/07	SERIES	
A3		0 PLACES ±	DATE	ISHWARG	2017/06/07	MATERIAL NUMBER	
THIRD ANGLE PROJECTION		DRAWING SIZE		CUSTOMER		GENERAL MARKET	
A1		A3		173113		SEE TABLE	
REV		THIRD ANGLE PROJECTION		DOCUMENT NUMBER		DOC TYPE	
3		THIRD ANGLE PROJECTION		1731130153		PSD	
3		THIRD ANGLE PROJECTION		DOC PART		SHEET NUMBER	
3		THIRD ANGLE PROJECTION		000		1 OF 1	

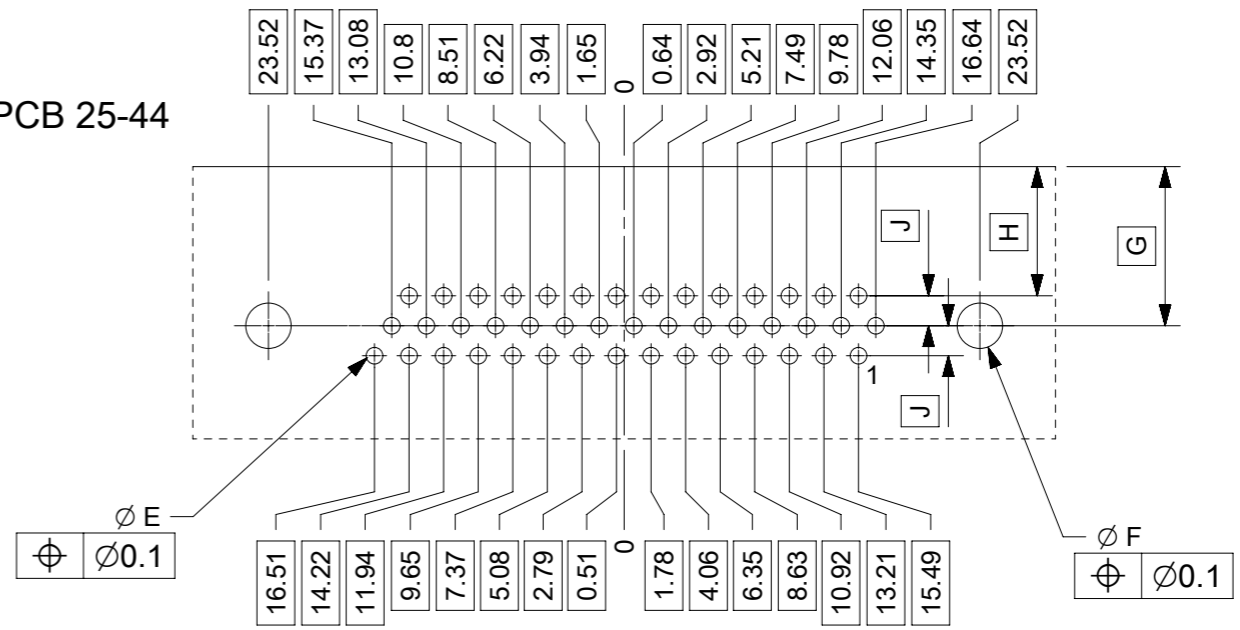
PCB 09-15



PCB 15-26



PCB 25-44



VIEW ON MOUNTING SIDE

ØE, ØF, G, H, J SEE DATA SHEET INCL. CONNECTOR
ØF, CONNECTORS WITH ACCESSORIES ONLY

THIS DRAWING CONTAINS INFORMATION THAT IS PROPRIETARY TO MOLEX ELECTRONIC TECHNOLOGIES, LLC AND SHOULD NOT BE USED WITHOUT WRITTEN PERMISSION

EC NO: 117803 DRWN: RLALSANGI CHK'D: ISHWARG APPR: ISHWARG	2017/05/12 2017/06/07 2017/06/07	GENERAL TOLERANCES (UNLESS SPECIFIED) ANGULAR TOL ± ° 4 PLACES ± 3 PLACES ± 2 PLACES ± 1 PLACE ± 0 PLACES ± DRAFT WHERE APPLICABLE MUST REMAIN WITHIN DIMENSIONS	DIMENSION UNITS MM	SCALE 1:1					
	DRWN BY RLALSANGI		DATE 2017/05/12	DRWING SIZE A3		THIRD ANGLE PROJECTION 	PCB HOLE PATTERN PIN HIGH-DENSITY CONNECTOR RIGHT ANGLED		
	CHK'D BY ISHWARG		DATE 2017/06/07	APPR BY ISHWARG		DATE 2017/06/07		PRODUCT CUSTOMER DRAWING	
	SERIES 173113		MATERIAL NUMBER NOT APPLICABLE	CUSTOMER GENERAL MARKET					
	DOCUMENT NUMBER 1731131002		DOC TYPE PSD	DOC PART 000		SHEET NUMBER 1 OF 1			