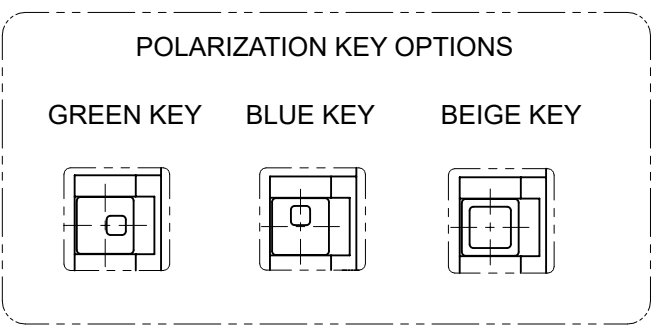
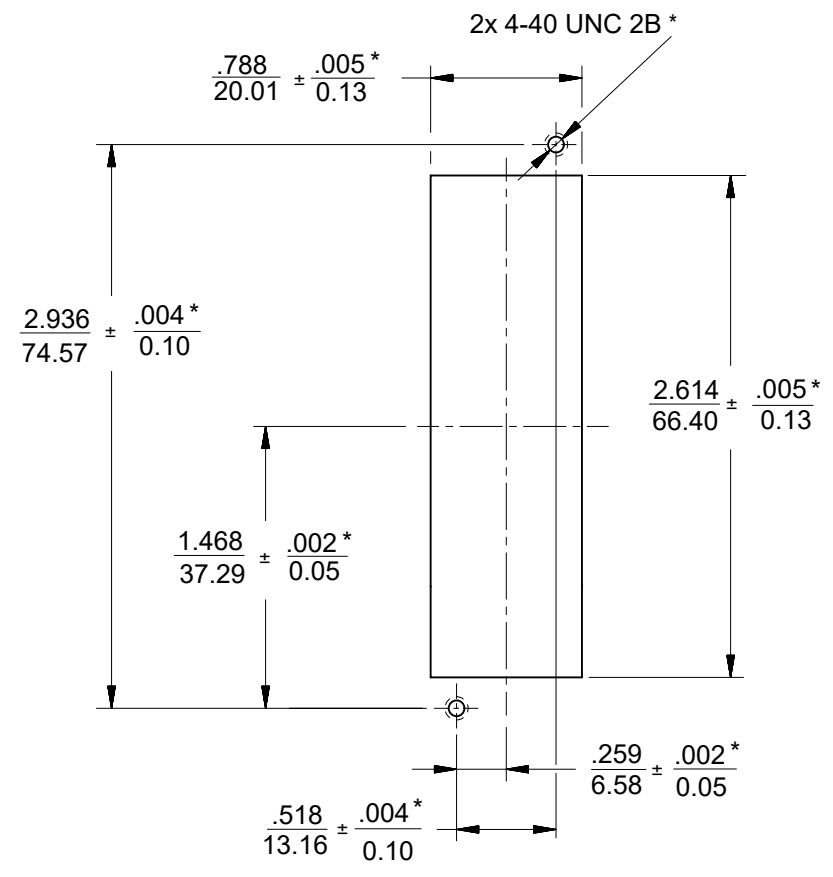
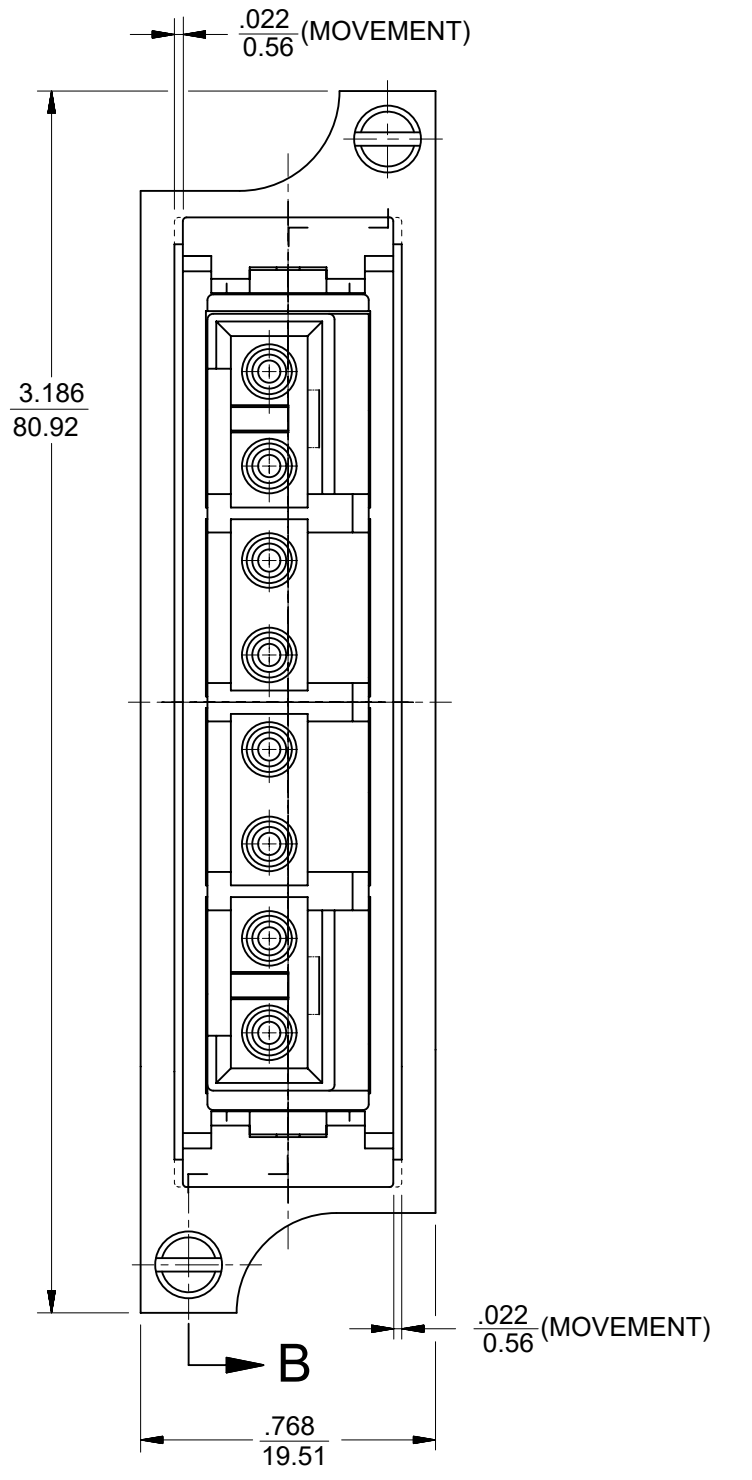
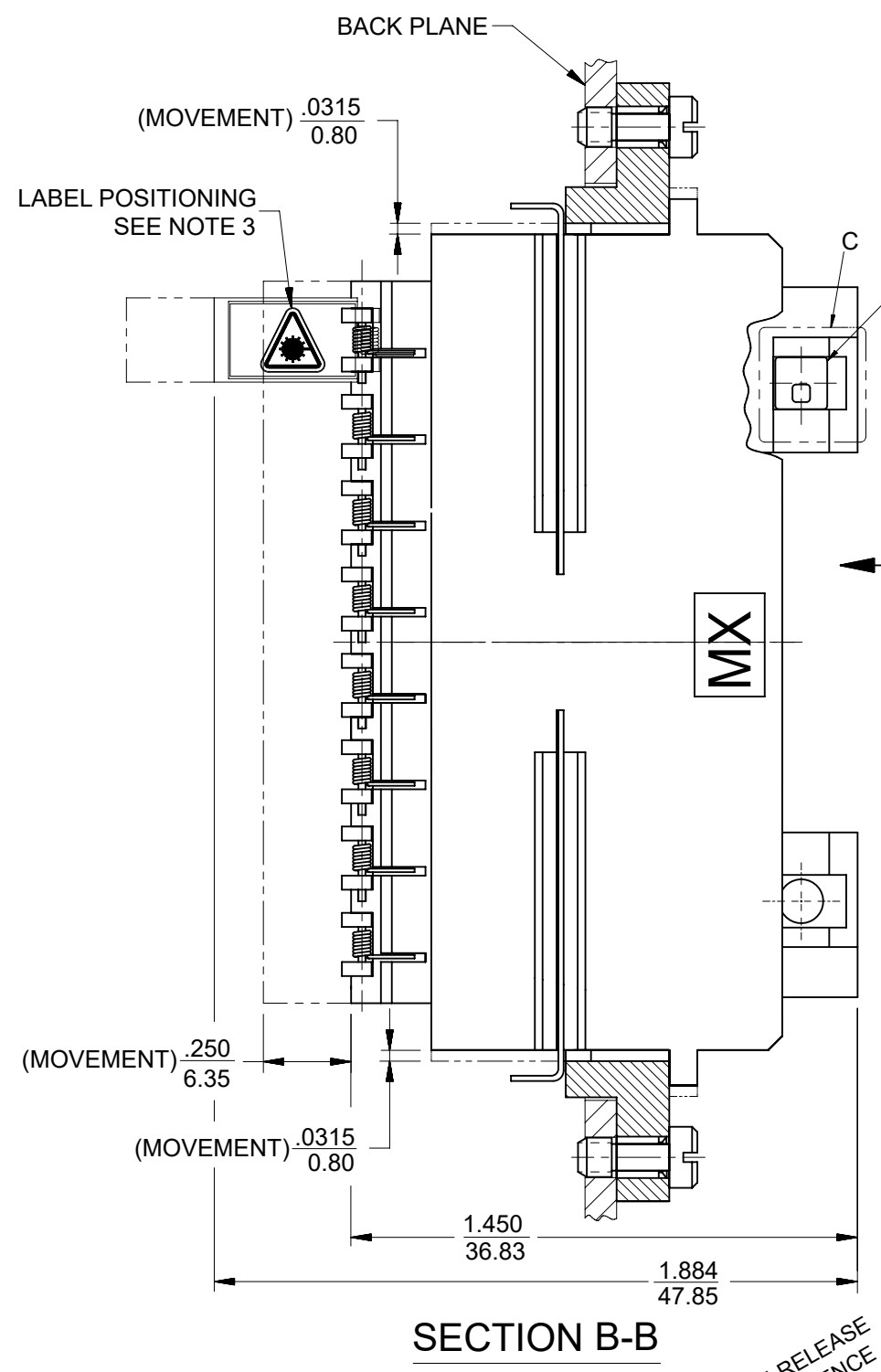


BLC ADAPTER P/N	SPLIT SLEEVE MATERIAL	COLOR
106146-0100	Ph. Bronze	BLACK
106146-1100	Zr	



- NOTES:
1. ALL DIM. ARE FOR REFERENCE ONLY, EXCEPT WHEN MARKED WITH (\*).
  2. POLARIZATION KEYS AND LABELS ARE PACKED UNASSEMBLED WITH ADAPTER ASSEMBLY IN POLY BAG.
  3. ADHESIVE LABELS TO BE POSITIONED ON LC DOORS BY USER. THE ORIENTATION OF THE LABELS SHOULD BE SUCH THAT THE LASER WARNING SYMBOL IS EASILY IDENTIFIED.



PRE-RELEASE  
REFERENCE  
USE ONLY

THIS DRAWING CONTAINS INFORMATION THAT IS PROPRIETARY TO MOLEX ELECTRONIC TECHNOLOGIES, LLC AND SHOULD NOT BE USED WITHOUT WRITTEN PERMISSION									
DIMENSION UNITS <b>IN/MM</b>		SCALE <b>2:1</b>		CURRENT REV DESC: REMOVED OBSOLETE PART NUMBER AS PER PCN#510806.				<b>molex</b>	
GENERAL TOLERANCES (UNLESS SPECIFIED)				EC NO: 733771					
				DRWN: SANTHN		2023/01/25		BLC ADAPTER ASSEMBLY (8 POSITION)	
				CHK'D: GGA		2023/02/24		PRODUCT CUSTOMER DRAWING	
				APPR: GGA		2023/02/24		DOCUMENT NUMBER	
				INITIAL REVISION:		2005/10/21		SD-106146-XX00	
				DRWN: PGIBLIN				PSD 001 B1	
				APPR:				SHEET NUMBER	
ANGULAR TOL ± 0.5°		THIRD ANGLE PROJECTION		DRAWING		SERIES		MATERIAL NUMBER	
DRAFT WHERE APPLICABLE MUST REMAIN WITHIN DIMENSIONS		B-SIZE		106146		SEE TABLE		CUSTOMER GENERAL MARKET	
								1 OF 1	