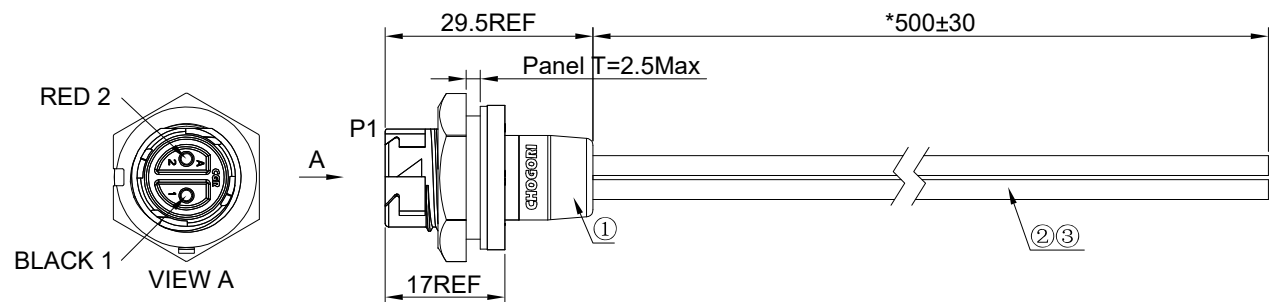
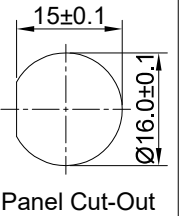


THIS INFORMATION IS CONFIDENTIAL AND IS DISCLOSED TO YOU ON CONDITION THAT NO FURTHER DISCLOSURE IS MADE BY YOU TO OTHER THAN CHOGORI PERSONNEL WITHOUT AUTHORIZATION FROM CHOGORI CORP.

1	2	3	4	5	6	7	8		
CUSTOMER No. :	REV. :	CATEGORY	IN LINE WITH THE TYPE	PAGE	REV. :	ECN&ECR No.	DESCRIPTION	DSN	DATE
			YES NO		C1	NA	Initial Drawing	XU	2022.07.18
		NEW ENERGY VEHICLE PRODUCTS							
		INDUSTRIAL PRODUCTS	√						
		RoHS	√						
		REACH							
		Halogen-Free							
		CALIFORNIA 65							



P/N: 22002635-01-001

SPECIFICATIONS:

- 1.INSULATION RESISTANCE : 10MΩ@500VDC/0.01S.
- 2.VOLTAGE RATING : 600V.
- 3.CURRENT RATING : 10A.
- 4.OPERATION TEMPERATURE : -10℃~+105℃.
- 5.WATERPROOF IPX7(MATED).
- 6.RoHS COMPLIANT.

3	900-00101-00087	A/C	M	UL1015 18AWG PVC 105℃ 600V RED OD2.8
2	900-00101-00032	A/C	M	UL1015 18AWG PVC 105℃ 600V BLACK OD2.8
1	22002635-01-001	1	PC	STANDARD SERIES 2PIN PANEL MOUNT WITH FEMALE PIN(4 LOCKS,MOLDING,-501)
ITEM	PART NO	QTY	UNIT	DESCRIPTION

MATERIAL OF BILL

UNIT: mm		DESCRIPTION: STANDARD SERIES 2PIN PANEL MOUNT WITH FEMALE PIN(4 LOCKS,MOLDING,-501) L=500MM
未注线性和角度尺寸公差 UNSPECIFIED TOLERANCE	SCALE: 1:1	SHEET: 1 OF 1
GB/T 1804-M	REV.: C1	SIZE: A4
		ASME Y14.5-2009

CHOGORI[®]
深圳乔合里科技股份有限公司

PART No.:	11C03622051305	DRAWN BY:	XU	TECHNICS:	
MATERIAL:		PROOFREADED BY:	Kevin	QUALITY:	
MOLD No.:		CHECKED BY:		APPROVED BY:	
		STANDARDISATION:			