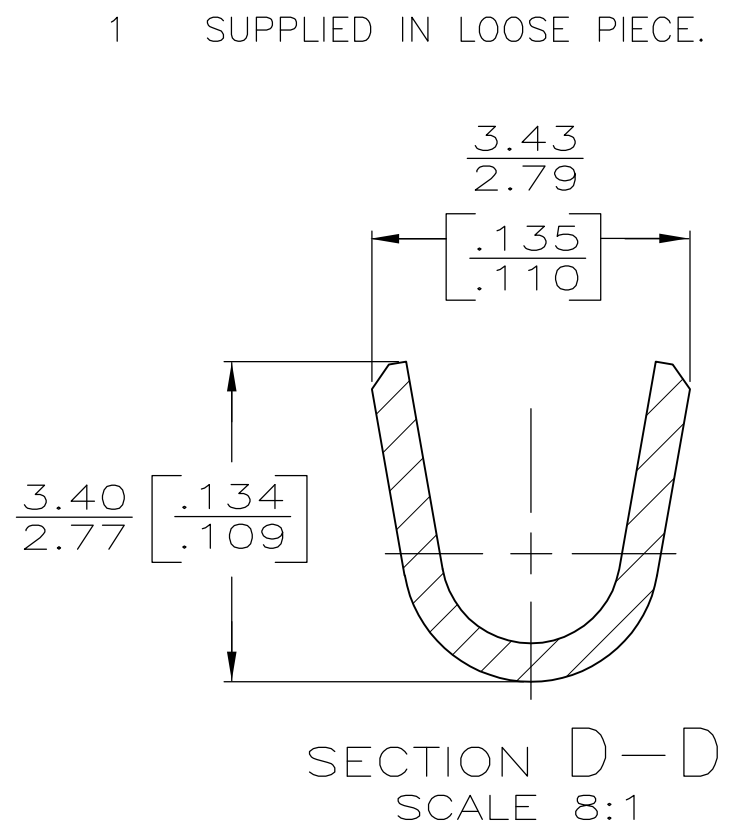
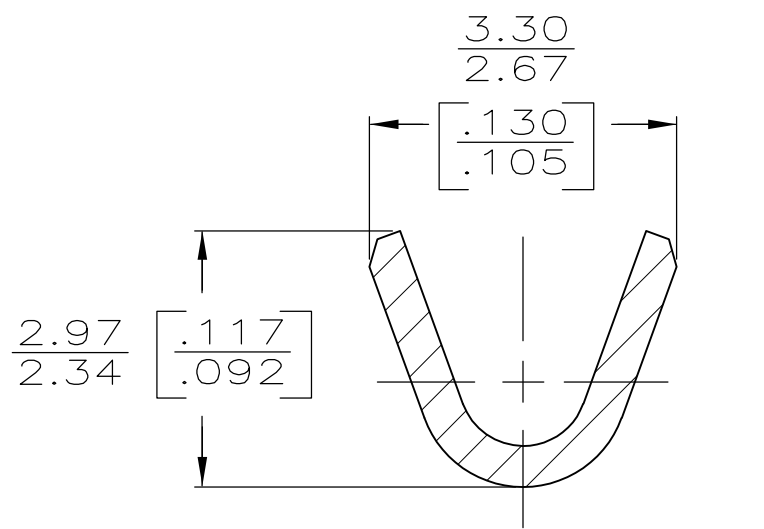
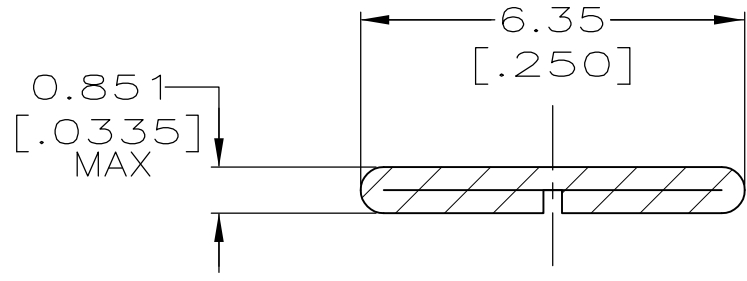
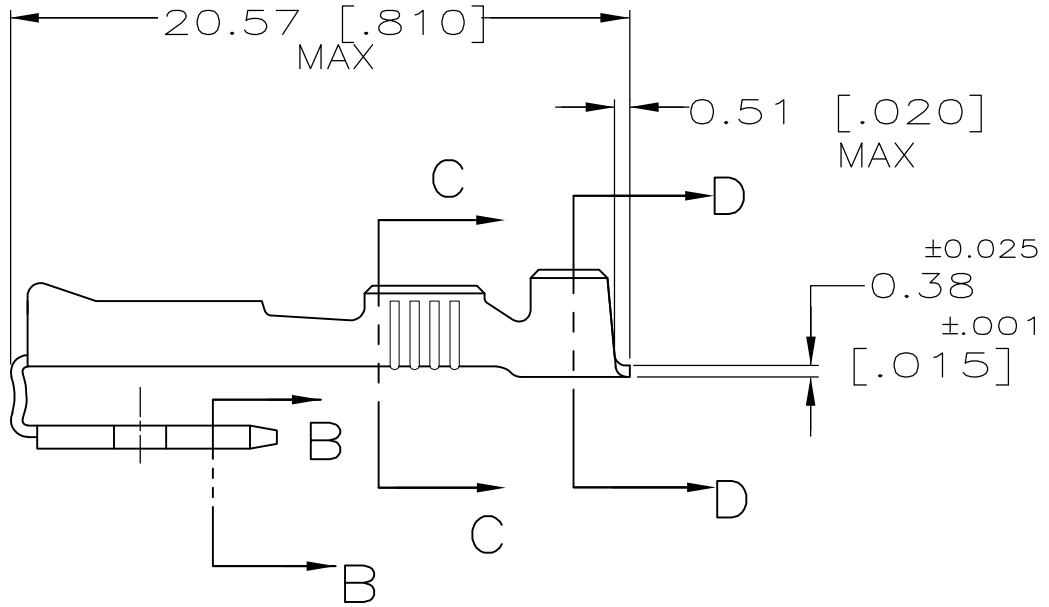


THIS DRAWING IS UNPUBLISHED. RELEASED FOR PUBLICATION
 © COPYRIGHT - By - ALL RIGHTS RESERVED.

| | | | | | | | |
|-----|------|-----------|-----|---------------------------|-----------|-----|------|
| LOC | DIST | REVISIONS | | | | | |
| AF | 50 | P | LTR | DESCRIPTION | DATE | DWN | APVD |
| | | A | | REVISED PER ECR-12-013459 | 27NOV2012 | KH | PD |



1 SUPPLIED IN LOOSE PIECE.

| | | |
|---------------|--------|----------|
| [#22-#18] AWG | TIN | 62274-1 |
| WIRE SIZE | FINISH | PART NO. |

| | | | | | | | | |
|---|-------|--------------|-------------|------------------|--|-----------|------------|---------------|
| THIS DRAWING IS A CONTROLLED DOCUMENT. | | DWN | JR RUTH | 11/17/93 | TE Connectivity RECEPTACLE, FASTON, 6.35 [.250] SERIES | | | |
| DIMENSIONS: mm [INCHES] | | CHK | MS FEHER | 11/17/93 | | | | |
| TOLERANCES UNLESS OTHERWISE SPECIFIED: | | APVD | J GILLESPIE | 11/17/93 | | | | |
| 0 PLC ± - 1 PLC ± - 2 PLC ± 0.25 [.010] 3 PLC ± - 4 PLC ± - ANGLES ± - | | PRODUCT SPEC | | NAME | | | | |
| MATERIAL | BRASS | FINISH | SEE TABLE | APPLICATION SPEC | SIZE | CAGE CODE | DRAWING NO | RESTRICTED TO |
| | | | | WEIGHT | - | A3 | 00779 | C-62274 |
| | | | | CUSTOMER DRAWING | SCALE | 4:1 | SHEET | 1 OF 1 |
| | | | | | | | REV | A |