

NOTES:

- MATERIAL:
METAL SHELL: BRASS
HOUSING: POLYAMIDE, GLASS FIBER FILLED, UL94 V-0, COLOR BLACK
INSERT: POLYAMIDE, GLASS FIBER FILLED, UL94 V-0, COLOR BLACK
TERMINAL: PHOSPHOR BRONZE
- PLATING:
TERMINAL:
CONTACT AREA: GOLD(Au), THICKNESS=50 MICROINCH/1.27 MICROMETER
SOLDER TAIL: TIN(Sn), THICKNESS=100 MICROINCH MINIMUM
UNDER PLATE: NICKEL (Ni).
- METAL SHELL:
SOLDER TAIL: TIN(Sn), THICKNESS=100 MICROINCH MINIMUM
UNDER PLATE: NICKEL (Ni), (SOLDERING AVAILABLE)
SURFACE APPEARANCE: BRIGHT.
- RECOMMENDED PCB THICKNESS: 1.60±0.05
- PRODUCT SPECIFICATION REFER TO PS-48025-005
- TEST SUMMARY REFER TO TS-48025-012
- PACKAGING SPECIFICATION REFER TO PK-48025-001
- LEAD FREE AND RoHS COMPLIANT PRODUCT.

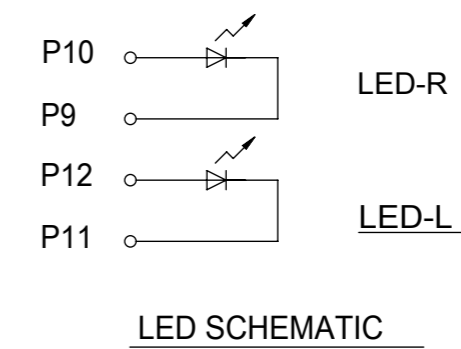
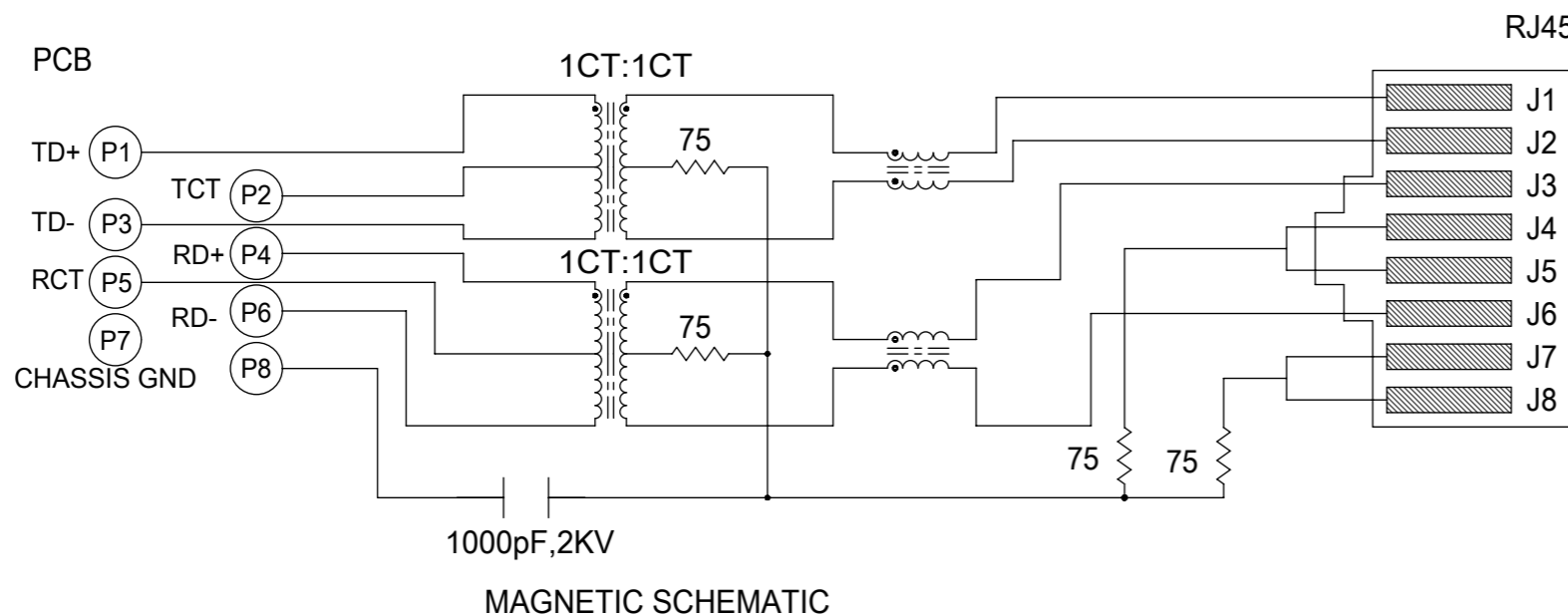
SYMBOLS	THIS DRAWING CONTAINS INFORMATION THAT IS PROPRIETARY TO MOLEX ELECTRONIC TECHNOLOGIES, LLC AND SHOULD NOT BE USED WITHOUT WRITTEN PERMISSION		CURRENT REV DESC:		molex		
	▽ = 0	mm	SCALE	2:1			
	▽ = 0	GENERAL TOLERANCES (UNLESS SPECIFIED)		EC NO: 637574		MODULAR JACK WITH INTEGRATED MAGNETICS WITH LED W/O EMI FINGER	
	▽ = 0	ANGULAR TOL ± 3.0°		DRWN: CCHEN103 2019/08/30		PRODUCT CUSTOMER DRAWING	
▽ = 0	4 PLACES ±		CHK'D: SHLENI 2020/05/28		DOCUMENT NUMBER		
▽ = 0	3 PLACES ±		APPR: SHLENI 2020/05/28		DOC TYPE		
▽ = 0	2 PLACES ± 0.25		INITIAL REVISION:		DOC PART		
▽ = 0	1 PLACE ± 0.25		DRWN: ALLIN 2006/12/06		REVISION		
▽ = 0	0 PLACES ±		APPR: WWSCHANG 2006/12/12		SD-48025-012		
■ = 0	DRAFT WHERE APPLICABLE MUST REMAIN WITHIN DIMENSIONS		THIRD ANGLE PROJECTION	DRAWING	SERIES	MATERIAL NUMBER	CUSTOMER
▽ = 0			⊕	A3-SIZE	48025	48025-1091	GENERAL MARKET
					SHEET NUMBER		
					1 OF 2		

MAGNETIC ELECTRICAL SPECIFICATIONS:

- 1.0 TURNS RATIO:(P4-P5-P6):(J3-J6):1CT:1CT
(P3-P2-P1):(J1-J2):1CT:1CT
- 2.0 INDUCTANCE:(P4-P6):350uH MIN. @0.1V,100KHz,8mA DC Bias.
(P3-P1):350uH MIN. @0.1V,100KHz,8mA DC Bias.
- 3.0 LEAKAGE INDUCTANCE:P6-P5-P4(WITH J6 AND J3 SHORT):0.3 MAX.@1MHz.
P3-P2-P1(WITH J2 AND J1 SHORT):0.3 MAX.@1MHz.
- 4.0 INTERWINDING CAPACITANCE:(P6,P5,P4) TO (J6,J3):30pf MAX @1MHz.
(P3,P2,P1) TO (J2,J1):30pf MAX @1MHz.
- 5.0 DC RESISTANCE:(J6-J3)=(J2-J1):1.3 ohms Max.
- 6.0 RETURN LOSS:(P4-P6)(P1-P3)
1MHz TO 30MHz:18dB min.
30MHz TO 80MHz:12dB min.
- NOTE:100 OHMS CONNECTED TO (J2-J1) OR (J3-J6).
- 7.0 HI-POT:(J1,J2) TO (P1,P3):1500 VAC OR 2250 VDC.
(J3,J6) TO (P4,P6):1500 VAC OR 2250 VDC.
- 8.0 INSERTION LOSS:1.1 dB MAX.
100KHz TO 100MHz.
- 9.0 CROSS TALK:1-100 MHz:30 dB MIN.
- 10.0 COMMON TO COMMON MODE REJECTION:1MHz TO 100MHz:35 dB MIN.

LED ELECTRICAL SPECIFICATION

PARAMETER	GREEN (TYP.)	UNITS	TEST CONDITIONS
POWER DISSIPATION	105	mW	
REVERSE VOLTAGE	5	V	
PEAK WAVELENGTH	565	nm	IF=20mA
FORWARD VOLTAGE	2.2 MAX.=2.5	V	IF=20mA



SYMBOLS DIMENSION UNITS: mm SCALE: 1:1 GENERAL TOLERANCES (UNLESS SPECIFIED): ANGULAR TOL ± 3.0° 4 PLACES ± 3 PLACES ± 2 PLACES ± 0.25 1 PLACE ± 0.25 0 PLACES ± DRAFT WHERE APPLICABLE MUST REMAIN WITHIN DIMENSIONS THIRD ANGLE PROJECTION	THIS DRAWING CONTAINS INFORMATION THAT IS PROPRIETARY TO MOLEX ELECTRONIC TECHNOLOGIES, LLC AND SHOULD NOT BE USED WITHOUT WRITTEN PERMISSION		CURRENT REV DESC: EC NO: 637574 DRWN: CCHEN103 2019/08/30 CHK'D: SHLENI 2020/05/28 APPR: SHLENI 2020/05/28			
	INITIAL REVISION: DRWN: ALLIN 2006/12/06 APPR: WWSCHANG 2006/12/12		PRODUCT CUSTOMER DRAWING			
	DOCUMENT NUMBER: SD-48025-012		DOC TYPE: PSD	DOC PART: 001	REVISION: C1	2 OF 2
	MATERIAL NUMBER: 48025-1091		CUSTOMER: GENERAL MARKET			