

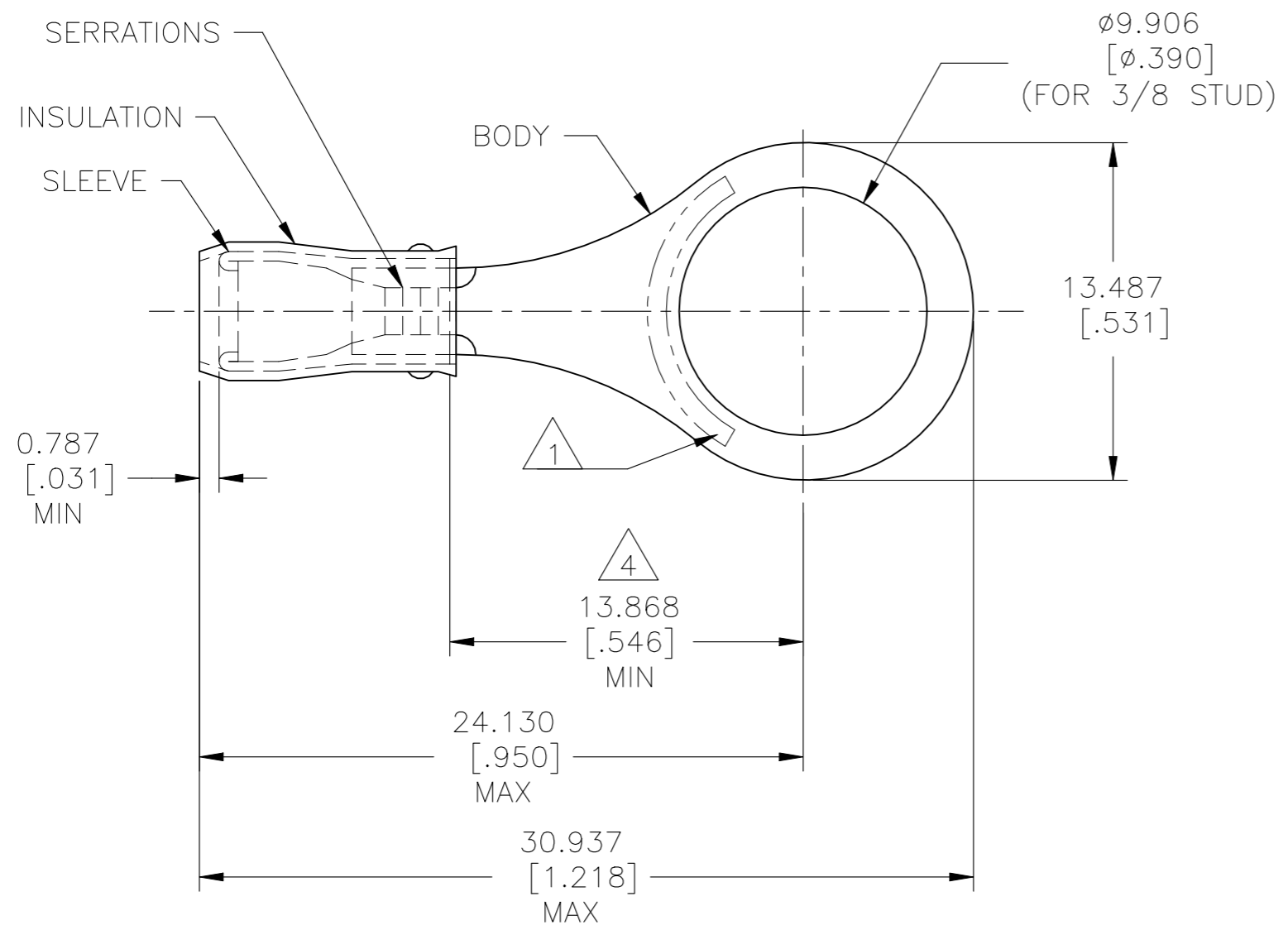


THIS DRAWING IS UNPUBLISHED. RELEASED FOR PUBLICATION
 © COPYRIGHT - By - ALL RIGHTS RESERVED.

REVISIONS				
P	LTR	DESCRIPTION	DATE	APVD
	Y4	REVISED PER ECN-22-156403	03JUN2022	RK CSD

AMP WIRE RANGE	 E13288 Listed	 LR7189 Certified
22-16 AWG SOLID OR STRANDED	22-16 AWG STRANDED	22-16 AWG SOLID OR STRANDED



- 1 STAMP AMP 22-18* LOCATE APPROX AS SHOWN 22-16 TERMINALS ARE STAMPED 22-18 IN ACCORDANCE WITH MILITARY SPEC SAE AS7928 COMMERCIAL WIRE RANGE IS 22-16.
- 2 WIRE INSUL : $\phi 2.032[\phi .080]-\phi 3.175[\phi .125]$.
- 3 BODY MATERIAL THK: $0.787\pm 0.051[.031\pm .002]$.
- 4 APPLIES FROM EDGE OF METAL WIRE BARREL TO CENTER OF STUD HOLE.
- 5 UL LISTED
- 6 CSA CERTIFIED

5 6	5 6	5 6	5 6
MILITARY P/N AND CLASS	QUANTITY	PACKAGE TYPE	PART NO
-	5000	ON TAPE	2-320573-4
MS 25036-105 CLASS 1	1000	LOOSE PIECE	320573

AMP INCORPORATED
CUSTOMER SERVICE SYSTEMS

FOR ADDITIONAL PRODUCT INFORMATION OR COPIES OF DRAWINGS AND TECHNICAL DOCUMENTS
 PRODUCT INFORMATION CENTER
 1-800-522-6752

FOR APPLICATION TOOLING INFORMATION
 TOOLING ASSISTANCE CENTER
 1-800-722-1111

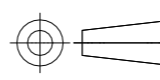
FOR ORDER ENTRY
 1-800-526-5142

MAX RECOMMENDED OPERATING TEMPERATURE:
 105°C[221°F] MAX

VOLTAGE RATING:
 300 V MAX

CIRCULAR MIL AREA:
 0.26-1.65mm (509-3,260) CIR MILS
 SOLID OR STRANDED

THIS DRAWING IS A CONTROLLED DOCUMENT.

DIMENSIONS: mm [INCHES]	TOLERANCES UNLESS OTHERWISE SPECIFIED:
	0 PLC ± -
	1 PLC ± -
	2 PLC ± -
	3 PLC ± 0.127[.005]
	4 PLC ± -
	ANGLES ± -

MATERIAL: BODY & SLEEVE COPPER PER ASTM B-152 INSULATION: NYLON

FINISH: BODY & SLEEVE TIN PLATE PER ASTM B 545 INSULATION: COLOR-RED

DWN DK SCHRUM 9/93
 CHK RE HERSEY 9/93
 APVD ML ELLIS 9/93

STE TE Connectivity

NAME: TERMINAL, RING TONGUE, PIDG™, WIRE SIZE, 22-16 AWG

PRODUCT SPEC: UL 486 A-B 5

APPLICATION SPEC: 114-2157


WEIGHT: -

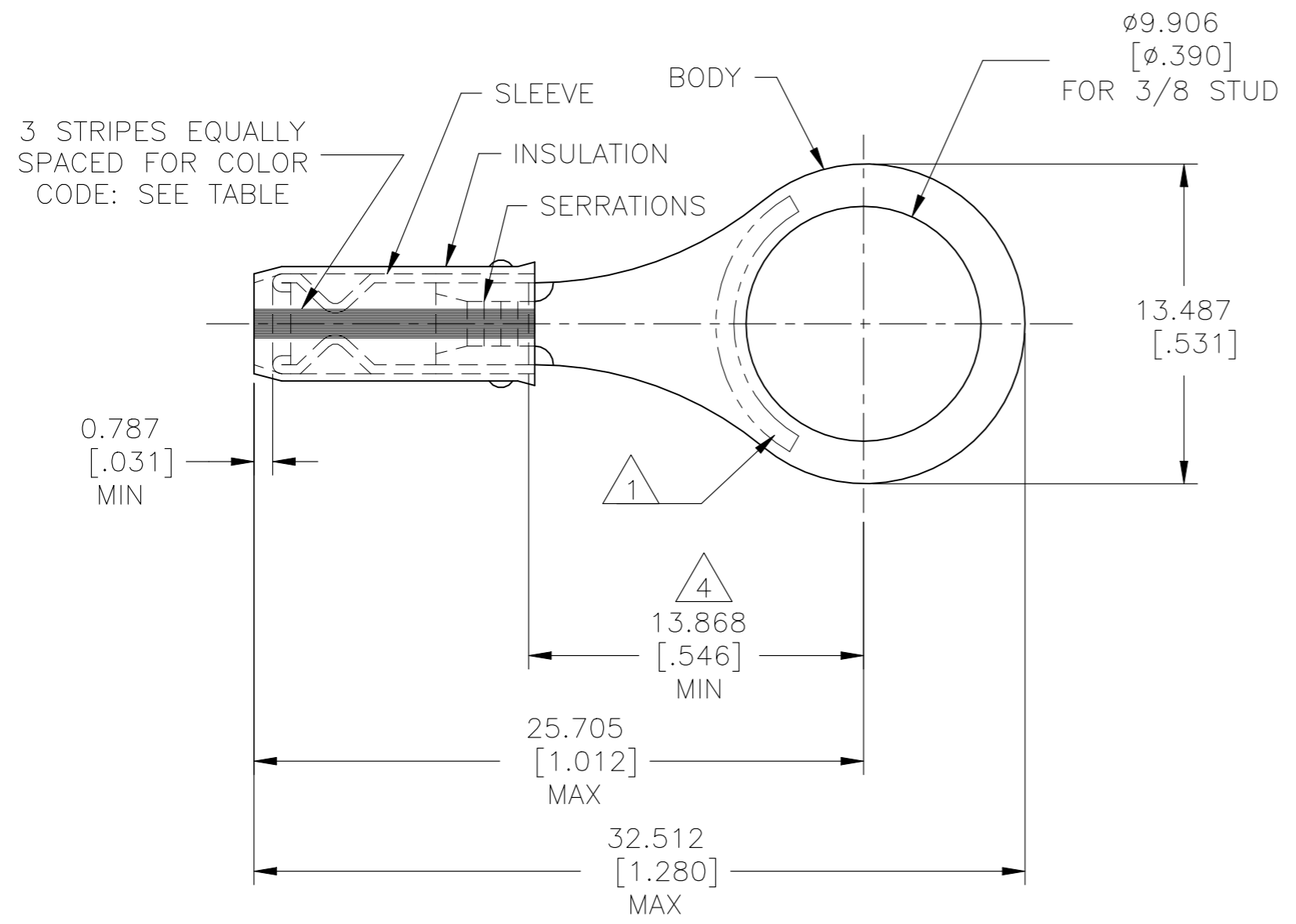
SIZE: A3 CAGE CODE: 00779 DRAWING NO: C-320573 RESTRICTED TO: -

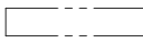
CUSTOMER DRAWING SCALE: 4:1 SHEET: 1 OF 2 REV: Y4

THIS DRAWING IS UNPUBLISHED. RELEASED FOR PUBLICATION
 © COPYRIGHT - By - ALL RIGHTS RESERVED.


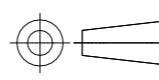
REVISIONS					
P	LTR	DESCRIPTION	DATE	DWN	APVD
-	-	SEE SHEET 1	-	-	-

AMP WIRE RANGE	 LR7189 Certified
SEE TABLE STRANDED	WIRE SIZE PER TABLE STRANDED



- 1 STAMP AMP  LOCATE APPROX AS SHOWN SEE TABLE BELOW.
- 2 WIRE INSULATION : $\phi 0.965-2.794[\phi 0.038-.110]$ FOR 22 AWG.
 $\phi 1.168-2.794[\phi 0.046-.110]$ FOR 20 AWG.
 $\phi 1.422-2.794[\phi 0.056-.110]$ FOR 18 AWG.
- 3 BODY MATERIAL THK: $0.787 \pm 0.051[.031 \pm .002]$.
- 4 APPLIES FROM EDGE OF METAL WIRE BARREL TO CENTER OF STUD HOLE.
- 5 CSA CERTIFIED

5	M7928/1-36 CLASS 1	WHITE	18*	18	1000	LOOSE PIECE	2-320573-3	
5	M7928/1-27 CLASS 1	RED	20*	20			2-320573-2	
5	M7928/1-18 CLASS 1	GREEN	22*	22			2-320573-1	
	MILITARY P/N AND CLASS	STRIPE COLOR	1	STAMPING	WIRE SIZE	QTY	PACKAGE TYPE	PART NO

AMP INCORPORATED CUSTOMER SERVICE SYSTEMS		MAX RECOMMENDED OPERATING TEMPERATURE: 105°C[221°F] MAX		THIS DRAWING IS A CONTROLLED DOCUMENT.		DWN DK SCHRUM 9/93		 TE Connectivity			
FOR ADDITIONAL PRODUCT INFORMATION OR COPIES OF DRAWINGS AND TECHNICAL DOCUMENTS		VOLTAGE RATING: 300 V MAX		DIMENSIONS: mm [INCHES]		CHK RE HERSEY 9/93					
PRODUCT INFORMATION CENTER 1-800-522-6752		WIRE RANGE: CIRC MIL AREA				APVD ML ELLIS 9/93		SIZE A3			
TOOLING ASSISTANCE CENTER 1-800-722-1111		22 0.38mm²[754]				TOLERANCES UNLESS OTHERWISE SPECIFIED:					
TOOLING INFORMATION 1-800-722-1111		20 0.60mm²[1,186]		0 PLC ± -		APPLICATION SPEC 114-2157		RESTRICTED TO -			
FOR ORDER ENTRY 1-800-526-5142		18 0.96mm²[1,900]		1 PLC ± -		WEIGHT -					
		STRANDED		2 PLC ± -		CUSTOMER DRAWING		SHEET 2 OF 2			
				3 PLC ± 0.127[.005]							
				4 PLC ± -							
				ANGLES ± -							
				FINISH							
				BODY & SLEEVE COPPER PER ASTM B-152 INSULATION: NYLON		BODY & SLEEVE TIN PLATE PER ASTM B 545 INSULATION: COLOR-RED					