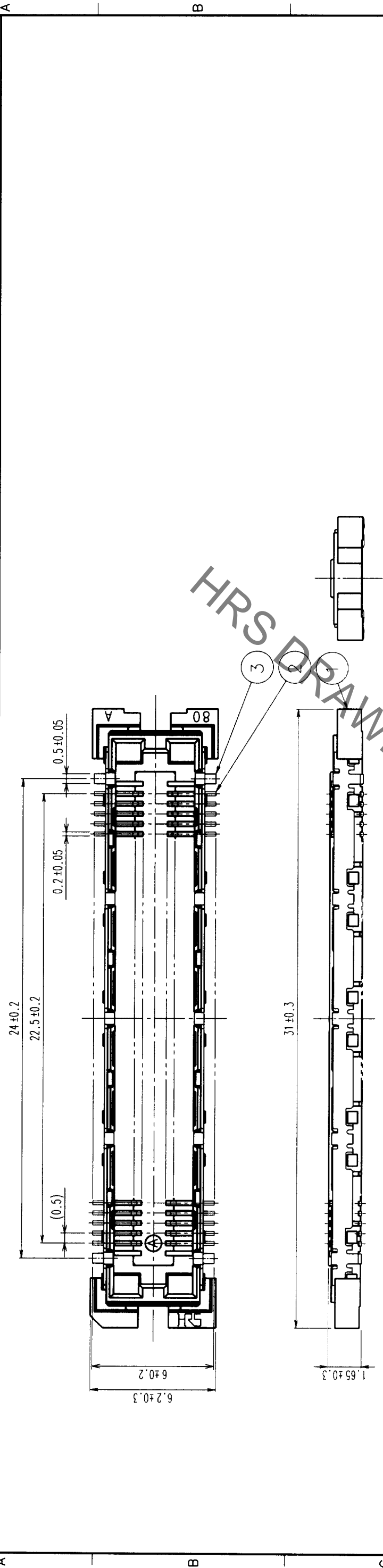
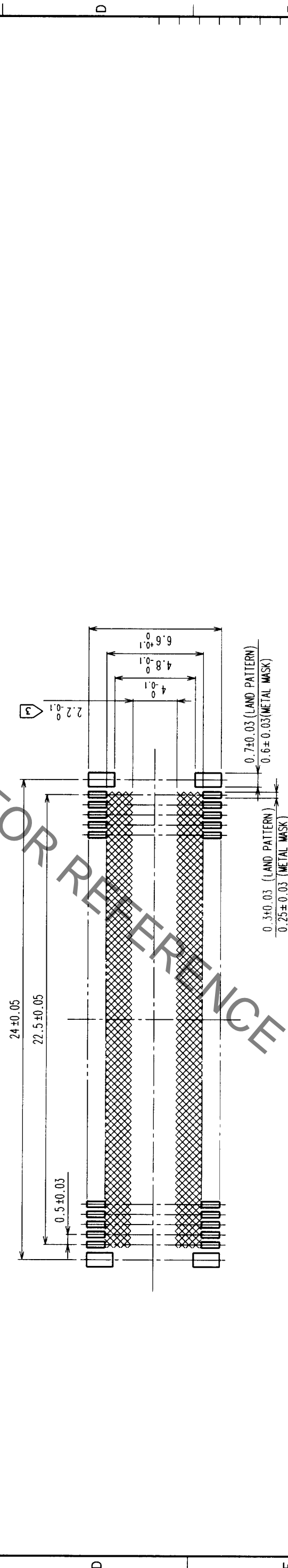


7	8
COUNT DESCRIPTION OF REVISIONS BY CHKD DATE	COUNT DESCRIPTION OF REVISIONS BY CHKD DATE

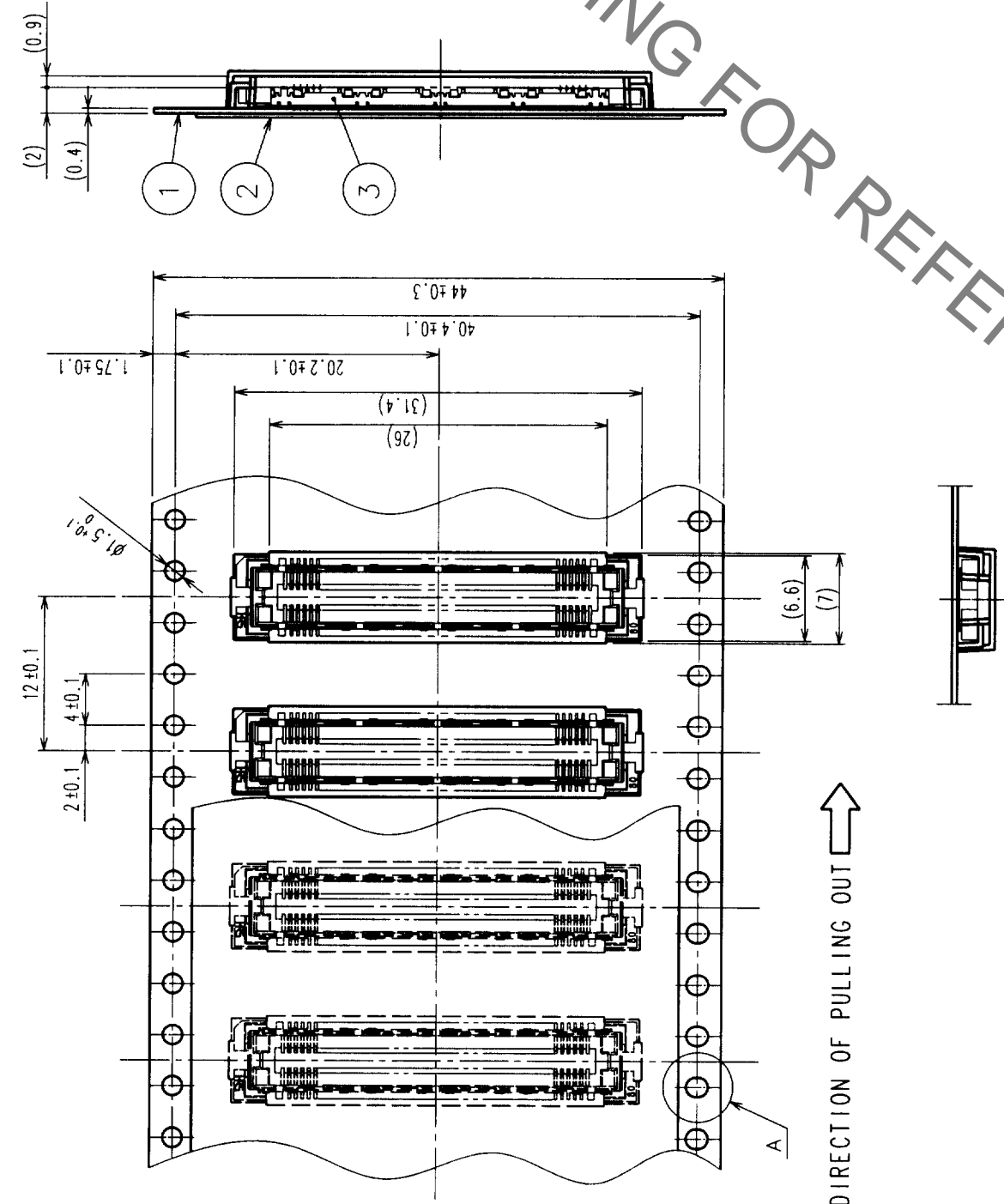


RECOMMENDED LAND PATTERN DIMENSION OF PCB

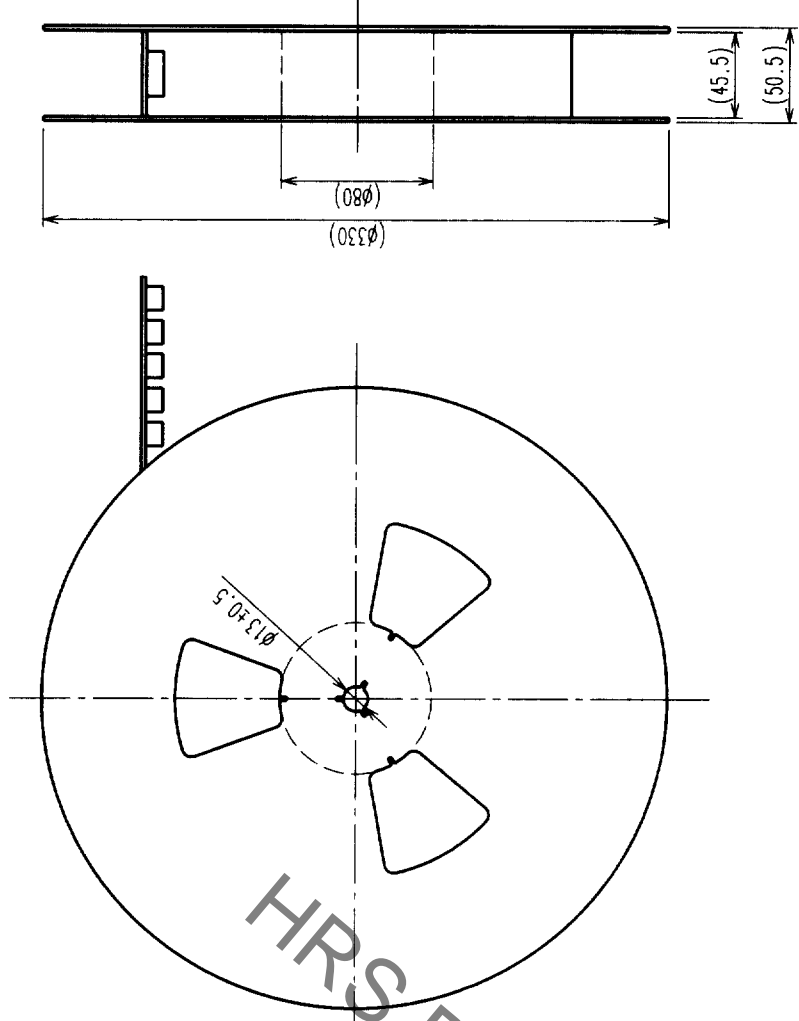


- NOTES
- SMT LEAD-COPLANARITY: 0.1 MAX.
 - THIS PRODUCT HAS NO POLARITY TO PATTERN FOR MOUNTING.
 - MAKE SURE WIDTH OF PATTERN IS WITHIN THAT OF LAND OR LEAD MAY TOUCH PATTERN. (THIS APPLIES TO HATCHED AREA.)
 - TO BE EMBOSSED CARRIER TAPED AS SPECIFIED IN SHEET 2.

2	PHOSPHOR BRONZE	CONTACT AREA: GOLD (0.1µm) OVER NICKEL
1	LCP	LEAD: GOLD FLASH OVER NICKEL
NO.	MATERIAL	FINISH, REMARKS
3	PHOSPHOR BRONZE	TIN PLATED
CODE NO. (OLD)	CL	DRAWN
		CHECKED
		DESIGNED
		APPROVED
		RELEASED
DRAWING NO.	EDC3-152121-01	PART NO.
SCALE	5 : 1	FX11LB-92S-SV (21)
UNITS	mm	CODE NO.
		CL573-0153-2-21
		1/2



REELED DIMENSION (Free)



HRS DRAWING FOR REFERENCE

A (5:1)

- NOTES
- 1 REEL: 1000 CONNECTORS.
 - 2 MINIMUM 10 COMPARTMENTS FROM BOTH REEL ENDS REMAIN EMPTY.
 - 3 THIS PRODUCT HAS NO POLARITY TO TAPE AND REEL PACKAGING.

COUNT	DESCRIPTION OF REVISIONS	BY	CHKD	DATE	COUNT	DESCRIPTION OF REVISIONS	BY	CHKD	DATE
△					△				
△					△				
△					△				

2	PET	TOP COVER TAPE	3	(CONNECTOR)	FINISH	REMARKS	
1	PS	EMBOSSED CARRIER TAPE	3				
NO.	MATERIAL	FINISH	REMARKS	NO.	MATERIAL	FINISH	REMARKS
CODE NO. (OLD)	CL			DESIGNED	CHECKED	APPROVED	RELEASED
DRAWING FOR PACKING		DRAWN		DESIGNED		APPROVED	
		99.6.25		Mitsubishi		J. Profumo	
		99.6.25		99.6.25		99.10.26	
DRAWING NO.		PART NO.		FINISH <td colspan="2">REMARKS</td>		REMARKS	
EDC3-152121-01		FX11LB-92S-SV(21)					
SCALE	2 : 1	HIROSE ELECTRIC CO., LTD		CODE NO.		CL573-0153-2-21	
UNITS	mm					2	

TO	
PCK	