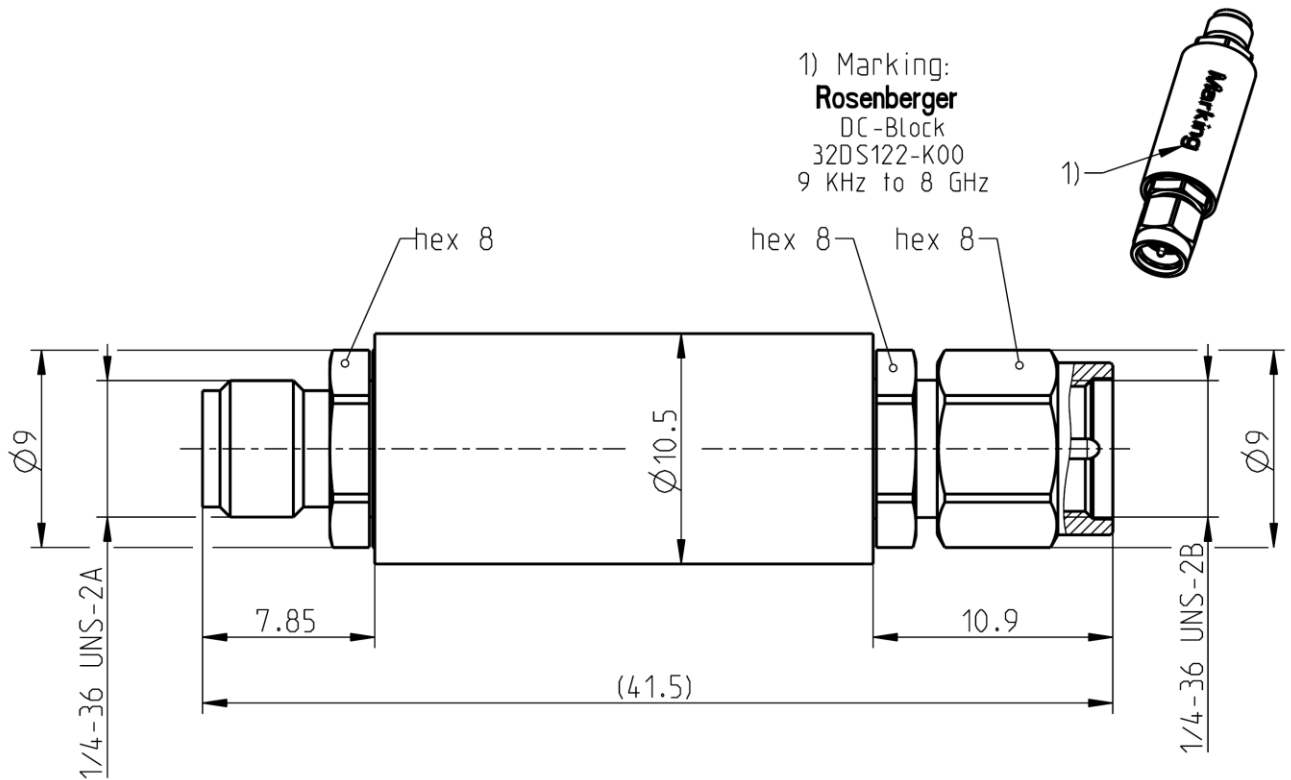


SMA

DC-Block  
plug - jack

**32DS122-K00L5**



All dimensions are in mm; tolerances according to ISO 2768 m-H

**Interface**

according to

IEC 60169-15, EN 122110, MIL-STD-348A, Fig. 310

**Documents**

N/A

**Material and Plating**

**Connector parts**

Center contact  
Outer contact  
Dielectric  
Coupling nut  
Gasket

**Material**

CuBe  
Brass  
PTFE  
Stainless steel  
Silicone

**Plating**

AuroDur®, gold plated  
AuroDur®, gold plated  
Passivated

SMA

DC-Block  
plug - jack

**32DS122-K00L5**

**Electrical Data**

Impedance 50 Ω  
 Frequency 9 KHz to 8 GHz  
 Return loss ≥ 25 dB, 9 KHz to 1 GHz  
 ≥ 18 dB, 1 GHz to 4 GHz  
 ≥ 15 dB, 4 GHz to 8 GHz  
 Insertion loss ≤ 1.5 dB, 9 KHz to 8 GHz  
 Insulation resistance ≥ 5 GΩ  
 Working voltage (at sea level) 50 Vdc max.  
 Capacity 2.2 μF  
 Block type Center contact only

**Mechanical Data**

Mating cycles ≥ 500  
 Center contact captivation: axial ≥ 20 N  
 radial ≥ 1 Ncm  
 Coupling test torque ≤ 1.7 Nm  
 Recommended torque 0.8 Nm to 1.1 Nm

**Environmental Data**

Temperature range -45 °C to +85 °C  
 Thermal shock MIL-STD-202, Method 107, Condition B  
 Corrosion resistance MIL-STD-202, Method 101, Condition B  
 Vibration MIL-STD-202, Method 204, Condition D  
 Shock MIL-STD-202, Method 213, Condition I  
 Moisture resistance MIL-STD-202, Method 106  
 RoHS compliant

**Tooling**

N/A

**Suitable Cables**

N/A

**Weight**

16.6 g/pce

While the information has been carefully compiled to the best of our knowledge, nothing is intended as representation or warranty on our part and no statement herein shall be construed as recommendation to infringe existing patents. In the effort to improve our products, we reserve the right to make changes judged to be necessary.

For the installation of the electrotechnical equipment, particular electrotechnical expertise is required.



Draft	Date	Approved	Date	Rev.	Engineering change number	Name	Date
Martin Moder	15.10.2010	M. Moder	16.02.23	e00	23-0276	T. Börgerding	16.02.23

Rosenberger Hochfrequenztechnik GmbH & Co. KG P.O.Box 1260 D-84526 Tittmoning Germany <a href="http://www.rosenberger.com">www.rosenberger.com</a>				Tel. : +49 8684 18-0 Email : <a href="mailto:info@rosenberger.com">info@rosenberger.com</a>		Page 2 / 2
--	--	--	--	--	--	---------------