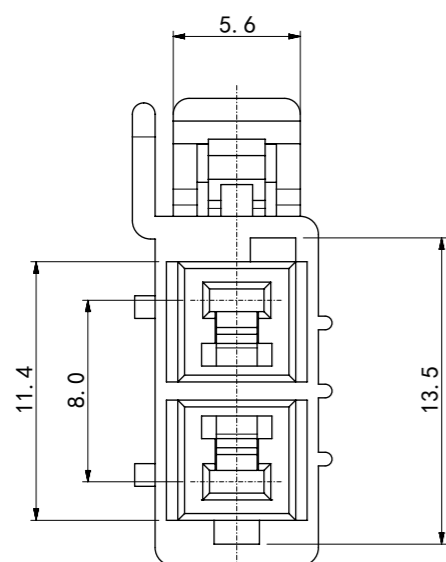
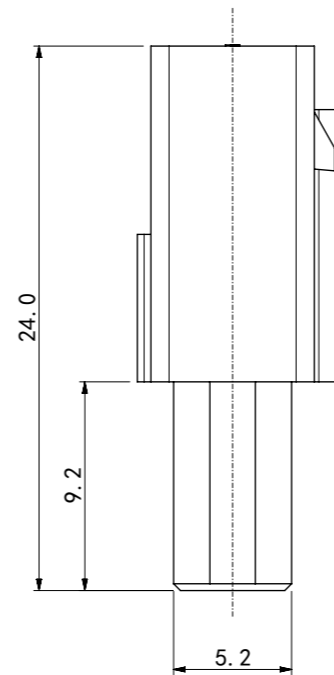
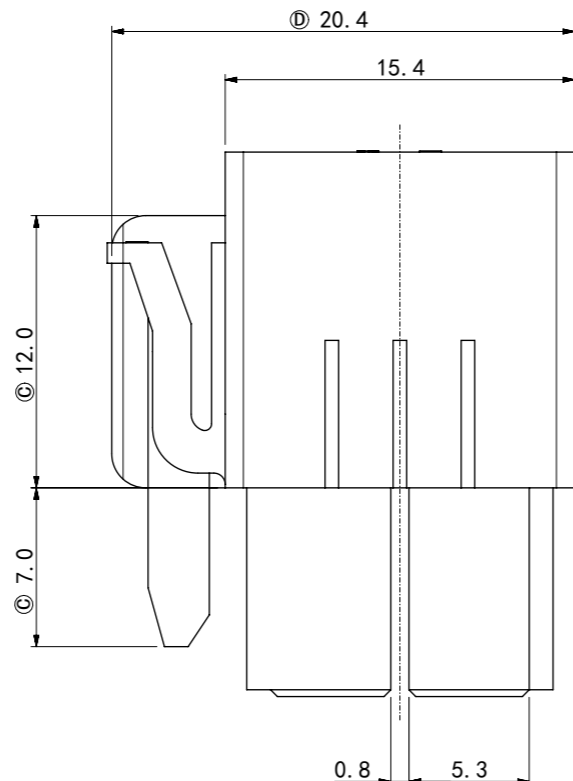
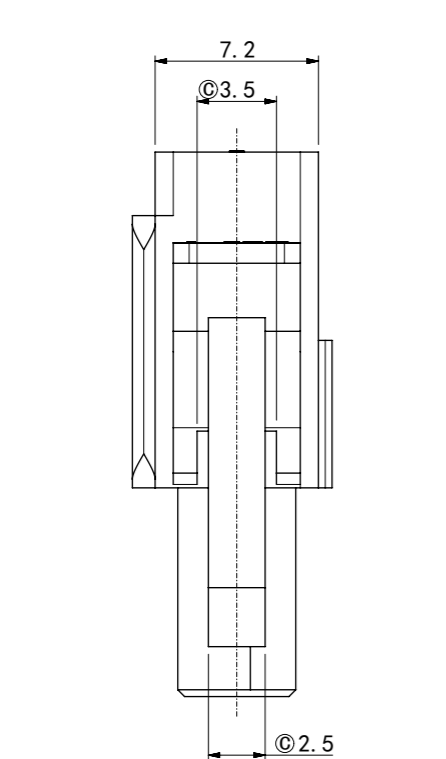
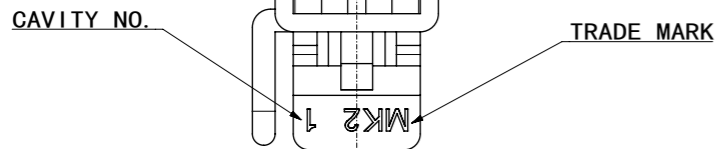
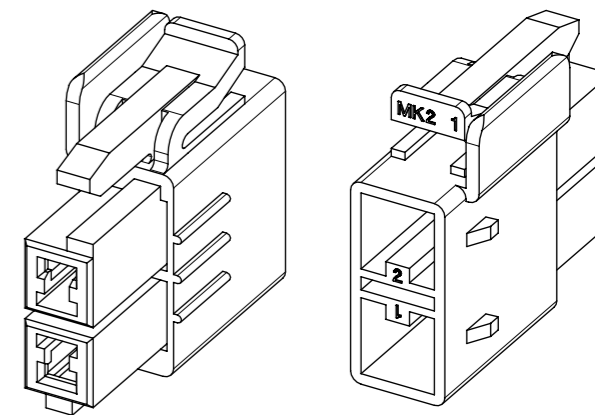


NOTE

1. MATERIAL & COLOR : SEE TABLE
2. MATED HOSUING : 35180-*60*
3. APPLICABLE TERMINAL : 35748-0*10
4. MATED TPA : 35965-029*
5. PRODUCT SPECIFICATION : PS 351800600
6. PACKAGING SPECIFICATION : PK-35965-001



NO.	POLYESTER (PBT)		PET/PC (UL94V-0)	
	MATERIAL	COLOR	MATERIAL	COLOR
1	35965-0220	NATURAL	35965-9220	NATURAL
2			35965-9222	RED
3	35965-0224	BLUE	35965-9223	YELLOW
4			35965-9224	BLUE

FUNCTIONAL SYMBOLS	THIS DRAWING CONTAINS INFORMATION THAT IS PROPRIETARY TO MOLEX ELECTRONIC TECHNOLOGIES, LLC AND SHOULD NOT BE USED WITHOUT WRITTEN PERMISSION	CURRENT REV DESC:		molex																																					
	<table border="1"> <tr> <th>FUNCTIONAL SYMBOLS</th> <th>DIMENSION UNITS</th> <th>SCALE</th> </tr> <tr> <td>$\nabla_A = 0$</td> <td>mm</td> <td>3:1</td> </tr> <tr> <td>$\nabla_E = 0$</td> <td colspan="2">GENERAL TOLERANCES (UNLESS SPECIFIED)</td> </tr> <tr> <td>$\nabla_P = 0$</td> <td colspan="2">ANGULAR TOL $\pm 1.0^\circ$</td> </tr> <tr> <td rowspan="5">DIVISIONAL SYMBOLS</td> <td>4 PLACES</td> <td>\pm</td> </tr> <tr> <td>3 PLACES</td> <td>\pm</td> </tr> <tr> <td>2 PLACES</td> <td>\pm</td> </tr> <tr> <td>1 PLACE</td> <td>± 0.3</td> </tr> <tr> <td>0 PLACES</td> <td>± 0.3</td> </tr> </table>	FUNCTIONAL SYMBOLS	DIMENSION UNITS		SCALE	$\nabla_A = 0$	mm	3:1	$\nabla_E = 0$	GENERAL TOLERANCES (UNLESS SPECIFIED)		$\nabla_P = 0$	ANGULAR TOL $\pm 1.0^\circ$		DIVISIONAL SYMBOLS	4 PLACES	\pm	3 PLACES	\pm	2 PLACES	\pm	1 PLACE	± 0.3	0 PLACES	± 0.3	<table border="1"> <tr> <td>EC NO: 669223</td> <td>2021/07/06</td> </tr> <tr> <td>DRWN: SCHONG03</td> <td>2021/07/06</td> </tr> <tr> <td>CHK'D: JDPARK01</td> <td>2021/07/06</td> </tr> <tr> <td>APPR: JBJIN</td> <td>2021/07/07</td> </tr> <tr> <td>INITIAL REVISION:</td> <td></td> </tr> <tr> <td>DRWN: SCHONG03</td> <td>2017/12/15</td> </tr> <tr> <td>APPR: YSKIM02</td> <td>2018/06/08</td> </tr> </table>		EC NO: 669223	2021/07/06	DRWN: SCHONG03	2021/07/06	CHK'D: JDPARK01	2021/07/06	APPR: JBJIN	2021/07/07	INITIAL REVISION:		DRWN: SCHONG03	2017/12/15	APPR: YSKIM02	2018/06/08
FUNCTIONAL SYMBOLS	DIMENSION UNITS	SCALE																																							
$\nabla_A = 0$	mm	3:1																																							
$\nabla_E = 0$	GENERAL TOLERANCES (UNLESS SPECIFIED)																																								
$\nabla_P = 0$	ANGULAR TOL $\pm 1.0^\circ$																																								
DIVISIONAL SYMBOLS	4 PLACES	\pm																																							
	3 PLACES	\pm																																							
	2 PLACES	\pm																																							
	1 PLACE	± 0.3																																							
	0 PLACES	± 0.3																																							
EC NO: 669223	2021/07/06																																								
DRWN: SCHONG03	2021/07/06																																								
CHK'D: JDPARK01	2021/07/06																																								
APPR: JBJIN	2021/07/07																																								
INITIAL REVISION:																																									
DRWN: SCHONG03	2017/12/15																																								
APPR: YSKIM02	2018/06/08																																								
<table border="1"> <tr> <th>DOCUMENT NUMBER</th> <th>DOC TYPE</th> <th>DOC PART</th> <th>REVISION</th> </tr> <tr> <td>359659220</td> <td>PSD</td> <td>000</td> <td>E2</td> </tr> </table>		DOCUMENT NUMBER	DOC TYPE	DOC PART	REVISION	359659220	PSD	000	E2																																
DOCUMENT NUMBER	DOC TYPE	DOC PART	REVISION																																						
359659220	PSD	000	E2																																						
<table border="1"> <tr> <th>DRAFT WHERE APPLICABLE MUST REMAIN WITHIN DIMENSIONS</th> <th>THIRD ANGLE PROJECTION</th> <th>DRAWING</th> <th>SERIES</th> <th>MATERIAL NUMBER</th> <th>CUSTOMER</th> <th>SHEET NUMBER</th> </tr> <tr> <td></td> <td></td> <td>A3-SIZE</td> <td>35965</td> <td>SEE TABLE</td> <td>GENERAL MARKET</td> <td>1 OF 1</td> </tr> </table>		DRAFT WHERE APPLICABLE MUST REMAIN WITHIN DIMENSIONS	THIRD ANGLE PROJECTION	DRAWING	SERIES	MATERIAL NUMBER	CUSTOMER	SHEET NUMBER			A3-SIZE	35965	SEE TABLE	GENERAL MARKET	1 OF 1																										
DRAFT WHERE APPLICABLE MUST REMAIN WITHIN DIMENSIONS	THIRD ANGLE PROJECTION	DRAWING	SERIES	MATERIAL NUMBER	CUSTOMER	SHEET NUMBER																																			
		A3-SIZE	35965	SEE TABLE	GENERAL MARKET	1 OF 1																																			