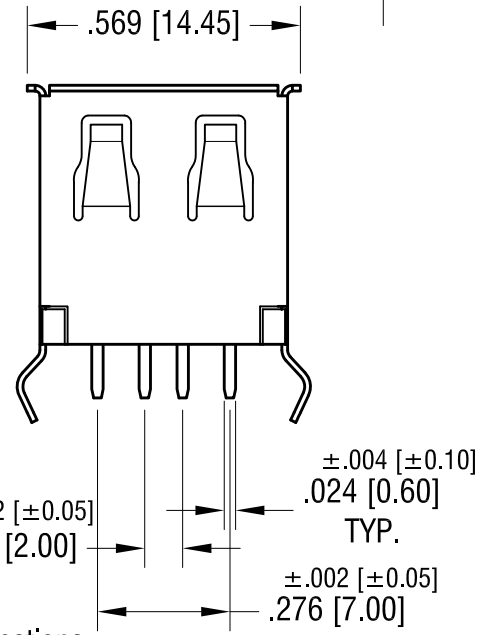
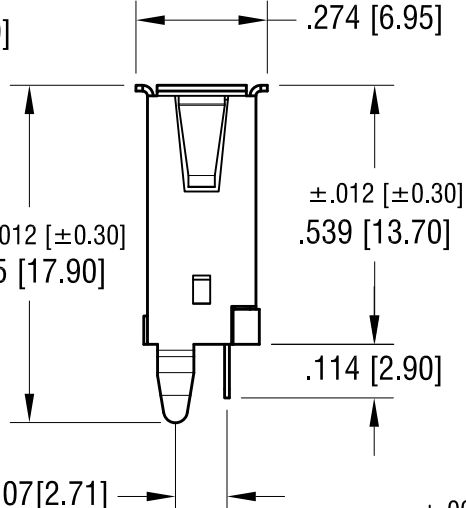
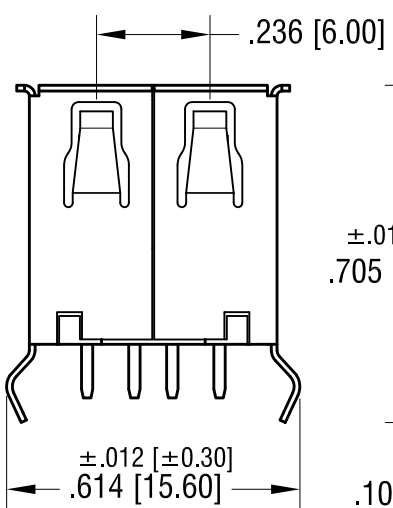
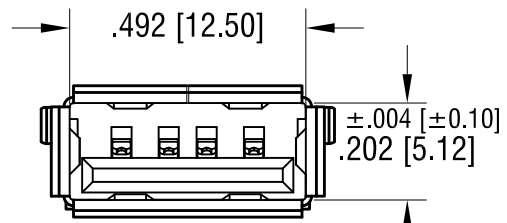
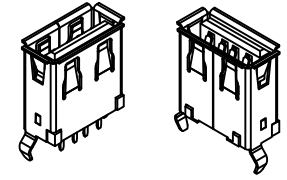
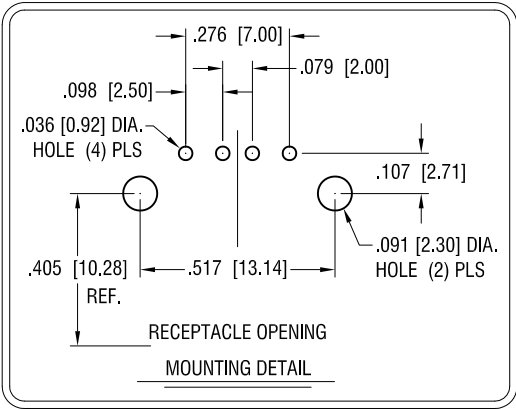


THIS DOCUMENT IS THE PROPERTY OF KEYSTONE ELECTRONICS CORP. AND SHALL NOT BE REPRODUCED, DISTRIBUTED OR USED AS A BASIS FOR MANUFACTURE WITHOUT PRIOR WRITTEN PERMISSION FROM KEYSTONE ELECTRONICS CORP.



Notes:

Material:

- Shell: Mat'l- Steel
- Finish: Nickel Plate
- Insulator: PBT
- Contacts: Phosphor Bronze

Finish:

- Contact Area: Gold Plate over Nickel Plate
- on Solder Tail: Tin Plate over Nickel Plate

Electrical Specifications

- Rated Voltage: 30V AC (rms)
- Contact Current Rating: 1 A Max.
- Contact Resistance: 30 milliohms Max.
- Dielectric Withstanding: 750V AC
- Operating Temperature: -55°C to 85°C

8.02.21	CHANGE AS PER ECN 21-072	H
2.19.16	CHANGE AS PER ECN 16-030	G
12.16.09	CHANGE AS PER ECN 09-189	F
6.8.05	CHANGE AS PER ECN 05-033	E
12.6.04	CHANGE AS PER ECN 04-167	D
3.23.04	CHANGE AS PER ECN 04-018	C
DATE	DESCRIPTION	REV.

KEYSTONE ELECTRONICS CORP.			
www.keyelco.com • NEW HYDE PARK, NY 11040 • Tel (516) 328-7500			
PART NAME		USB A-TYPE VERTICAL SOCKET	
MATERIAL			
AS NOTED			
FINISH		DRN BY	DATE
AS NOTED		BOONE	6.18.98
		APP'D	SCALE
		LN	2.5X
TOLERANCES	INCH [MM]	CODE	DWG NO.
DECIMAL	± .010 [± 0.25]	C	923
ANGULAR	± 1°		
UNLESS OTHERWISE SPECIFIED			