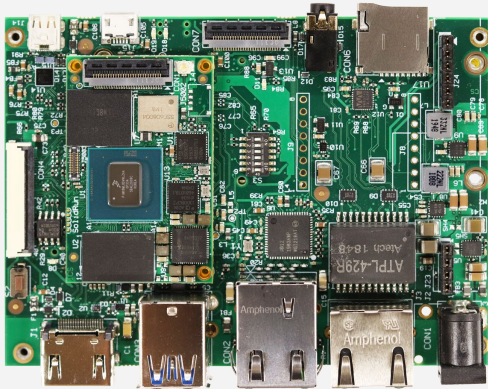


HummingBoard Pulse SBC

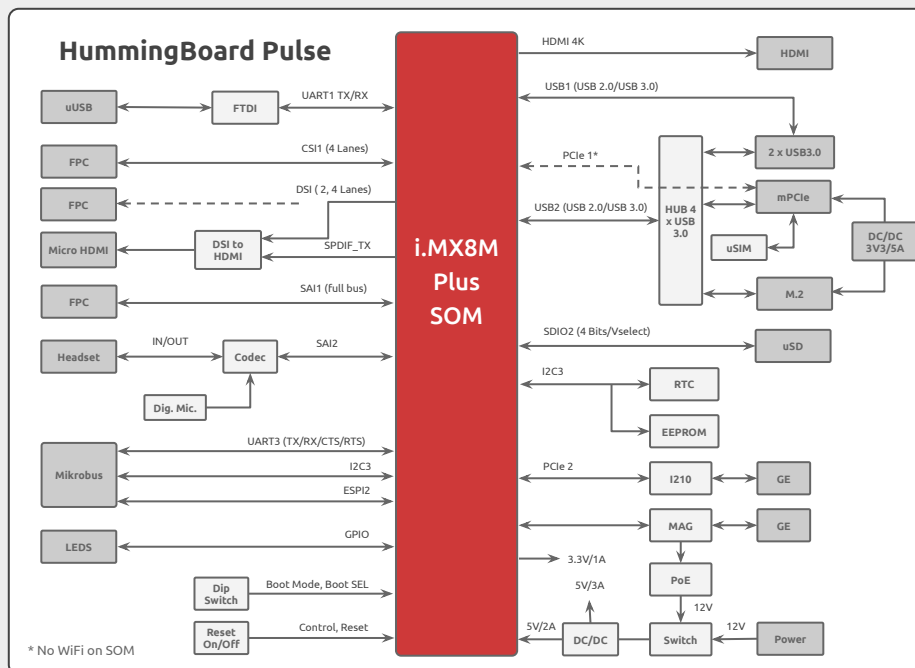
Up to 4 x Arm Cortex-A53 cores



- SoC: NXP i.MX8M Plus based Dual to Quad Core SOM Cortex A53 / NXP i.MX8M Mini based Single to Quad Core SOM Cortex A53
- Memory: Up to 4GB
- Storage: 8GB eMMC
- Temperature: Commercial (0C to 70C), Industrial (-40C to 85C)
- OS: Linux



	i.MX8M Mini	i.MX8M Plus
I/O	2 x USB 2.0 1 x MIPI-CSI 1 X Digital audio (Riser interface FPC connector) 1 x Onboard audio codec	2 x USB 3.0 1 x MIPI-CSI 1 X Digital audio (Riser interface FPC connector) 1 x Onboard audio codec
CPU Type	2 x Ethernet RJ45 10/100/1000 1 x 802.11 a/b/g/n/ac WiFi and Bluetooth (2.4/5 GHz)	2 x Ethernet RJ45 10/100/1000 1 x 802.11 a/b/g/n/ac WiFi and Bluetooth (2.4/5 GHz)
Processor	NXP i.MX 8M Mini Single to Quad core Arm Cortex A53 up to 1.8GHz (with Arm M4 GPP)	NXP i.MX 8M Plus Dual/Quad core Arm Cortex A53 up to 1.8GHz (with Arm M7 GPP)
Memory & Storage	Up to 4GB LPDDR4 8GB eMMC MicroSD	Up to 4GB LPDDR4 8GB eMMC MicroSD
Display	HDMI MIPI-DSI	HDMI MIPI-DSI
Misc.	1 x Reset button 1x Configurable push button 3 x LED indicators RTC	1 x Reset button 1x Configurable push button 3 x LED indicators RTC
Development and Debug interfaces	Micro USB	Micro USB
Power	7V - 28V PoE sink support 802.3af class 0	7V - 28V PoE sink support 802.3af class 0
Expansion card I/Os	M.2 Mini PCIe with SIM holder	M.2 Mini PCIe with SIM holder
Temperature	Commercial: 0°C to 70°C Industrial: -40°C to 85°C	Commercial: 0°C to 70°C Industrial: -40°C to 85°C
Dimensions	PCBA: 100 x 70mm Enclosure: 142 x 80 x 30mm	PCBA: 100 x 70mm Enclosure: 142 x 80 x 30mm
Enclosure	Extruded aluminum	Extruded aluminum

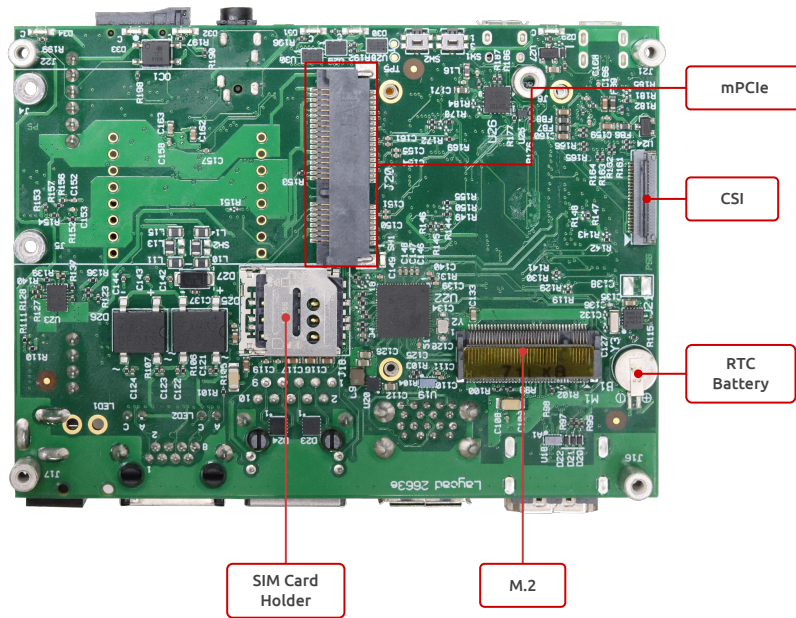
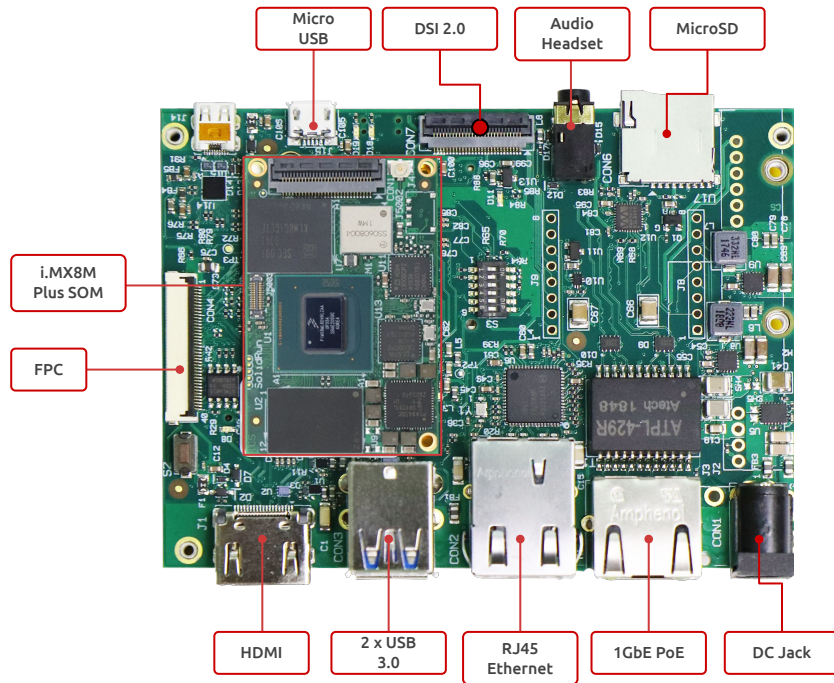


Ordering Information

Available on Shop	
SKU	Description
SRMP8ODWB1D01GE008U03CH	SOM i.MX8M Plus Quad HummingBoard Pulse Inc. WiFi/BT 1GB RAM 8GB eMMC Com.Temp R03 Inc. Heatsink
SRMP8ODW00D01GE008U03CH	SOM i.MX8M Plus Quad HummingBoard Pulse No WiFi/BT 1GB RAM 8GB eMMC Com.Temp R03 Inc. Heatsink
SRMM8ODWB1D02GE008U03CH	SOM i.MX8M Mini Quad HummingBoard Pulse Inc. WiFi/BT 2GB RAM 8GB eMMC Com.Temp R03 Inc. Heatsink
SRMM8-KIT002	i.MX8 Mini Starter Kit - SOM i.MX8M Mini Quad HummingBoard Pulse Inc. WiFi/BT 2GB RAM 8GB eMMC Com.Temp R02 Inc. Heatsink 12V 1.5A Power adapter Micro SD USB to Micro USB Cable WiFi Antenna
SRMP8-KIT002	i.MX8 Plus Starter Kit - SOM i.MX8M Plus Quad HummingBoard Pulse Inc. WiFi/BT 1GB RAM 8GB eMMC Com.Temp R02 Inc. Heatsink 12V 1.5A Power adapter Micro SD USB to Micro USB Cable WiFi Antenna

- To choose your ideal configuration see our [Product Configurator Tool](#)

Accessories:	
SKU	Description
PA00012	12V 1.5A US Power Adapter
PA00013	12V 1.5A EU Power Adapter
AN00016	2.4/5GHz SMA Antenna
AN00009	2.4GHz SMA Antenna
MSD016B	Micro SD 16GB
QT00EC25AU	Quectel EC25AU - LTE Cat 4 AU
QT00EC25A	Quectel EC25AU - LTE Cat 4 US
QT00EC25E	Quectel EC25AU - LTE Cat 4 EU
WI00002	USB to MicroUSB cable



For more information about the HummingBoard Pulse Software/Hardware visit our:

[Developer Center](#)