

Driver LC 60W 24V Ip SNC UNV

Constant voltage essence series



Product description

- _ Constant voltage LED driver
- _ Universal input voltage range
- _ Class 2
- _ Type HL
- _ UL Listed Class P
- _ FCC Part 15
- _ Max. output power 60 W
- _ Nominal lifetime up to 50,000 h (at ta 113 °F)
- _ 5 years guarantee (conditions at www.tridonic.com)

Housing properties

- _ Casing: metal, white
- _ Dry and damp location

Functions

- _ Overtemperature protection
- _ Overload protection
- _ Short-circuit protection
- _ No-load protection

Website

<http://www.tridonic.us/28002853>



Spotlights



Downlights



Linear



Area



Floor | Wall



Free-standing



Street

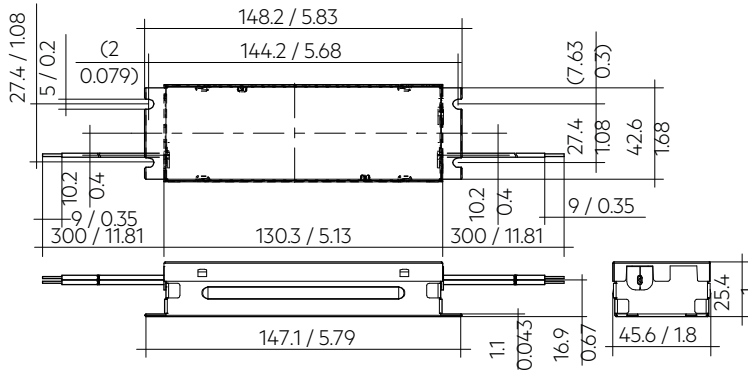


Decorative

Driver LC 60W 24V Ip SNC UNV

Constant voltage essence series

The complete data sheet for this product is available in the Downloads section.



Dimensions in mm / inch

Ordering data

Type	Article number	Packaging, carton	Packaging, pallet	Weight per pc.
LC 60/24V Ip SNC UNV	28002853	20 pc(s).	1,440 pc(s).	0.74 lbs

Technical data

Rated supply voltage	120 – 277 V
AC voltage range	108 – 305 V
Rated current (at 120 V, 60 Hz, full load)	0.58 A
Rated current (at 277 V, 60 Hz, full load)	0.25 A
Leakage current (at 120 V, 60 Hz, full load)	< 300 μ A
Leakage current (at 230 V, 50 Hz, full load)	< 300 μ A
Mains frequency	50 / 60 Hz
Efficiency (at 120 V 60 Hz, full load)	> 88 %
Efficiency (at 277 V 60 Hz, full load)	> 90.5 %
λ (at 120 V, 60 Hz, full load)	0.99
λ (at 277 V, 60 Hz, full load)	0.96
Output voltage tolerance	22.8 – 25.2 V
Max. output power	60 W
Output power range	36 – 60 W
Output LF voltage ripple (< 120 Hz)	< 2.1 %
Output P_ST_LM (at full load)	\leq 1
Output SVM (at full load)	\leq 0.4
Starting time (output)	\leq 500 ms
Turn off time (output)	\leq 10 ms
Hold on time at power failure (output)	\leq 1 ms
Mains burst capability (between L - N)	1 kV
Mains surge capability (between L - N)	2 kV
Mains surge capability (between L/N - PE)	4 kV
Surge voltage at output side (against PE)	< 500 V
Ambient temperature t_a	-13 ... +131 °F
Ambient temperature t_a (at lifetime 50,000 h)	113 °F
Storage temperature t_s	-40 ... +185 °F
Lifetime	up to 50,000 h
Guarantee	5 Year(s)
Dimensions L x W x H	5.83 x 1.8 x 1 inch
Hole spacing D	0.18 inch

Approval marks**Standards**

UL 8750, FCC PART 15

Specific technical data

Type	Max. casing temperature t_c	Output voltage	Max. input power (at 120 V, 60 Hz, full load)	Output current range	Max. output voltage (U _{OUT}) ^①
LC 60/24V Ip SNC UNV	185 °F	24 V	75 W	0 – 2.5 A	25.2 V

① At failure mode.