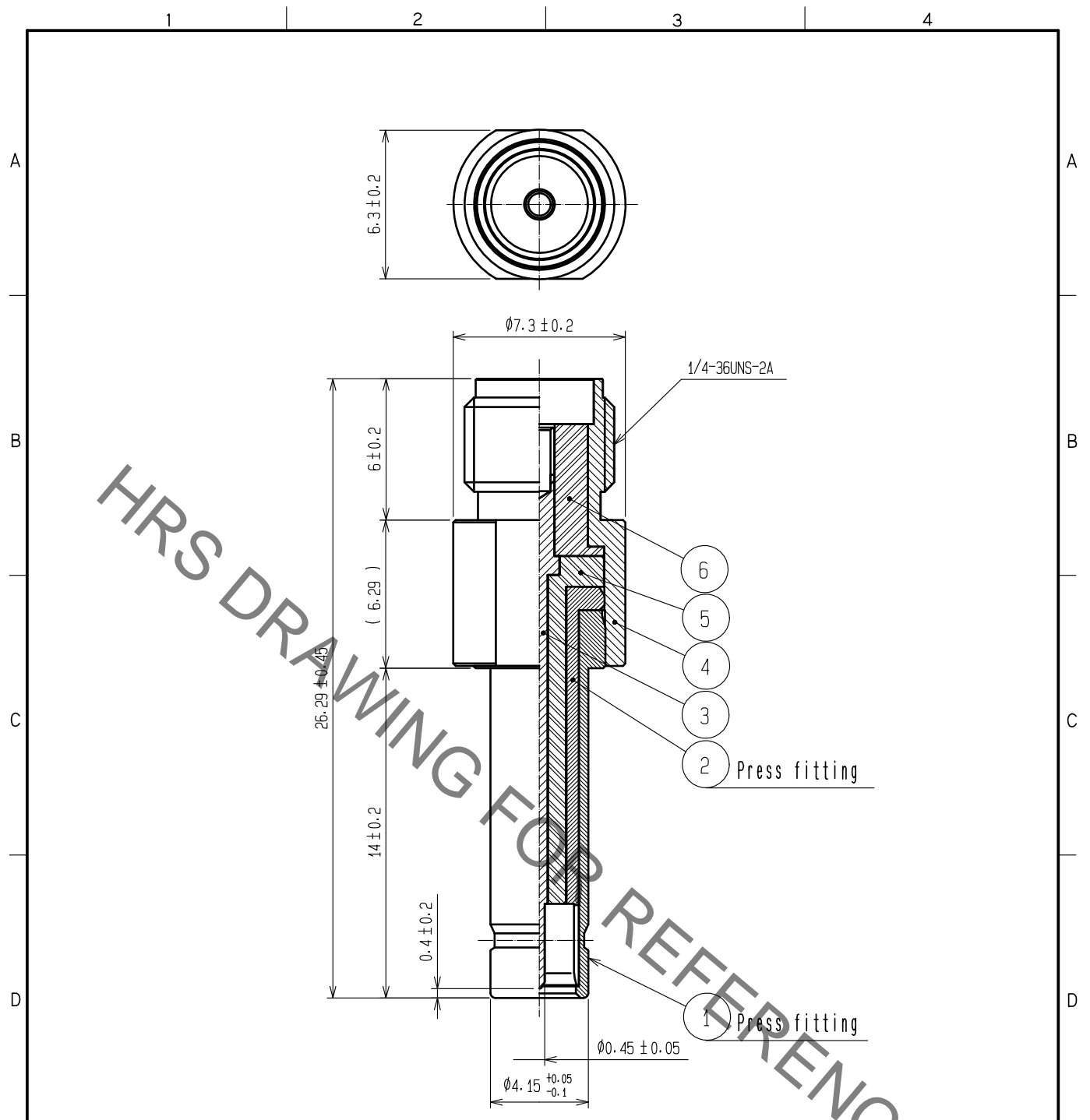


May.1.2023 Copyright 2023 HIROSE ELECTRIC CO., LTD. All Rights Reserved.
 In case of consideration for using Automotive equipment / device which demand high reliability, kindly contact our sales window correspondents.



Note 1. This plug is checking purpose only.

2. This plug is adapt for MS-151NB-1.

3	Beryllium copper	Nickel plating	6	PTFE	
2	Phosphor bronze	Nickel plating	5	PTFE	
1	Stainless steel	Nickel plating	4	Stainless steel	Passivate
NO.	MATERIAL	FINISH . REMARKS	NO.	MATERIAL	FINISH . REMARKS

UNITS mm		SCALE 4 : 1	COUNT 	DESCRIPTION OF REVISIONS	DESIGNED	CHECKED	DATE
HIROSE ELECTRIC CO., LTD.		APPROVED : NK. NINOMIYA 16.11.10	CHECKED : NK. NINOMIYA 16.11.10	DESIGNED : DS. YAMAKOSHI 16.11.10	DRAWN : DS. YAMAKOSHI 16.11.10	DRAWING NO. EDC-180230-00-00	PART NO. MS151P-HRMJ-1
				CODE NO. CL355-0090-6-00	1/1		