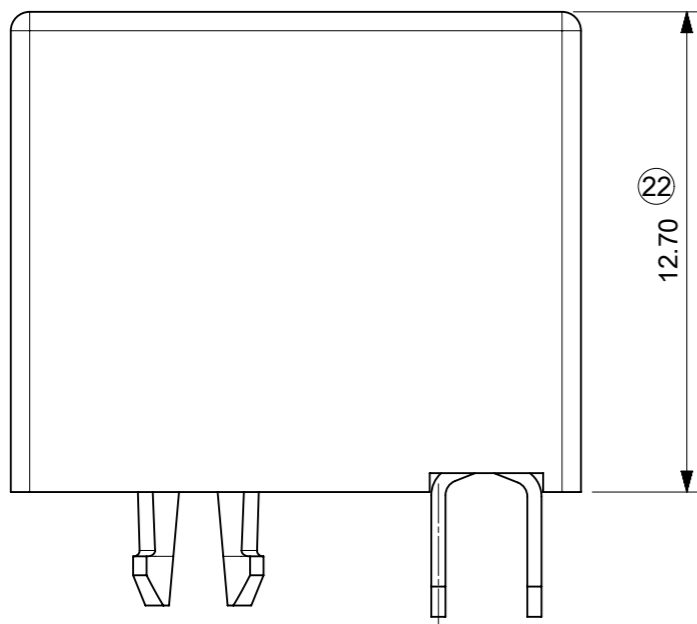


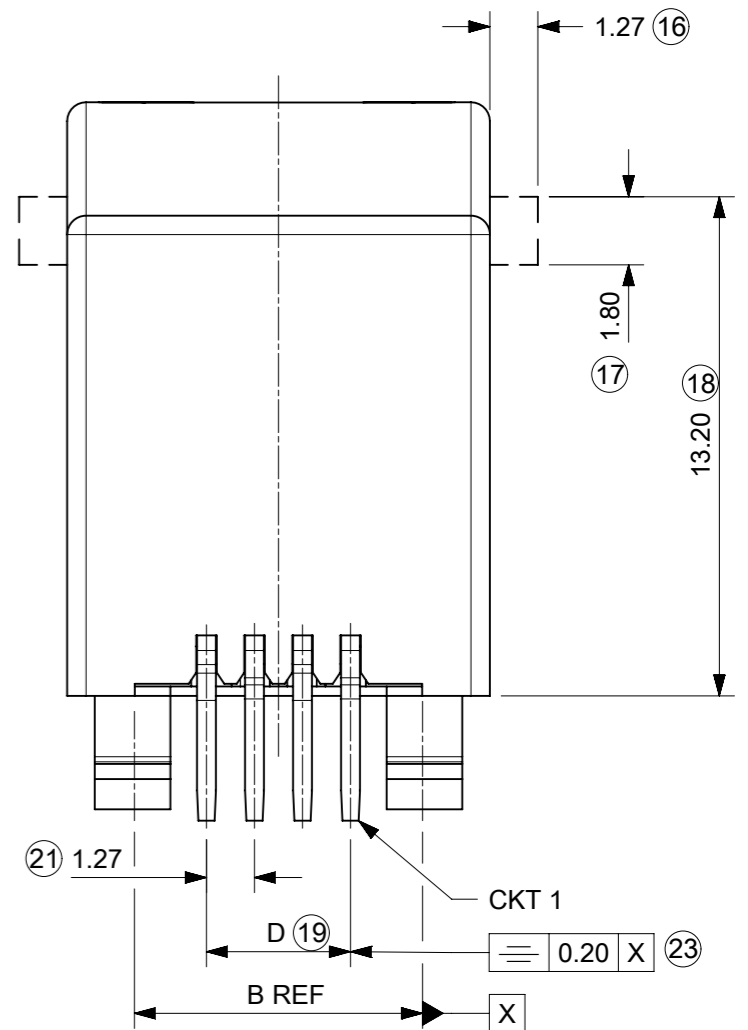
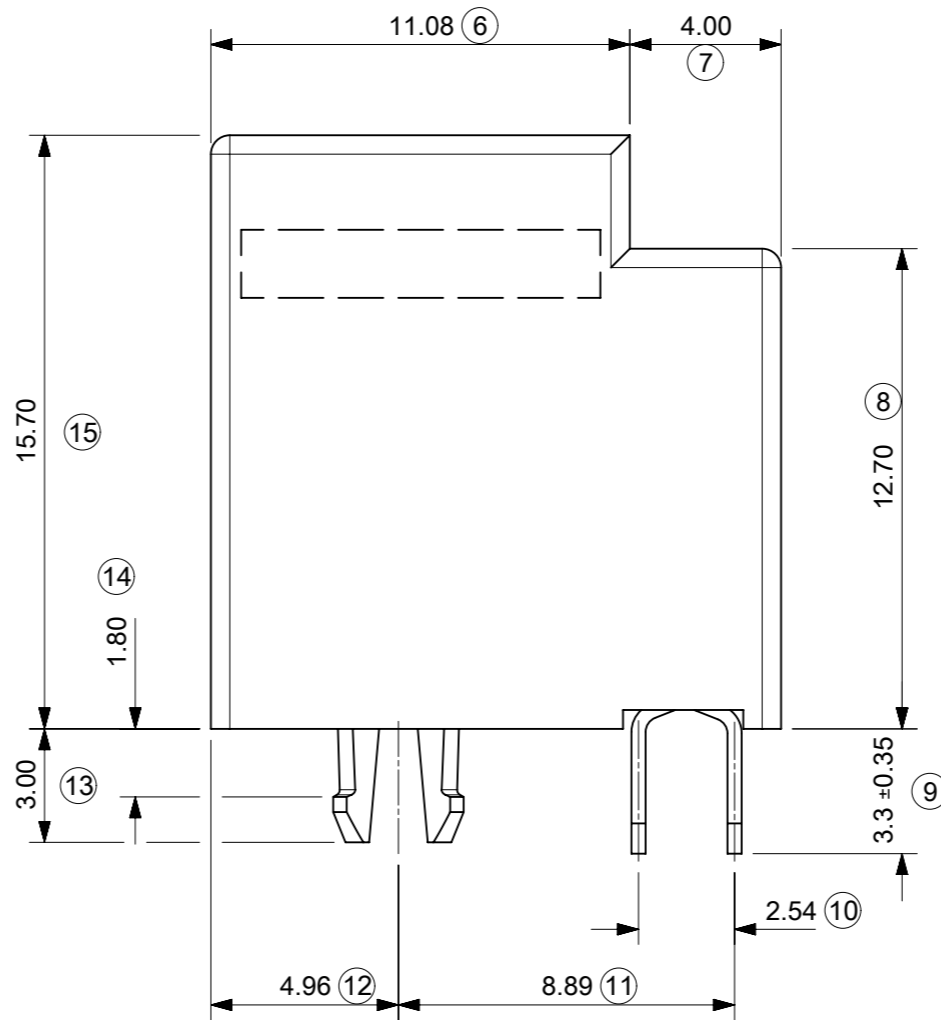
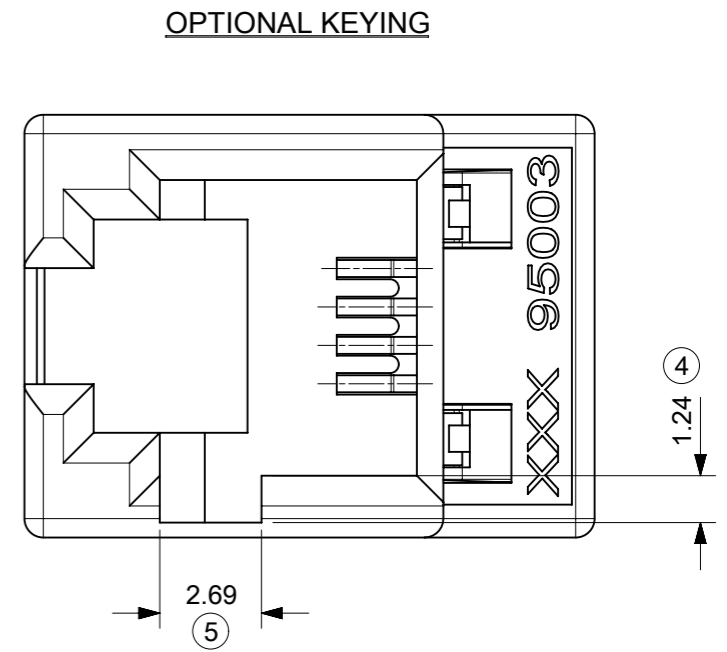
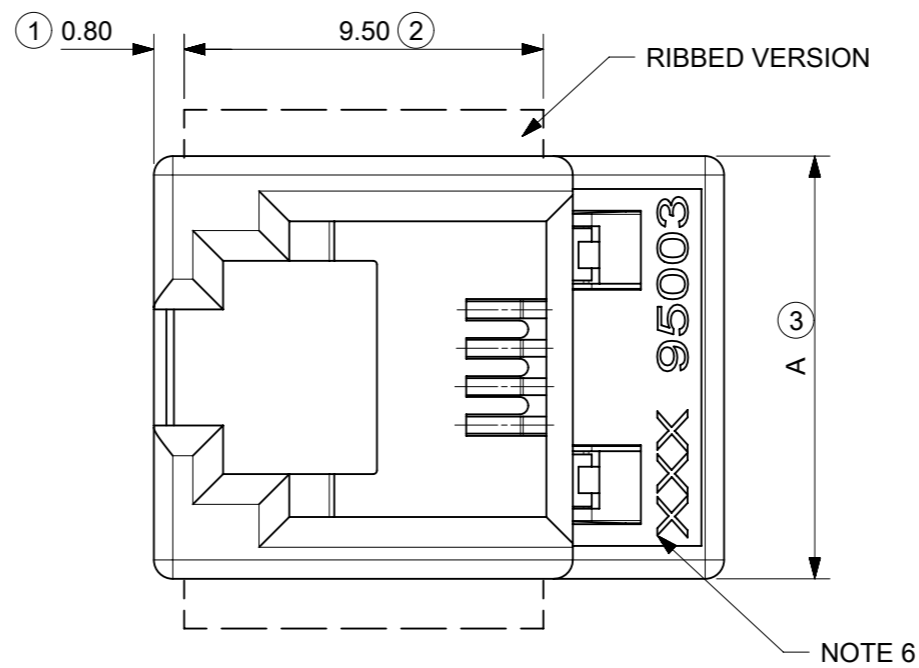
**NOTES :**

- MATERIAL:**  
HOUSING: LCP FIBER GLASS FILLED UL 94-V0  
COLOR BLACK.  
TERMINAL: COPPER ALLOY  
BASE FINISH: NICKEL  
CONTACT SURFACE FINISH  
GOLD  
OR  
GOLD FLASH OVER PALLADIUM NICKEL  
EXCEEDS PRODUCT REQUIREMENTS BASED ON PSD-95503-001
- JACK FOR MATING WITH F.C.C. 68 PLUGS  
90075 MOLEX SERIES.
- P.C.B. THICKNESS: 1.57
- PRODUCT SPECIFICATION PSD-95503-001
- PACKAGING SPECIFICATION:  
STANDARD PACKAGING PK-95003 SHEET 1.  
TUBE PACKAGING FOR SMT VERSION PK-95003 SHEET 2.  
TUBE PACKAGING FOR THROUGH HOLE VERSION  
PK-95003 SHEET 3.  
TAPE AND REEL PACKAGING FOR THROUGH HOLE PK-95503-001.
- MANUFACTURING I.D. CAN BE MXF, MG, MXI OR MXCH.  
INSPECTION NUMBERS USED: (1) - (50)  
LAST INSPECTION NUMBER: (23)  
REMOVED INSPECTION NO: 20

| TYPE<br>DIM. | POS. 4  | POS. 6  |         | POS.8   |
|--------------|---------|---------|---------|---------|
|              | 4 CKTS. | 4 CKTS. | 6 CKTS. | 8 CKTS. |
| A            | 11.18   | 13.21   | 13.21   | 15.24   |
| B            | 7.62    | 10.16   | 10.16   | 11.43   |
| D            | 3.81    | 3.81    | 6.35    | 8.89    |



**SHORT VERSION**



|   |         |  |                 |   |  |  |  |  |  |
|---|---------|--|-----------------|---|--|--|--|--|--|
| THIS DRAWING CONTAINS INFORMATION THAT IS PROPRIETARY TO MOLEX ELECTRONIC TECHNOLOGIES, LLC AND SHOULD NOT BE USED WITHOUT WRITTEN PERMISSION |         |  |                 |   |  |  |  |  |  |
| DIMENSION UNITS   | SCALE   | CURRENT REV DESC: REMASTERED USING 3D MODELS   |                 |   |  |  |  |  |  |
| mm  | 5:1     | <p>LOW PROFILE<br/>TOP ENTRY JACK (THROUGH HOLE VERSION)</p> <p>PRODUCT CUSTOMER DRAWING</p> |                 |   |  |  |  |  |  |
| GENERAL TOLERANCES (UNLESS SPECIFIED)   |         |  |                 |   |  |  |  |  |  |
| ANGULAR TOL   | ± 0.5 ° |  |                 |   |  |  |  |  |  |
| 4 PLACES  | ±       |  |                 |   |  |  |  |  |  |
| 3 PLACES  | ±       |  |                 |   |  |  |  |  |  |
| 2 PLACES  | ± 0.15  |  |                 |   |  |  |  |  |  |
| 1 PLACE   | ± 0.25  | EC NO: 686850  | 2021/06/10      | <p>DOCUMENT NUMBER: <b>SD-95503-003</b></p> <p>DOC TYPE: PSD</p> <p>DOC PART: 001</p> <p>REVISION: H1</p> |  |  |  |  |  |
| 0 PLACES  | ±       | DRWN: TMARTIN  | 2005/06/29      |   |  |  |  |  |  |
| DRAFT WHERE APPLICABLE MUST REMAIN WITHIN DIMENSIONS  |         | THIRD ANGLE PROJECTION   | DRAWING         |   |  |  |  |  |  |
|   |         | SERIES   | MATERIAL NUMBER |   |  |  |  |  |  |
|   |         | CUSTOMER   | SHEET NUMBER    |   |  |  |  |  |  |
|   |         | A3-SIZE  | 95503           |   |  |  |  |  |  |

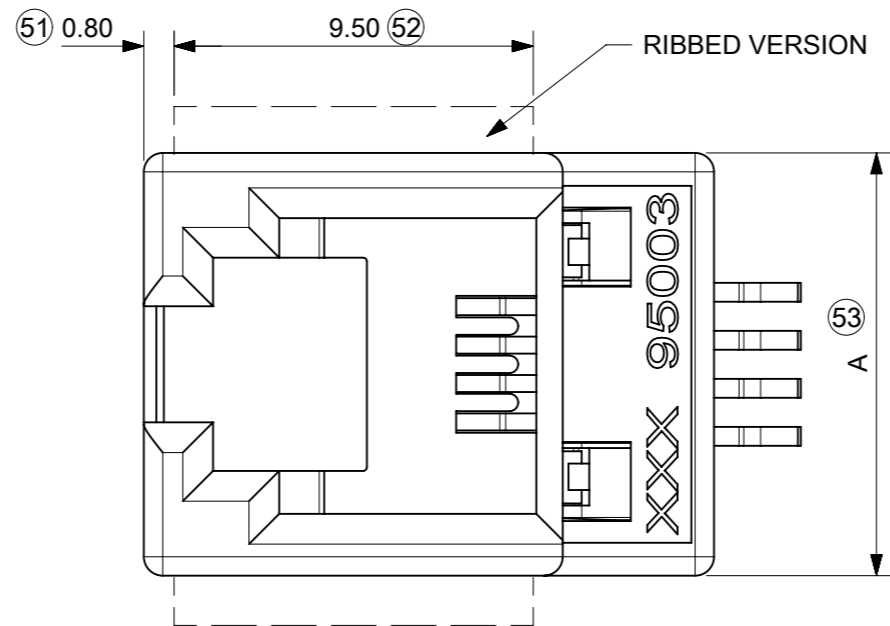
**NOTES:**

1. **MATERIAL:**  
HOUSING: L C P FIBER GLASS FILLED UL 94-V0  
COLOR BLACK.
2. APPLICATION SPECIFICATION: AS-85513-001 (SMT).
3. SEE OTHER NOTES SHEET 1.
4. COPLANARITY OF SIGNAL TAILS 0.1mm MAX  
RELEVANT TO EACH OTHER.

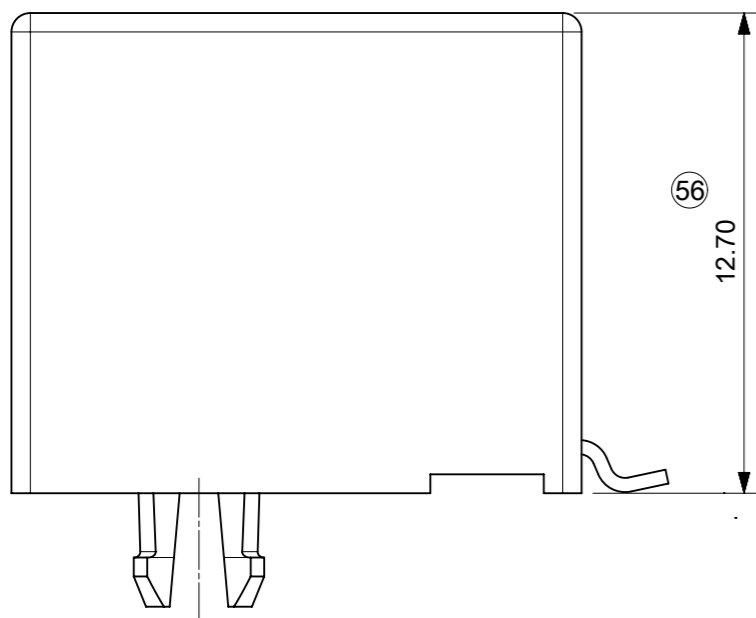
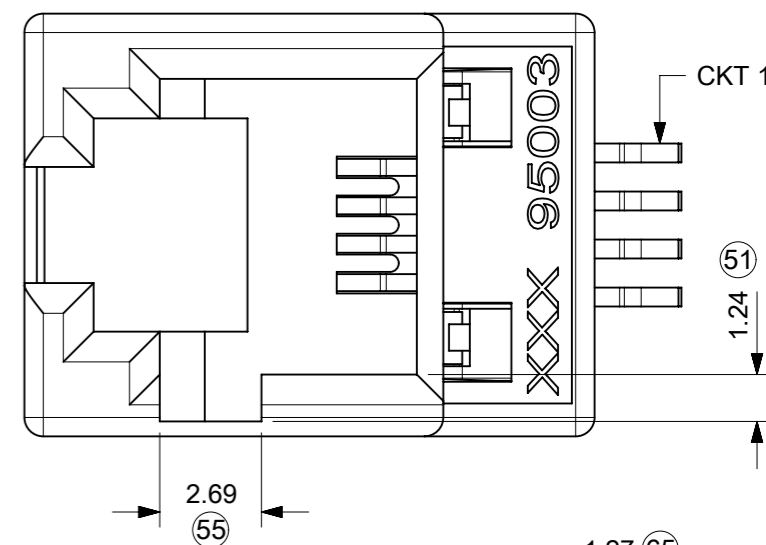
71

INSPECTION NUMBERS USED: 51 - 100

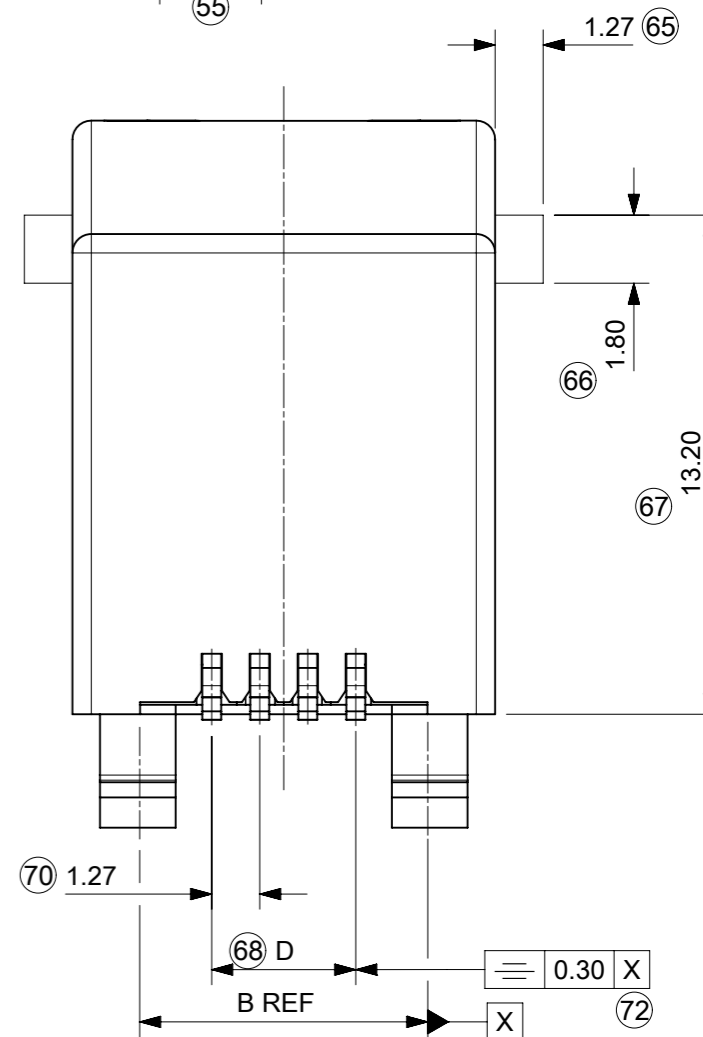
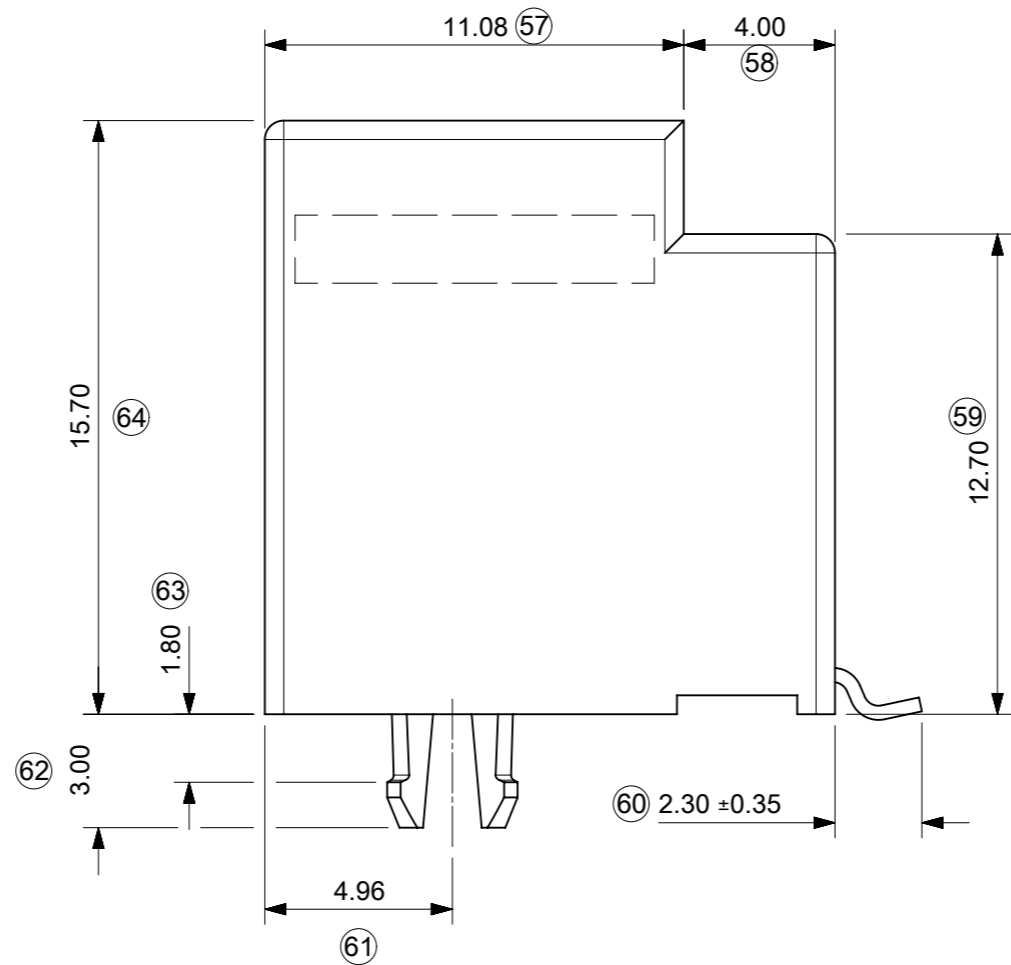
LAST INSPECTION NUMBER: 72  
REMOVED INSPECTION NO: 69



**OPTIONAL KEYING**



SHORT VERSION



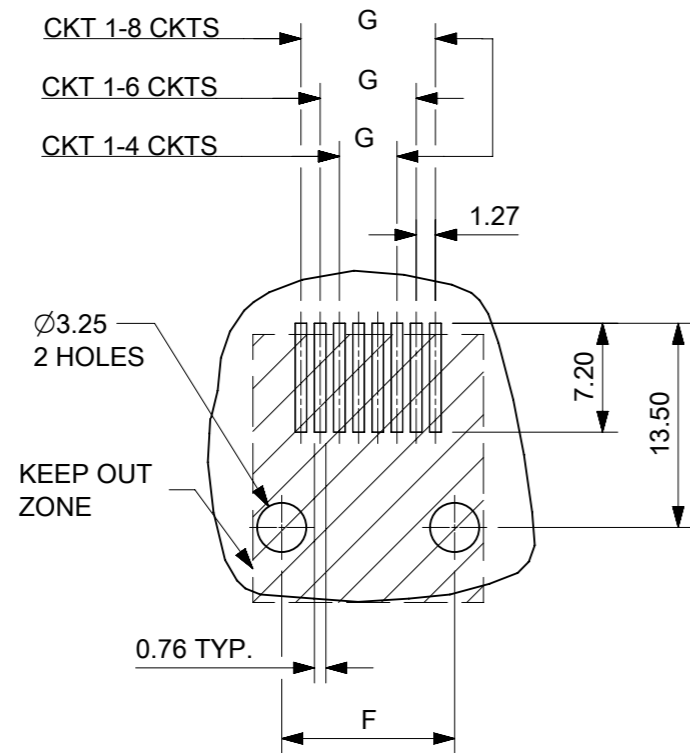
| DIM. \ TYPE | POS. 4  | POS. 6  |         | POS. 8  |
|-------------|---------|---------|---------|---------|
|             | 4 CKTS. | 4 CKTS. | 6 CKTS. | 8 CKTS. |
| A           | 11.18   | 13.21   | 13.21   | 15.24   |
| B           | 7.62    | 10.16   | 10.16   | 11.43   |
| D           | 3.81    | 3.81    | 6.35    | 8.89    |

|   |  |                         |  |  |  |           |  |                 |  |
|---|--|-------------------------|--|--|--|-----------|--|-----------------|--|
| THIS DRAWING CONTAINS INFORMATION THAT IS PROPRIETARY TO MOLEX ELECTRONIC TECHNOLOGIES, LLC AND SHOULD NOT BE USED WITHOUT WRITTEN PERMISSION |  |                         |  |  |  |           |  |                 |  |
| DIMENSION UNITS   |  | SCALE                   |  | CURRENT REV DESC: REMASTERED USING 3D MODELS   |  |           |  |                 |  |
| mm  |  | 5:1                     |  | <p>LOW PROFILE TOP ENTRY JACK (THROUGH HOLE VERSION)</p> <p>PRODUCT CUSTOMER DRAWING</p> |  |           |  |                 |  |
| GENERAL TOLERANCES (UNLESS SPECIFIED)   |  |                         |  |  |  |           |  |                 |  |
| ANGULAR TOL ± 0.5°  |  |                         |  |  |  |           |  |                 |  |
| 4 PLACES ±  |  | EC NO: 686850           |  |  |  |           |  |                 |  |
| 3 PLACES ±  |  | DRWN: SANTHN 2021/06/10 |  |  |  |           |  |                 |  |
| 2 PLACES ± 0.15   |  | CHK'D: KLANG 2022/01/13 |  |  |  |           |  |                 |  |
| 1 PLACE ± 0.25  |  | APPR: KLANG 2022/01/13  |  |  |  |           |  |                 |  |
| 0 PLACES ±  |  | INITIAL REVISION:       |  | DOCUMENT NUMBER  |  |           |  |                 |  |
| DRAFT WHERE APPLICABLE MUST REMAIN WITHIN DIMENSIONS  |  | THIRD ANGLE PROJECTION  |  | DRAWING  |  | SERIES    |  | MATERIAL NUMBER |  |
|   |  | A3-SIZE                 |  | 95503  |  | SEE CHART |  | CUSTOMER        |  |
|   |  |                         |  |  |  |           |  | SD-95503-003    |  |
|   |  |                         |  |  |  |           |  | PSD 001 H1      |  |
|   |  |                         |  |  |  |           |  | SHEET NUMBER    |  |
|   |  |                         |  |  |  |           |  | 2 OF 5          |  |

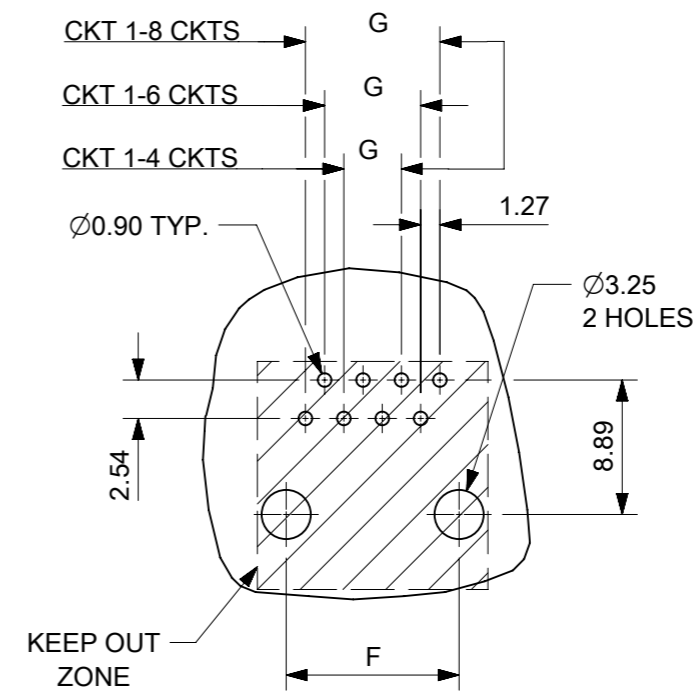
| TYPE \ DIM. | POS. 4  | POS. 6  |         | POS.8   |
|-------------|---------|---------|---------|---------|
|             | 4 CKTS. | 4 CKTS. | 6 CKTS. | 8 CKTS. |
| F±0.05      | 7.62    | 10.16   | 10.16   | 11.43   |
| G±0.05      | 3.81    | 3.81    | 6.35    | 8.89    |

### P.C.B MOUNTING PATTERNS - SEEN FROM COMPONENT SIDE

#### FOR SMT JACK (SURFACE MOUNT)



#### FOR STANDARD JACK (THROUGH HOLE)



NOTES:  
ALL DIMENSIONS REF DIMENSIONS.

|   |        |   |  |         |        |                 |                |          |              |
|---|--------|---|--|---------|--------|-----------------|----------------|----------|--------------|
| THIS DRAWING CONTAINS INFORMATION THAT IS PROPRIETARY TO MOLEX ELECTRONIC TECHNOLOGIES, LLC AND SHOULD NOT BE USED WITHOUT WRITTEN PERMISSION |        |   |  |         |        |                 |                |          |              |
| DIMENSION UNITS   | SCALE  | CURRENT REV DESC: REMASTERED USING 3D MODELS      |  |         |        |                 |                |          |              |
| mm  | 2:1    |   |  |         |        |                 |                |          |              |
| GENERAL TOLERANCES (UNLESS SPECIFIED)   |        |   |  |         |        |                 |                |          |              |
| ANGULAR TOL   | ± 0.5° | LOW PROFILE TOP ENTRY JACK (THROUGH HOLE VERSION) |  |         |        |                 |                |          |              |
| 4 PLACES  | ±      | PRODUCT CUSTOMER DRAWING                          |  |         |        |                 |                |          |              |
| 3 PLACES  | ±      | DOCUMENT NUMBER                                   |  |         |        |                 |                |          |              |
| 2 PLACES  | ± 0.15 | SD-95503-003                                      |  |         |        |                 |                |          |              |
| 1 PLACE   | ± 0.25 | DOC TYPE  |  |         |        |                 |                |          |              |
| 0 PLACES  | ±      | PSD   |  |         |        |                 |                |          |              |
| DRAFT WHERE APPLICABLE MUST REMAIN WITHIN DIMENSIONS  |        | THIRD ANGLE PROJECTION                            |  | DRAWING | SERIES | MATERIAL NUMBER | CUSTOMER       | DOC PART | REVISION     |
|   |        |   |  | A3-SIZE | 95503  | SEE CHART       | GENERAL MARKET | 001      | H1           |
|   |        |   |  |         |        |                 |                |          | SHEET NUMBER |
|   |        |   |  |         |        |                 |                |          | 3 OF 5       |

| HOUSING SIZE | LOADED CONTACTS |
|--------------|-----------------|
| 4            | 4               |
| 6            | 4               |
| 6            | 6               |
| 8            | 8               |

| PART NO. FOR JACK ASSEMBLY<br>THROUGH HOLE STANDARD VERSION |        |            |        |  |        |
|---|--------|------------|--------|--|--------|
| LCP FIBER GLASS FILLED UL-94V0<br>COLOR BLACK               |        |            |        |  |        |
| NO KEY  | TOOLED | KEY        | TOOLED |  | TOOLED |
| NO RIB  | TOOLED | NO RIB     | TOOLED |  | TOOLED |
| 95503-2441  | X      |            |        |  |        |
| 95503-2641  | X      |            |        |  |        |
| 95503-2661  | X      |            |        |  |        |
| 95503-2881  | X      | 95503-2882 | X      |  |        |


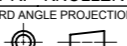
TRAY PACKAGING  
SEE PACKAGING SPEC PK-95003 SHEET 1

| PART NO. FOR JACK ASSEMBLY<br>THROUGH HOLE STANDARD VERSION |        |        |        |  |        |
|---|--------|--------|--------|--|--------|
| LCP FIBER GLASS FILLED UL-94V0<br>COLOR BLACK               |        |        |        |  |        |
| NO KEY  | TOOLED | KEY    | TOOLED |  | TOOLED |
| NO RIB  | TOOLED | NO RIB | TOOLED |  | TOOLED |
| 95503-2884  | X      |        |        |  |        |

TRAY PACKAGING  
SEE PACKAGING SPEC PK-95003 SHEET 1

|            |   |
|------------|---|
| TOOLED     | X |
| NOT TOOLED |   |

NOTES:  
PLATING: SEE SHEET 1

|   |   |   |            |                 |  |              |  |  |  |
|---|---|---|------------|-----------------|--|--------------|--|--|--|
| THIS DRAWING CONTAINS INFORMATION THAT IS PROPRIETARY TO MOLEX ELECTRONIC TECHNOLOGIES, LLC AND SHOULD NOT BE USED WITHOUT WRITTEN PERMISSION |   |   |            |                 |  |              |  |  |  |
| DIMENSION UNITS   | SCALE   | CURRENT REV DESC: REMASTERED USING 3D MODELS  |            |                 |  |              |  |  |  |
| mm  | 1:1   | <br>LOW PROFILE<br>TOP ENTRY JACK (THROUGH HOLE VERSION) |            |                 |  |              |  |  |  |
| GENERAL TOLERANCES (UNLESS SPECIFIED)   |   |   |            |                 |  |              |  |  |  |
| ANGULAR TOL   | ± 0.5°  | PRODUCT CUSTOMER DRAWING  |            |                 |  |              |  |  |  |
| 4 PLACES  | ±   | EC NO: 686850   | 2021/06/10 |                 | DOCUMENT NUMBER: <b>SD-95503-003</b><br>DOC TYPE: PSD<br>DOC PART: 001<br>REVISION: H1 |              |  |  |  |
| 3 PLACES  | ±   | DRWN: SANTHN  | 2022/01/13 |                 |  |              |  |  |  |
| 2 PLACES  | ± 0.15  | CHK'D: KLANG  | 2022/01/13 |                 | INITIAL REVISION:<br>DRWN: TMARTIN<br>APPR: KNOLLER<br>2005/06/29<br>2005/07/04        |              |  |  |  |
| 1 PLACE   | ± 0.25  |   |            |                 |  |              |  |  |  |
| 0 PLACES  | ±   |   |            |                 |  |              |  |  |  |
| DRAFT WHERE APPLICABLE MUST REMAIN WITHIN DIMENSIONS  | THIRD ANGLE PROJECTION  | DRAWING   | SERIES     | MATERIAL NUMBER | CUSTOMER   | SHEET NUMBER |  |  |  |
|   |  | A3-SIZE   | 95503      | SEE CHART       | GENERAL MARKET   | 4 OF 5       |  |  |  |

TUBE PACKAGING, SEE PACKAGING SPEC. PK 95003  
SHEET 2

| HOUSING SIZE | LOADED CONTACTS |
|--------------|-----------------|
| 4            | 4               |
| 6            | 4               |
| 6            | 6               |
| 8            | 8               |

| PART NO. FOR JACK ASSEMBLY<br>S.M.T. STANDARD VERSION |        |        |        |        |        |  |        |
|---|--------|--------|--------|--------|--------|--|--------|
| LCP FIBER GLASS FILLED UL-94V0<br>COLOR BLACK.        |        |        |        |        |        |  |        |
| NO KEY  | TOOLED | KEY    | TOOLED | NO KEY | TOOLED |  | TOOLED |
| NO RIB  | TOOLED | NO RIB | TOOLED | RIB    | TOOLED |  | TOOLED |
| 95503-6451  | X      |        |        |        |        |  |        |
| 95503-6651  | X      |        |        |        |        |  |        |
| 95503-6671  | X      |        |        |        |        |  |        |
| 95503-6891  | X      |        |        |        |        |  |        |

| PART NO. FOR JACK ASSEMBLY<br>S.M.T. SHORT VERSION |        |        |        |        |        |  |        |
|--|--------|--------|--------|--------|--------|--|--------|
| LCP FIBER GLASS FILLED UL-94V0<br>COLOR BLACK.     |        |        |        |        |        |  |        |
| NO KEY   | TOOLED | KEY    | TOOLED | NO KEY | TOOLED |  | TOOLED |
| NO RIB   | TOOLED | NO RIB | TOOLED | RIB    | TOOLED |  | TOOLED |
| 95503-6894   | X      |        |        |        |        |  |        |

|            |   |
|------------|---|
| TOOLED     | X |
| NOT TOOLED |   |

NOTES:  
PLATING: SEE SHEET 1

|   |        |  |                 |                |              |  |  |  |  |
|---|--------|--|-----------------|----------------|--------------|--|--|--|--|
| THIS DRAWING CONTAINS INFORMATION THAT IS PROPRIETARY TO MOLEX ELECTRONIC TECHNOLOGIES, LLC AND SHOULD NOT BE USED WITHOUT WRITTEN PERMISSION |        |  |                 |                |              |  |  |  |  |
| DIMENSION UNITS   | SCALE  | CURRENT REV DESC: REMASTERED USING 3D MODELS         |                 |                |              |  |  |  |  |
| mm  | 1:1    | <b>molex</b>   |                 |                |              |  |  |  |  |
| GENERAL TOLERANCES (UNLESS SPECIFIED)   |        | LOW PROFILE<br>TOP ENTRY JACK (THROUGH HOLE VERSION) |                 |                |              |  |  |  |  |
| ANGULAR TOL   | ± 0.5° | PRODUCT CUSTOMER DRAWING                             |                 |                |              |  |  |  |  |
| 4 PLACES  | ±      | EC NO: 686850  | 2021/06/10      |                |              |  |  |  |  |
| 3 PLACES  | ±      | DRWN: SANTHN   | 2022/01/13      |                |              |  |  |  |  |
| 2 PLACES  | ± 0.15 | CHK'D: KLANG   | 2022/01/13      |                |              |  |  |  |  |
| 1 PLACE   | ± 0.25 | APPR: KLANG  |                 |                |              |  |  |  |  |
| 0 PLACES  | ±      | INITIAL REVISION:                                    |                 |                |              |  |  |  |  |
| DRAFT WHERE APPLICABLE<br>MUST REMAIN<br>WITHIN DIMENSIONS  |        | DRWN: TMARTIN  | 2005/06/29      |                |              |  |  |  |  |
| THIRD ANGLE PROJECTION  |        | APPR: KNOLLER  | 2005/07/04      |                |              |  |  |  |  |
| DRAWING   |        | SERIES   | MATERIAL NUMBER | CUSTOMER       | SHEET NUMBER |  |  |  |  |
| A3-SIZE   |        | 95503  | SEE CHART       | GENERAL MARKET | 5 OF 5       |  |  |  |  |