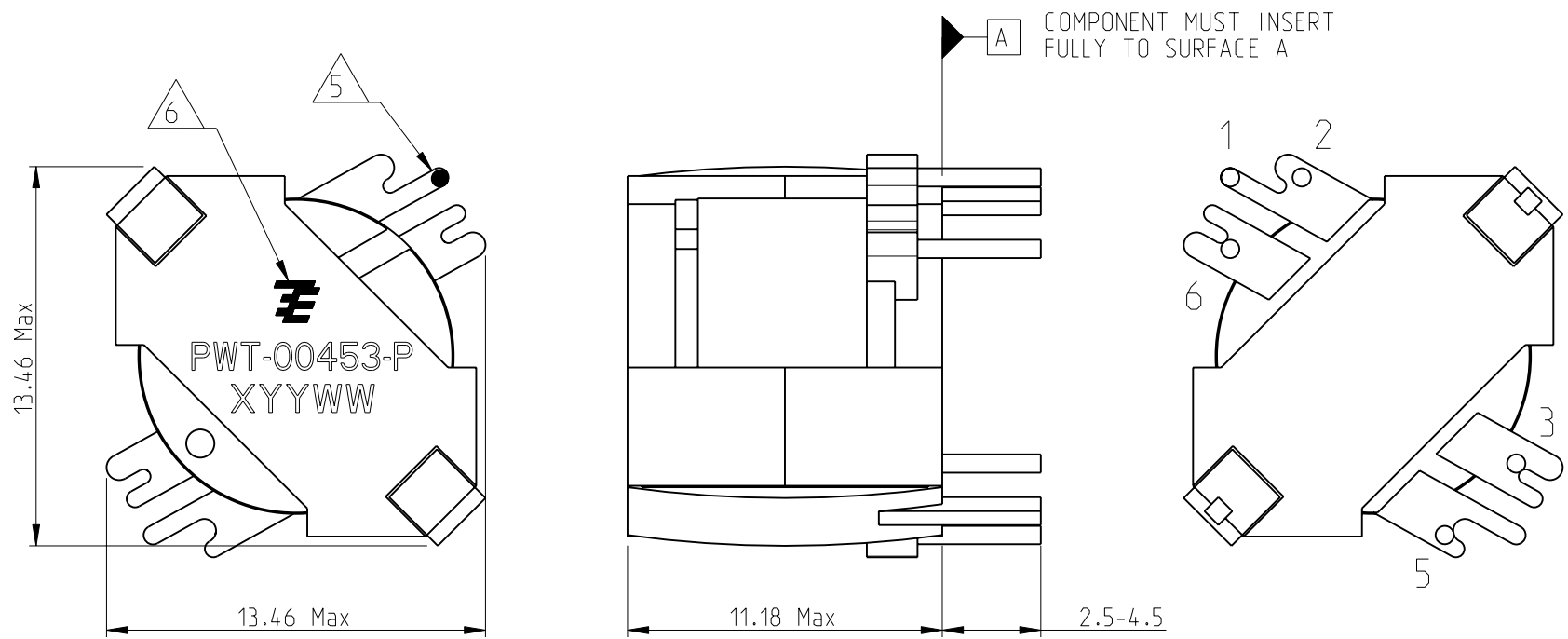


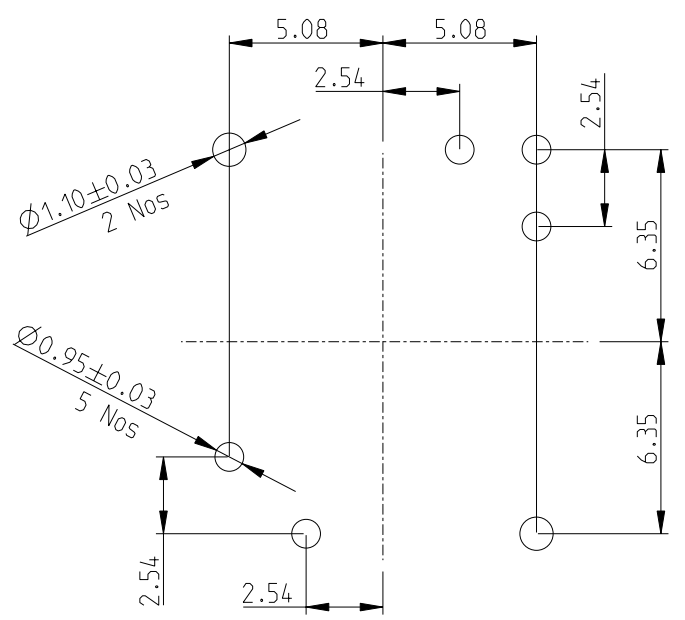
THIS DRAWING IS UNPUBLISHED. RELEASED FOR PUBLICATION 2009
 © COPYRIGHT 2009 BY TYCO ELECTRONICS CORPORATION. ALL RIGHTS RESERVED.

| LOC | DIST | REVISIONS | | | |
|-----|------|-------------|-------------|-----------|---------|
| P | LTR | DESCRIPTION | DATE | DWN | APVD |
| E | B | BA | NEW RELEASE | 05-JUN-09 | SM St.P |

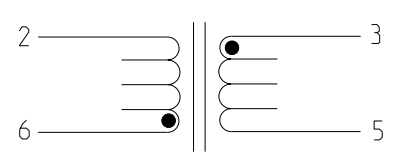


- NOTES:
- ELECTRICAL SPECIFICATIONS AT +20 °C UNLESS NOTED OTHERWISE
 INDUCTANCE (Pins 6-2): 55 μH ±10% @40kHz, 100mVAC, Ls
 D.C RESISTANCE (Pins 6-2): 0.18 Ohms Max.
 D.C RESISTANCE (Pins 3-5): 5.80 Ohms Max.
 TURN RATIO (Pins 3-5:6-2): 10:1 ±1%, 10kHz, 100mVAC
 DIELECTRIC: 500 VDC, 500 μA, 6-3, 1 SECOND TEST, 500 μA MAXIMUM LEAKAGE CURRENT
 OPERATING TEMP RANGE: -40°C TO +85°C
 - TE RESERVES THE RIGHT TO CHANGE THE SPECIFICATION WITHOUT NOTICE
 - TERMINAL PLATING IS HOT DIPPED SnAgCu OVER Ni
 - 265°C MAXIMUM REFLOW TEMPERATURE PER J-STD-020
 - △ POS-1 TERMINAL INDICATOR
 - △ EIA DATE AND LOT CODE

TERMINAL DIMENSIONS
 CUSTOMER TO DETERMINE
 PCB PAD DIMENSIONS



SCHEMATIC



RoHS Compliant

| | | | | |
|--|--|--------------------------|--|-----------------|
| THIS DRAWING IS A CONTROLLED DOCUMENT FOR TYCO ELECTRONICS CORPORATION IT IS SUBJECT TO CHANGE AND THE CONTROLLING ENGINEERING ORGANIZATION SHOULD BE CONTACTED FOR THE LATEST REVISION. | | DWN SUBHASH.M 05-JUN-09 | Tyco Electronics Corporation Dorcan, Swindon, SN3 5HH | |
| DIMENSIONS: mm | | CHK ALLAN PILE 05-JUN-09 | NAME Xfmr RM5 TH, RoHS MGPW T-00178 | |
| TOLERANCES UNLESS OTHERWISE SPECIFIED: | | APVD STEPHEN.P 05-JUN-09 | RESTRICTED TO | |
| 0 PLC ±0.5 | | PRODUCT SPEC - | SIZE A3 | CAGE CODE 00779 |
| 1 PLC ±0.2 | | APPLICATION SPEC - | DRAWING NO C=1879611 | SCALE 4:1 |
| 2 PLC ±0.1 | | WEIGHT - | SHEET 1 OF 1 | REV BA |
| 3 PLC ± | | CUSTOMER DRAWING | | |
| 4 PLC ± | | | | |
| ANGLES ±5° | | | | |
| FINISH - | | | | |