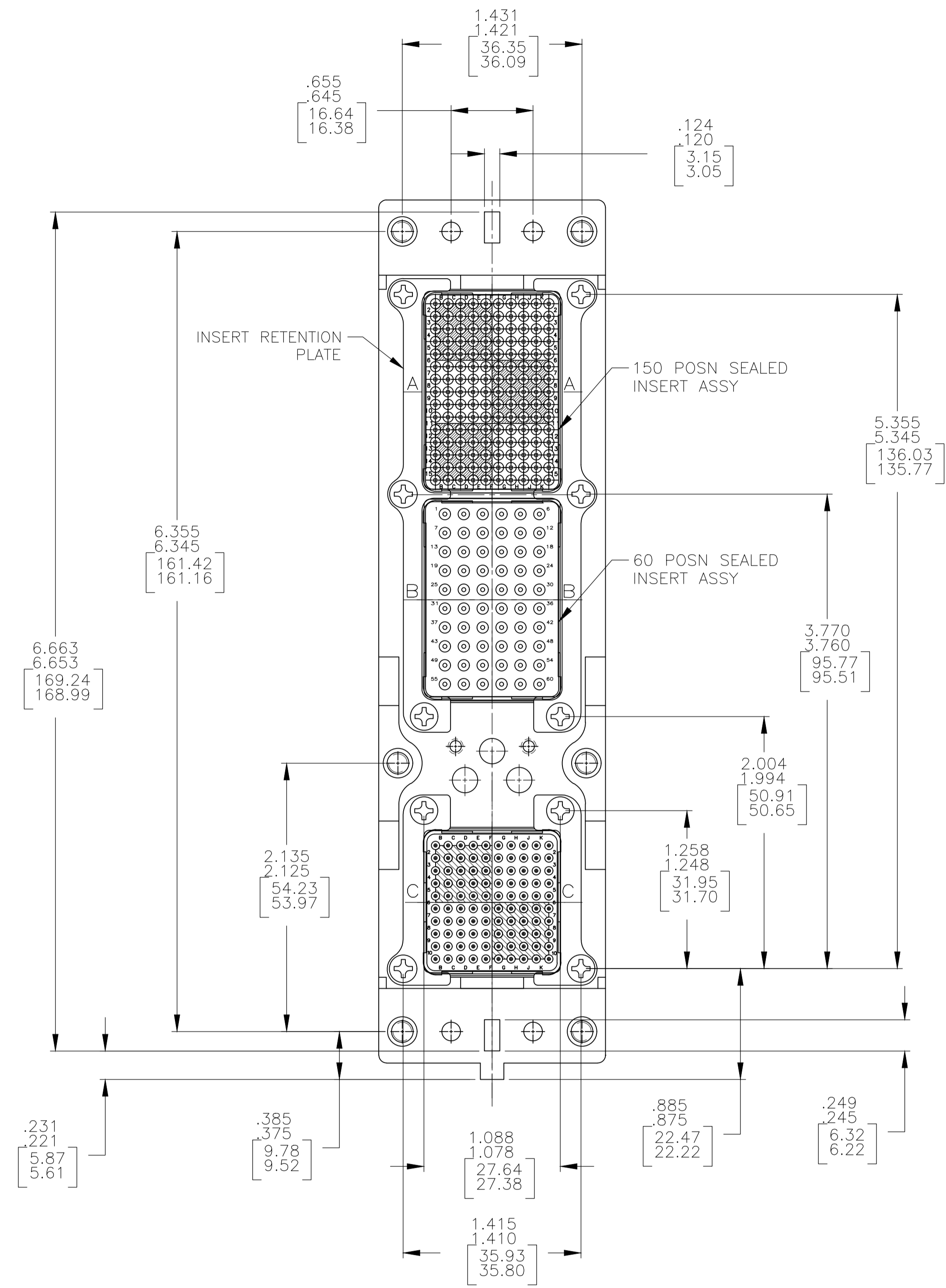
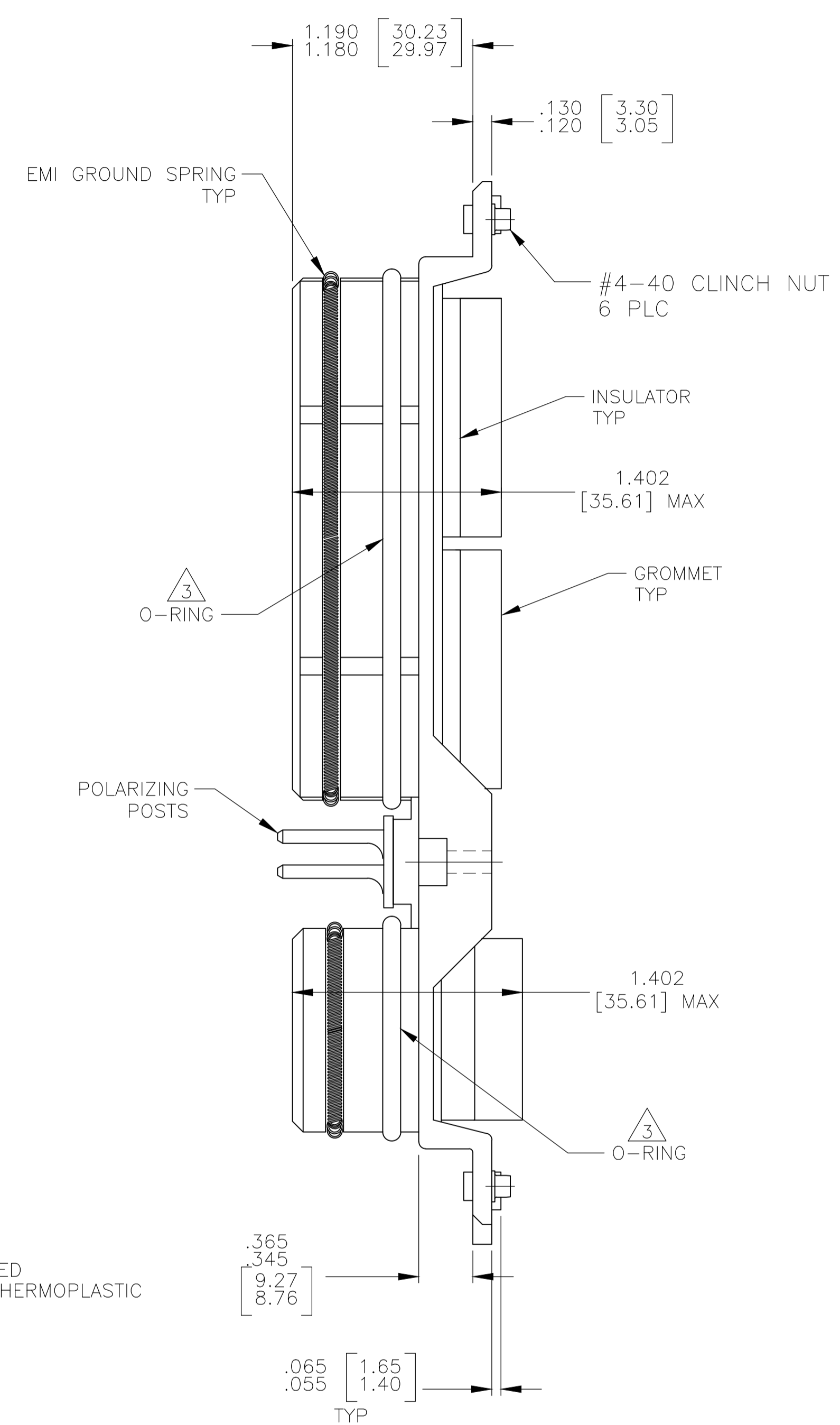
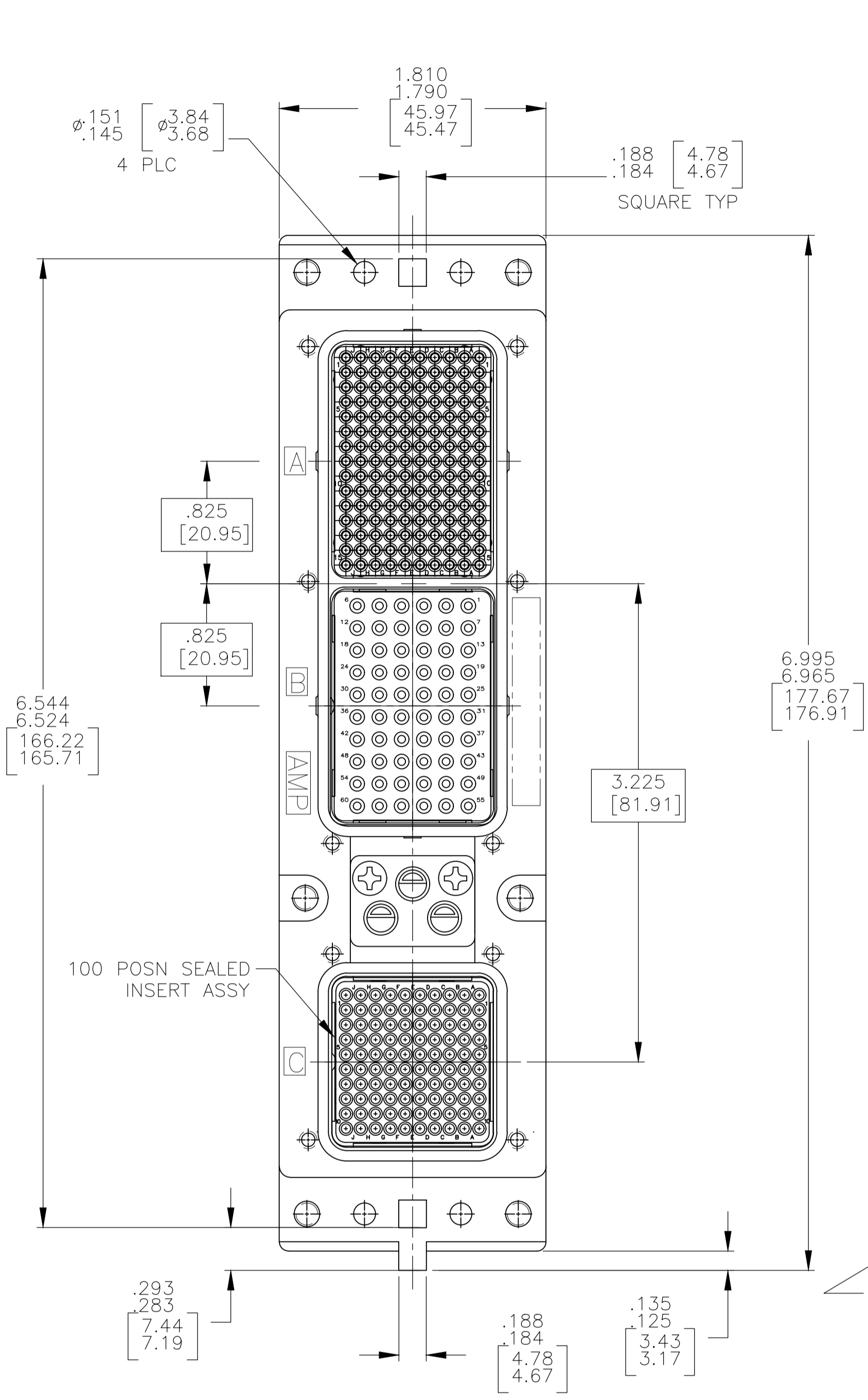


REVISIONS				
P	LTR	DESCRIPTION	DATE	DMN APVD
E	REVISED PER	ECO-17-015513	19DEC2017	PHM CT



- CONNECTOR DIMENSIONS ARE PER ARINC 600 SPECIFICATION
- KEYING SHOWN IN POSITION "01" FOR REFERENCE ONLY. CONNECTORS SHIPPED WITH KEYING INSTALLED IN POSITION PER TABLE FOR POSITION "00" KEYING SHIPPED UNASSEMBLED.
- O-RING LUBRICATED WITH PARKER SUPER O-RING-LUBE OR ENGINEERING APPROVED EQUIVALENT.

COMPONENT	MATERIAL	FINISH
SHELL	DIE CAST ALUMINUM PER ASTM-B-85	ELECTROLESS NICKEL PER MIL-C-26074.
RETENTION PLATES	ALUMINUM ALLOY PER ASTM-B-209	ELECTROLESS NICKEL PER MIL-C-26074.
SCREWS	STEEL OR STAINLESS STEEL	PASSIVATED
POLARIZING POSTS	ZINC ALLOY PER ASTM-B-86	ELECTROLESS NICKEL PER MIL-C-26074.
INSERTS	THERMOSET	-
EMI GROUND SPRING	BERYLLIUM COPPER 172 (ALLOY 29)	ELECTRODEPOSITED NICKEL PER QQ-N-290
GROMMET	FLUOROSILICONE	-
POLARIZING POST RETAINING PLATE	ALUMINUM ALLOY PER ASTM-B-209	BLUE ANODIZED PER MIL-A-8625

DESCRIPTIVE NUMBER	KEYING POSITION	CONTACTS INCLUDED NOT INSTALLED	PART NUMBER
NIC66HN402LOOSBO	"00"	MODULE A 208262-3 (SIZE 22 PIN CONTACT; QTY=150) MODULE B 208267-2 (SIZE 20 SOCKET CONTACT; QTY=60) MODULE C 208262-3 (SIZE 22 PIN CONTACT; QTY=100)	2157109-1

THIS DRAWING IS A CONTROLLED DOCUMENT.		DWG BY YEAGER 15SEP10	TE Connectivity
DIMENSIONS: INCHES		CHK K. THACKSTON 15SEP10	
TOLERANCES UNLESS OTHERWISE SPECIFIED:		APVD K. THACKSTON 15SEP10	NAME
0 PLC ± .005	1 PLC ± .005	PRODUCT SPEC	PLUG ASSY, SIZE 2, ARINC 600, (150/60/100)
2 PLC ± .005	3 PLC ± .005	APPLICATION SPEC	SIZE
4 PLC ± .005	ANGLES ± .005	WEIGHT	CAGE CODE DRAWING NO
MATERIAL SEE TABLE	FINISH SEE TABLE	CUSTOMER DRAWING	A1 00779 C=2157109
SCALE 1:1		SHEET 1 OF 1	REV E