

PCN10 Series

IEC603-2 / DIN41612 Standard Compliant Products



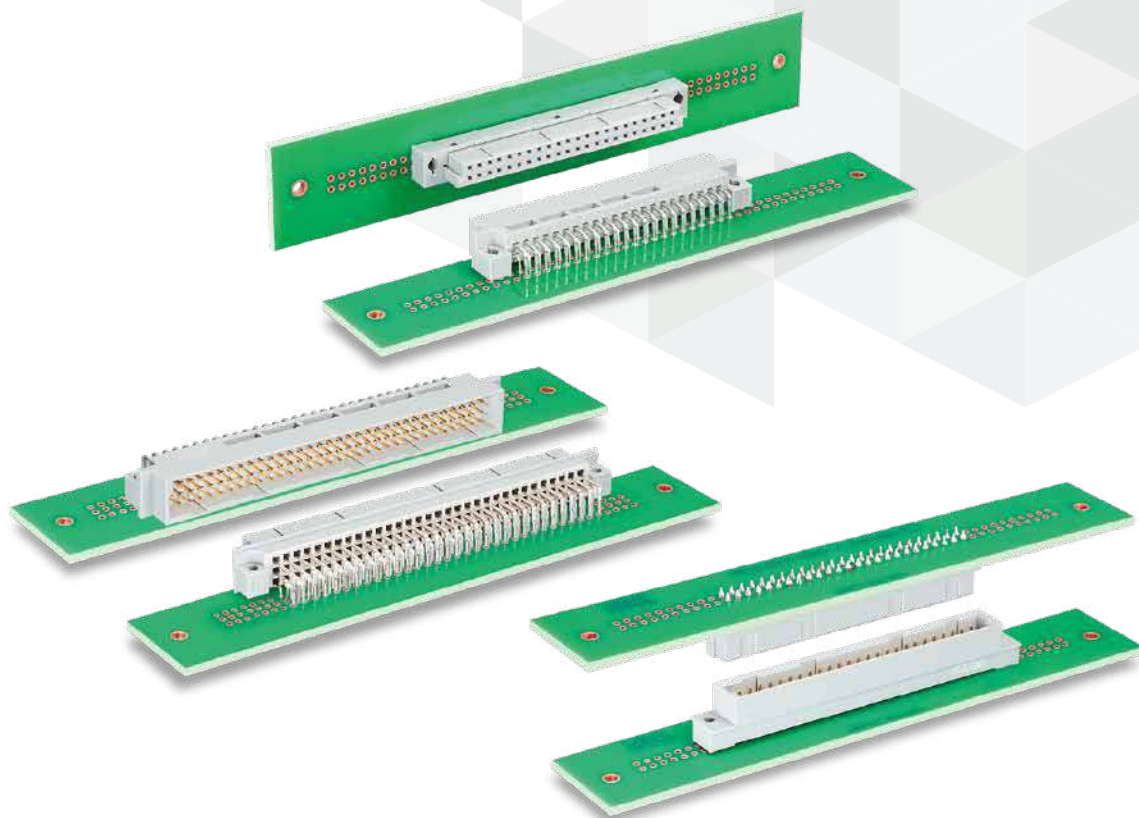
DIN Standard



P=2.54 mm



Wide Variation



Features

1. Complies with DIN Standard

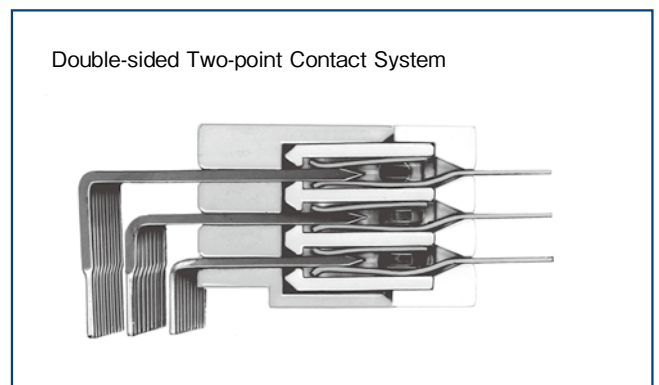
Complies with IEC603-2/DIN41612 standard.

2. Number of Positions

14 pin variations available : 16, 20, 24, 30, 32, 44, 48, 50, 64, 90, 96, 100, 128, and 144

3. Two-point Contact Design

Highly reliable double-sided two point contacts.



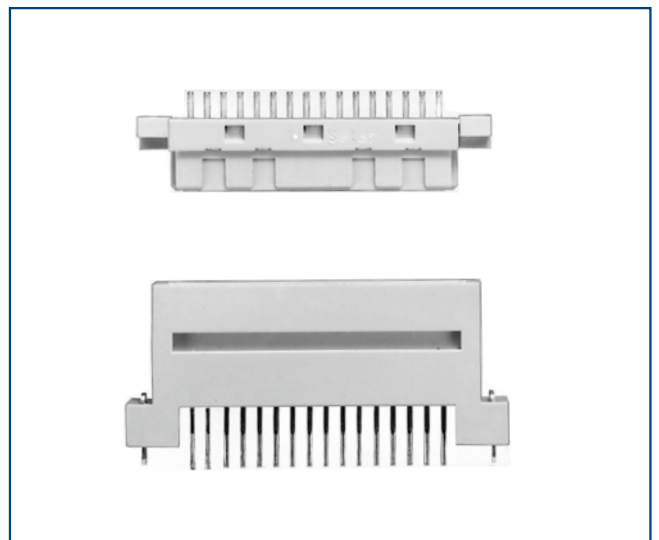
Two-point Contact Design

4. Wide Applications

DIN standard types of B,C,R, and Q are available. The easy lock pin type for temporary board installation is available.

5. Stacking Height Variation

The PCN10H Series includes 5 stacking height variations : 25, 30, 35, 40 and 45mm.



Stacking Connector

6. Circuit Protection

The PCN10MC Series has a sequence design for circuit protection.

7. Cable Connector

IDC connectors for ribbon cable are available.
Crimp connectors compatible with 26-30 AWG are also available.

Applications

Computers, Control Equipment, Switches, Measuring Devices, etc.

Product Specifications

Rated Current	2A	Operating Temperature (Note 1)	-55 to +85°C
Rated Voltage	300V AC	Operating Humidity Range	85% Max.
		Storage Temperature (Note 2)	-10 to +60°C
		Storage Humidity Range (Note 2)	40 to 70%

Item	Specification	Condition
Insulation Resistance	10 ⁶ M Ω Min.	Measured at 100V DC
Withstanding Voltage	No flashover or insulation breakdown.	1000V AC for 1 min. (IDC, Crimp Type : 650V AC)
Contact Resistance	20m Ω Max.	Measured at 0.1A
Vibration Resistance	No electrical discontinuity of 10 μ s Min.	Frequency : 10 to 55 Hz, single amplitude of 0.75 mm, 2 hours in each of the 3 directions.
Humidity (Steady State)	Insulation resistance : 10 ⁶ M Ω Min.	96 hours at temperature of 40 ± 2°C and humidity of 90% to 95%
Temperature Cycle	No damage, cracks, or parts looseness.	(-65°C : 30 minutes → 15 to 35°C : 5 minutes Max. → 125°C : 30 minutes → 15 to 35°C : 5 minutes Max.) 5 times
Mating Durability	Contact resistance : 20m Ω Max.	500 times
Soldering Heat Resistance	No deformation of components affecting performance.	Manual soldering : 350°C for 3 seconds

Note 1 : Includes the temperature rise due to current flow.

Note 2 : The term "storage" refers to products stored for long period of time prior to mounting and use. The operating temperature and humidity range applies to the non-energized state after board mounting and temporary storage during transportation.

Material / Finish

Component		Material	Color/Finish	Remarks
Insulator		PBT	Gray	UL94V-0
Contact	Pin Header	Brass	Contact Area: Nickel Underplated+Gold Plated Remaining Areas: Nickel Underplated+Tin Plated	-
	Receptacle	Copper Alloy		

Product Number Structure

■ PCN10 Series

Refer to the chart below when determining the product specifications from the product number.
Please select from the product numbers listed in this catalog when placing orders.

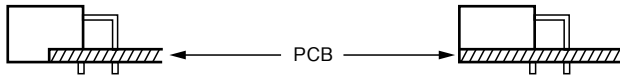
PCN10 A - # P - 2.54 DS

- ① ② ③ ④ ⑤ ⑥

① Series Name	PCN10	③ No. of Pos.	2-row : 16,20,24,32,44,50,64,90,100 3-row : 48,96,144 4-row : 128
② Configuration	Blank : Mold Type (as listed below) A : Mold Type (as listed below) B : Mold Type (as listed below) C : 2-row Type EA : 2-row Type (With Lock Pin for Temporary Board Installation) H : 35mm Stacking Height HA : 30mm Stacking Height HB : 25mm Stacking Height HC : 45mm Stacking Height HD : 40mm Stacking Height MC : With Circuit Protection	④ Connector Type	P : Pin Header S : Receptacle
		⑤ Contact Pitch	2.54mm
		⑥ Contact Type	DS : Right Angle Through Hole Type DSA : Straight Through Hole Type WA : Wrapping Type (0.5tx0.7W) WB : Wrapping Type (0.5tx0.5W) C : Crimp Type

PCN10 (Note)
PCN10B

PCN10A
PCN10EA



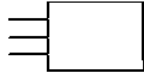
Note : However the right angle 2-row receptacle type is PCN10A.

Combination

Pin Header

● Straight Through Hole Type

PCN10-##P-2.54DSA



● Stacking Through Hole Type

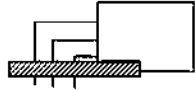
PCN10H#-##P-2.54DSA



*Does not mate with PCN10EA-##S-2.54DSA.

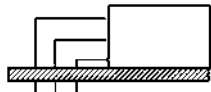
● Right Angle Through Hole Type
(Mounted on Board Edge)

PCN10-##P-2.54DS
PCN12-##P-2.54DS
PCN12E-##P-2.54DS



● Right Angle Through Hole Type
(Board Mounted)

PCN10A-##P-2.54DS
PCN10EA-##P-2.54DS
PCN12A-##P-2.54DS
PCN12EA-##P-2.54DS



Receptacle

● Straight Through Hole Type

PCN10-##S-2.54DSA
PCN10C-##S-2.54DSA
PCN10EA-##S-2.54DSA
PCN12-##S-2.54DSA
PCN12E-##S-2.54DSA
PCN13-##S-2.54DSA

● Wrapping Type

PCN10-##S-2.54W#

● Right Angle Through Hole Type
(Mounted On The Board Edge)

PCN10B-##S-2.54DS

● Right Angle Through Hole Type
(Mounted On The Board)

PCN10A-##S-2.54DS
PCN10C-##S-2.54DS
PCN13-##S-2.54DS

● Cable Type

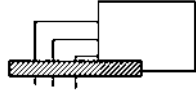
PCN10-##S-2.54C + PCN10-####SC#
PCN10-##S-2.54R

■ Circuit Protection Type

Pin Header

● Right Angle Through Hole Type

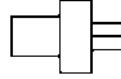
PCN10MC#-##P-2.54DS



Receptacle

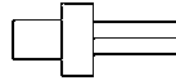
● Straight Through Hole Type

PCN10MC#-##S-2.54DSA



● Wrapping Type

PCN10MC#-##S-2.54W#



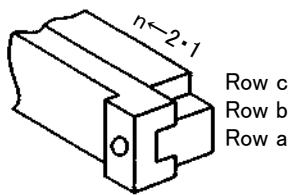
Contact Numbers

For the mating of DIN Standard type C (Type B) and Type R (Type Q), the contact numbers are No.1-32 and the rows are a, b, and c.

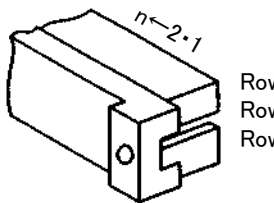
- DIN standard type C and type R represent the 3-row 96 contacts type, including 32 contacts in single-row.
- DIN standard type B and type Q represent the 2-row 64 contacts type, including 32 contacts in single-row.

1. Receptacle Straight Type

Type C (Type B)



Contact No.
Inverted



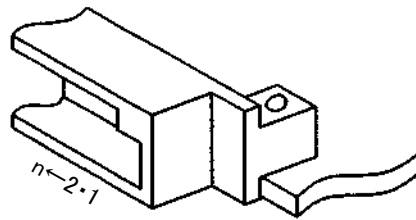
3. Pin Header Straight Type

Type R (Type Q)

2. Pin Header Right Angle Type

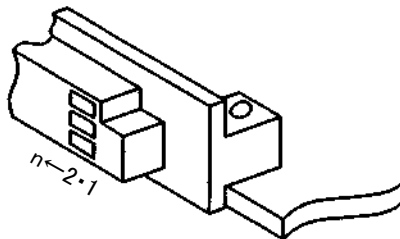
Type C (Type B)

Row c
Row b
Row a



Contact No.
Inverted

Row c
Row b
Row a

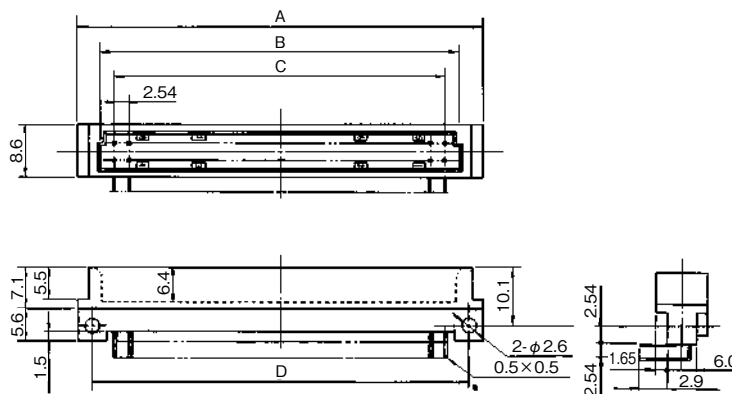
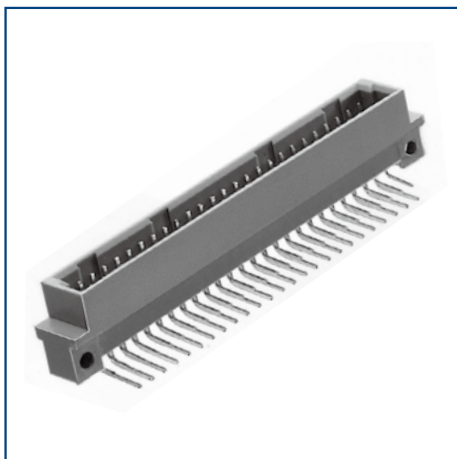


4. Receptacle Right Angle Type

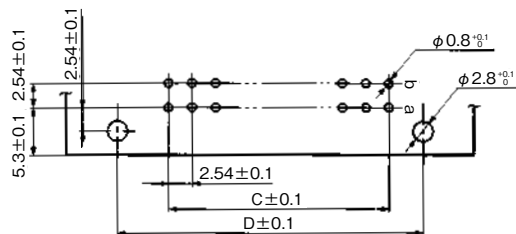
Type R (Type Q)

Note : DIN connectors are standardized based on a combination of straight and right angle types. In the above figure, the contact no. of combination 1-2, 3-4 match, but the contact no. of combination 1-3, 2-4 are inverted.

Pin Header : 2-row Right Angle Type (DIN Standard Type B)



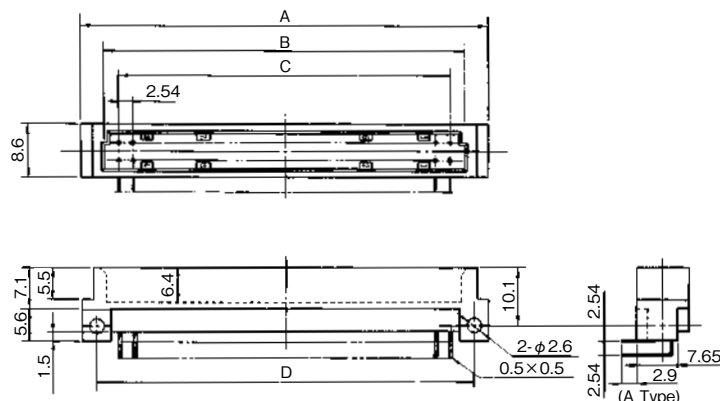
PCB Mounting Pattern



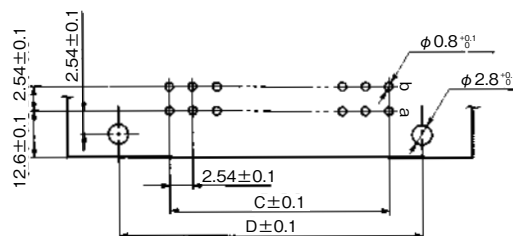
Unit : mm

Part No.	HRS No.	No. of Pos.	A	B	C	D	RoHS	Purchase Unit
PCN10-16P-2.54DS(72)	CL0583-0230-9-72	16	33.04	24.39	17.78	27.94	Yes	40pcs per tray
PCN10-20P-2.54DS(72)	CL0583-0077-3-72	20	38.12	29.47	22.86	33.02		20pcs per tray
PCN10-32P-2.54DS(72)	CL0583-0015-6-72	32	53.36	44.71	38.10	48.26		10pcs per tray
PCN10-44P-2.54DS(72)	CL0583-0038-1-72	44	68.60	59.95	53.34	63.50		
PCN10-50P-2.54DS(72)	CL0583-0016-9-72	50	76.22	67.57	60.96	71.12		
PCN10-64P-2.54DS(72)	CL0583-0017-1-72	64	94.00	85.35	78.74	88.90		
PCN10-90P-2.54DS(72)	CL0583-0018-4-72	90	127.02	118.37	111.76	121.92		
PCN10-100P-2.54DS(72)	CL0583-0113-5-72	100	139.72	131.07	124.46	134.62		

Pin Header : 2-row Right Angle Type



PCB Mounting Pattern

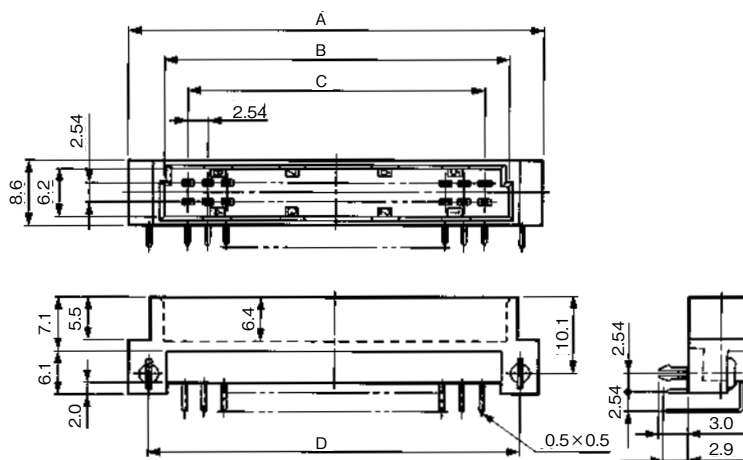


Unit : mm

Part No.	HRS No.	No. of Pos.	A	B	C	D	RoHS	Purchase Unit
PCN10A-16P-2.54DS(72)	CL0583-0231-1-72	16	33.04	24.39	17.78	27.94	Yes	40pcs per tray
PCN10A-20P-2.54DS(72)	CL0583-0078-6-72	20	38.12	29.47	22.86	33.02		
PCN10A-32P-2.54DS(72)	CL0583-0011-5-72	32	53.36	44.71	38.10	48.26		
PCN10A-44P-2.54DS(72)	CL0583-0039-4-72	44	68.60	59.95	53.34	63.50		
PCN10A-50P-2.54DS(72)	CL0583-0012-8-72	50	76.22	67.57	60.96	71.12		
PCN10A-64P-2.54DS(72)	CL0583-0013-0-72	64	94.00	85.35	78.74	88.90		
PCN10A-90P-2.54DS(72)	CL0583-0014-3-72	90	127.02	118.37	111.76	121.92		
PCN10A-100P-2.54DS(72)	CL0583-0114-8-72	100	139.72	131.07	124.46	134.62	10pcs per tray	

Pin Header : 2-row Right Angle Type

●With Lock Pin for Temporary Board Installation

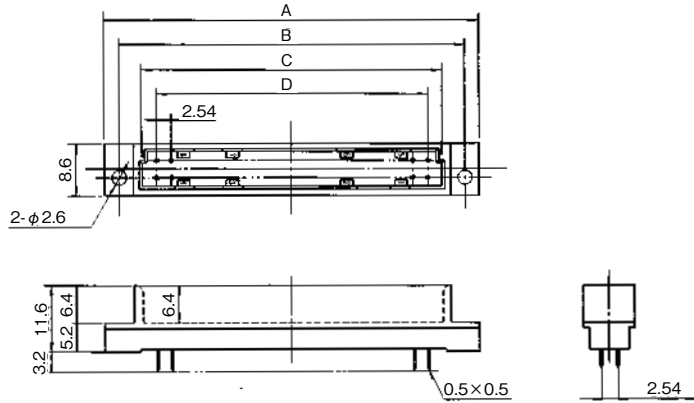
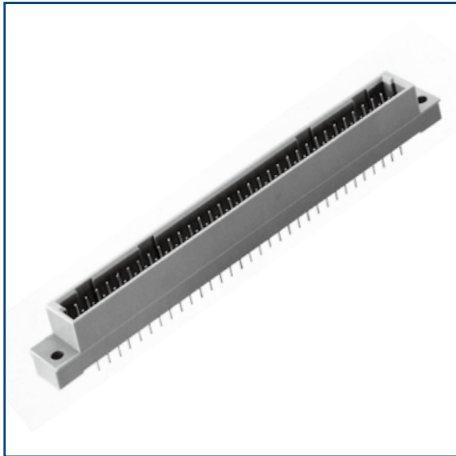


●The PCB mounting pattern is equivalent to PCN10A-#P-2.54DS(72).

Unit : mm

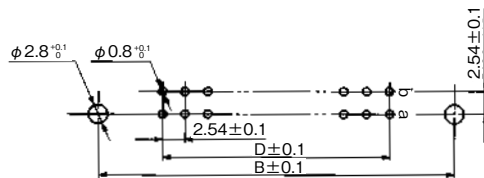
Part No.	HRS No.	No. of Pos.	A	B	C	D	RoHS	Purchase Unit
PCN10EA-16P-2.54DS(72)	CL0583-0256-2-72	16	33.04	24.39	17.78	27.94	Yes	40pcs per tray
PCN10EA-20P-2.54DS(72)	CL0583-0181-5-72	20	38.12	29.47	22.86	33.02		
PCN10EA-32P-2.54DS(72)	CL0583-0182-8-72	32	53.36	44.71	38.10	48.26		20pcs per tray
PCN10EA-44P-2.54DS(72)	CL0583-0183-0-72	44	68.60	59.95	53.34	63.50		
PCN10EA-50P-2.54DS(72)	CL0583-0184-3-72	50	76.22	67.57	60.96	71.12		10pcs per tray
PCN10EA-64P-2.54DS(72)	CL0583-0185-6-72	64	94.00	85.35	78.74	88.90		
PCN10EA-90P-2.54DS(72)	CL0583-0186-9-72	90	127.02	118.37	111.76	121.92		
PCN10EA-100P-2.54DS(72)	CL0583-0187-1-72	100	139.72	131.07	124.46	134.62		

Pin Header : 2-row Straight Type



*Type Q differs in the outer dimensions and PCB mounting pattern.

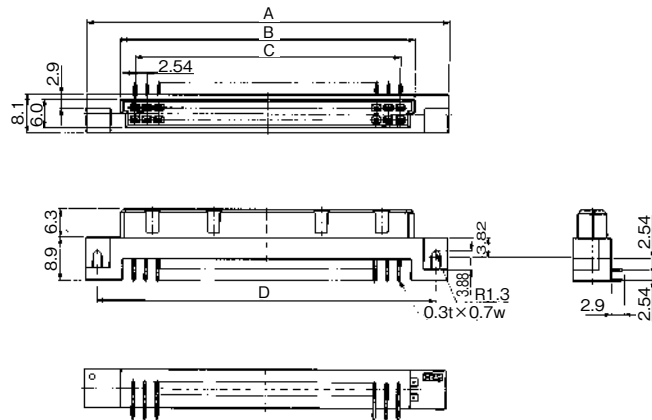
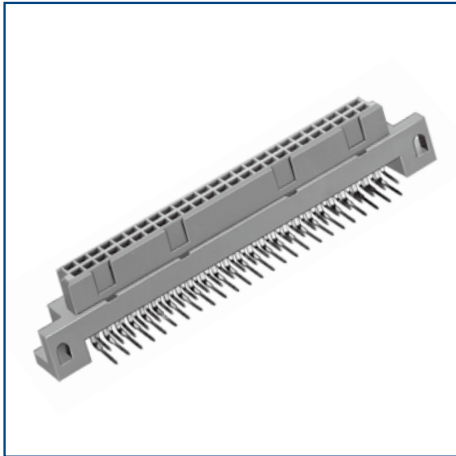
PCB Mounting Pattern



Unit : mm

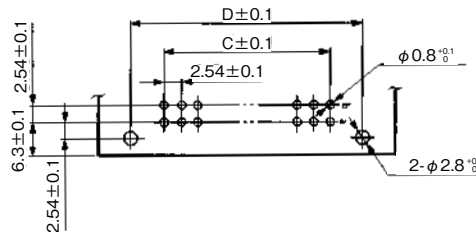
Part No.	HRS No.	No. of Pos.	A	B	C	D	RoHS	Purchase Unit
PCN10-20P-2.54DSA(72)	CL0583-0139-9-72	20	43.30	38.10	29.47	22.86	Yes	45pcs per tray
PCN10-32P-2.54DSA(72)	CL0583-0007-8-72	32	58.54	53.34	44.71	38.10		30pcs per tray
PCN10-44P-2.54DSA(72)	CL0583-0488-8-72	44	73.78	68.58	59.95	53.54		15pcs per tray
PCN10-50P-2.54DSA(72)	CL0583-0008-0-72	50	81.40	76.20	67.57	60.96		
PCN10-64P-2.54DSA(72)	CL0583-0009-3-72	64	99.18	93.98	85.35	78.74		
PCN10-90P-2.54DSA(72)	CL0583-0010-2-72	90	132.20	127.00	118.37	111.76		
PCN10-100P-2.54DSA(72)	CL0583-0251-9-72	100	144.90	139.70	131.07	124.46		

Receptacle : 2-row Right Angle Type



*Type Q differs in the external size and PCB mounting pattern.

PCB Mounting Pattern

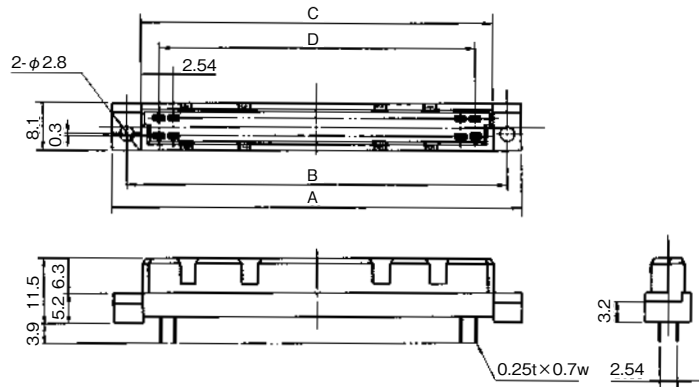
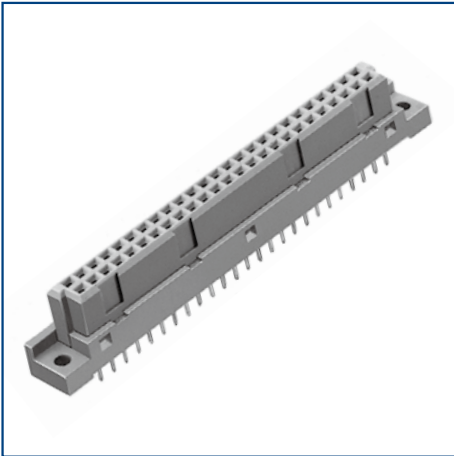


Unit : mm

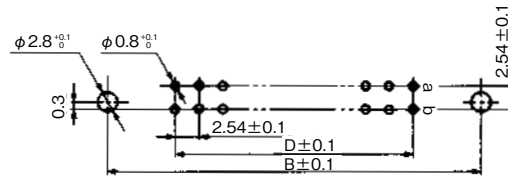
Part No.	HRS No.	No. of Pos.	A	B	C	D	RoHS	Purchase Unit
PCN10C-20S-2.54DS(72)	CL0583-0201-0-72	20	43.10	29.12	22.86	38.10	Yes	33pcs per tray
PCN10C-32S-2.54DS(72)	CL0583-0202-3-72	32	58.34	44.36	38.10	53.34		22pcs per tray
PCN10C-44S-2.54DS(72)	CL0583-0052-2-72	44	73.58	59.60	53.34	68.58		11pcs per tray
PCN10C-50S-2.54DS(72)	CL0583-0168-7-72	50	81.20	67.22	60.96	76.20		
PCN10C-64S-2.54DS(72)	CL0583-0203-6-72	64	98.98	85.00	78.74	93.98		
PCN10C-90S-2.54DS(72)	CL0583-0204-9-72	90	132.00	118.02	111.76	127.00		
PCN10C-100S-2.54DS(72)	CL0583-0178-0-72	100	144.70	130.72	124.46	139.70		

Note : DIN standard type Q (Reverse type of type B) is PCN10B-64S-2.54DS(72).

Receptacle : 2-row Straight Type (DIN Standard Type B)



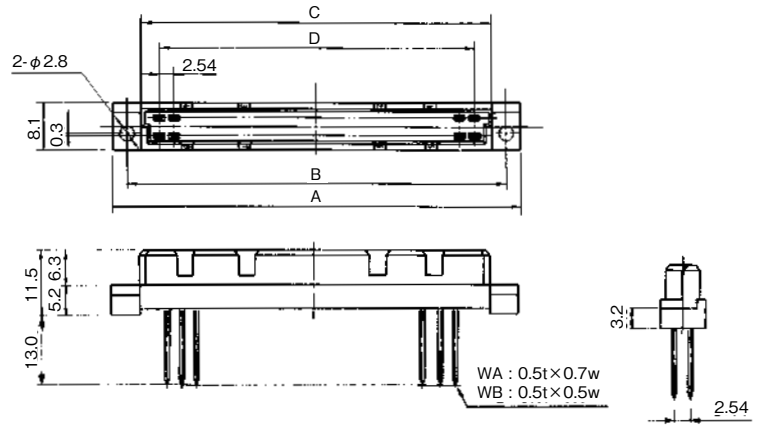
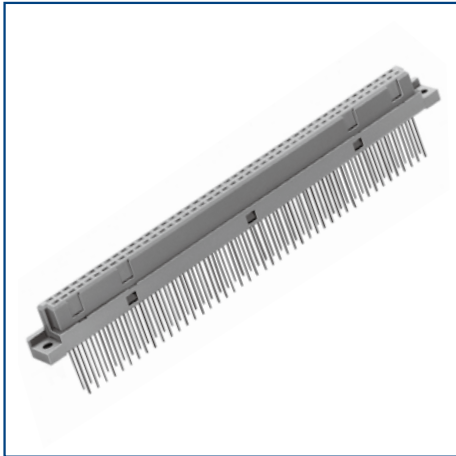
PCB Mounting Pattern



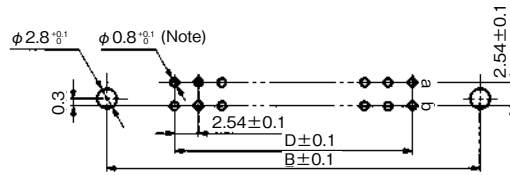
Unit : mm

Part No.	HRS No.	No. of Pos.	A	B	C	D	RoHS	Purchase Unit
PCN10-32S-2.54DSA(72)	CL0583-0019-7-72	32	54.36	49.36	44.36	38.10	Yes	50pcs per tray
PCN10-50S-2.54DSA(72)	CL0583-0020-6-72	50	77.22	72.22	67.22	60.96		30pcs per tray
PCN10-64S-2.54DSA(72)	CL0583-0021-9-72	64	95.00	90.00	85.00	78.74		

Receptacle : 2-row Wrapping Type (DIN Standard Type B)



PCB Mounting Pattern

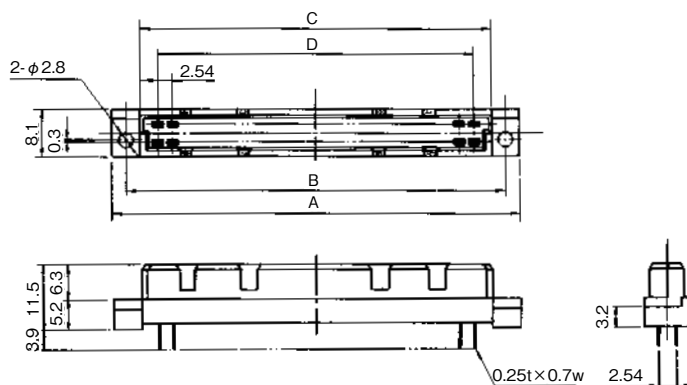
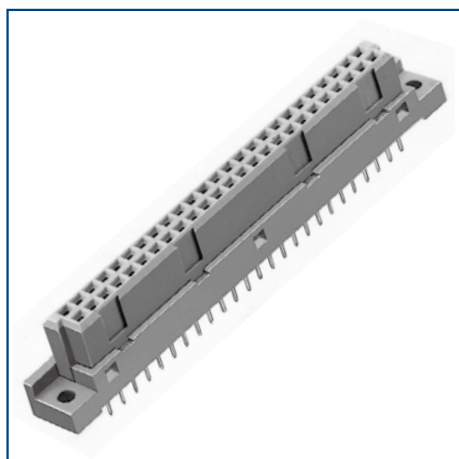


Note : WA type is $\phi 1.0^{+0.1}$

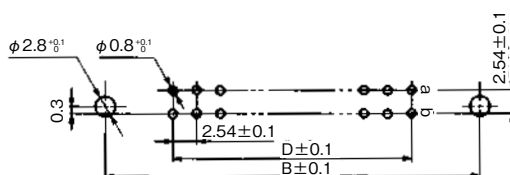
Unit : mm

Part No.	HRS No.	No. of Pos.	A	B	C	D	RoHS	Purchase Unit
PCN10-32S-2.54WA(72)	CL0583-0107-2-72	32	54.36	49.36	44.36	38.10	Yes	26pcs per tray
PCN10-50S-2.54WB(72)	CL0583-0068-2-72	50	77.22	72.22	67.22	60.96		
PCN10-64S-2.54WA(72)	CL0583-0109-8-72	64	95.00	90.00	85.00	78.74		

Receptacle : 2-row Straight Type (DIN Standard Type B)



PCB Mounting Pattern

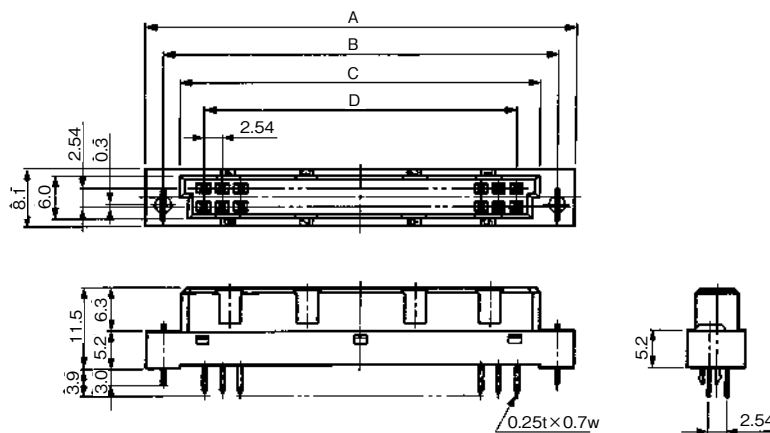
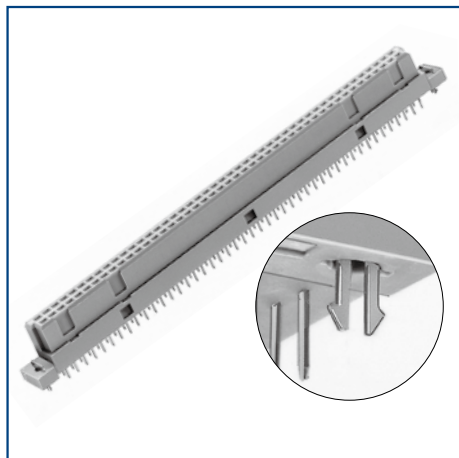


Unit : mm

Part No.	HRS No.	No. of Pos.	A	B	C	D	RoHS	Purchase Unit
PCN10C-16S-2.54DSA(52)	CL0583-0226-1-52	16	34.04	29.04	24.04	17.78	Yes	80pcs per tray
PCN10C-20S-2.54DSA(52)	CL0583-0079-9-52	20	39.12	34.12	29.12	22.86		70pcs per tray
PCN10C-32S-2.54DSA(52)	CL0583-0033-8-52	32	54.36	49.36	44.36	38.10		50pcs per tray
PCN10C-44S-2.54DSA(52)	CL0583-0034-0-52	44	69.60	64.60	59.60	53.34		40pcs per tray
PCN10C-50S-2.54DSA(52)	CL0583-0035-3-52	50	77.22	72.22	67.22	60.96		30pcs per tray
PCN10C-64S-2.54DSA(52)	CL0583-0036-6-52	64	95.00	90.00	85.00	78.74		20pcs per tray
PCN10C-90S-2.54DSA(52)	CL0583-0037-9-52	90	128.02	123.02	118.02	111.76		
PCN10C-100S-2.54DSA(52)	CL0583-0112-2-52	100	140.72	135.72	130.72	124.46		

Receptacle : 2-row Straight Type (DIN Standard Type B)

- With Lock Pin for Temporary Board Installation

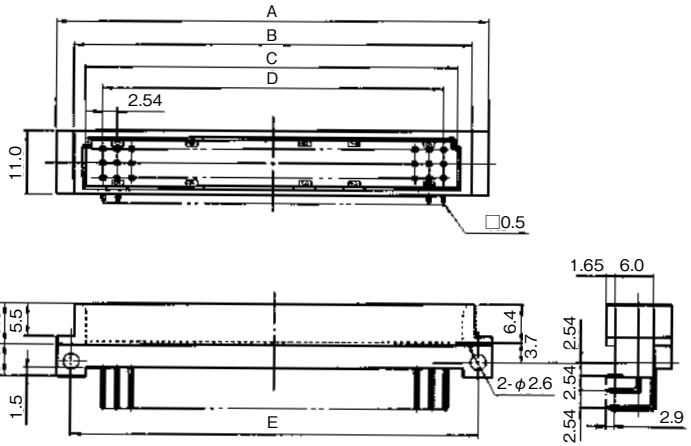
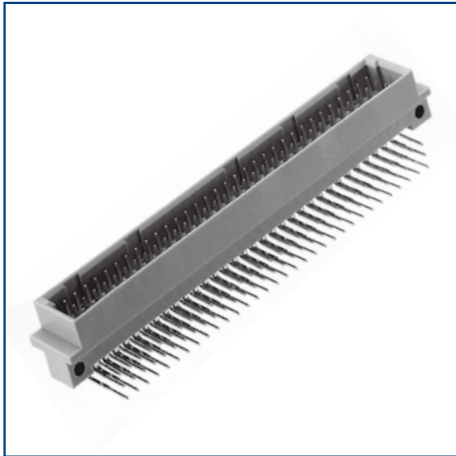


- The PCB mounting pattern is equivalent to PCN10-#S-2.54DSA(72) and PCN10C-#S-2.54DSA(52).

Unit : mm

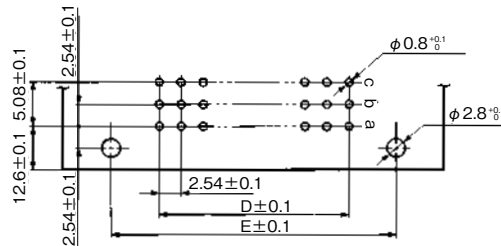
Part No.	HRS No.	No. of Pos.	A	B	C	D	RoHS	Purchase Unit
PCN10EA-20S-2.54DSA(52)	CL0583-0188-4-52	20	39.12	34.12	29.12	22.86	Yes	70pcs per tray
PCN10EA-32S-2.54DSA(52)	CL0583-0189-7-52	32	54.36	49.36	44.36	38.10		50pcs per tray
PCN10EA-44S-2.54DSA(52)	CL0583-0190-6-52	44	69.60	64.60	59.60	53.34		40pcs per tray
PCN10EA-50S-2.54DSA(52)	CL0583-0191-9-52	50	77.22	72.22	67.22	60.96		30pcs per tray
PCN10EA-64S-2.54DSA(52)	CL0583-0192-1-52	64	95.00	90.00	85.00	78.74		20pcs per tray
PCN10EA-90S-2.54DSA(52)	CL0583-0193-4-52	90	128.02	123.02	118.02	111.76		
PCN10EA-100S-2.54DSA(52)	CL0583-0194-7-52	100	140.72	135.72	130.72	124.46		

Pin Header : 3-row Right Angle Type (DIN Standard Type C)



The 48pos. variation has guide key grooves in 8 locations.

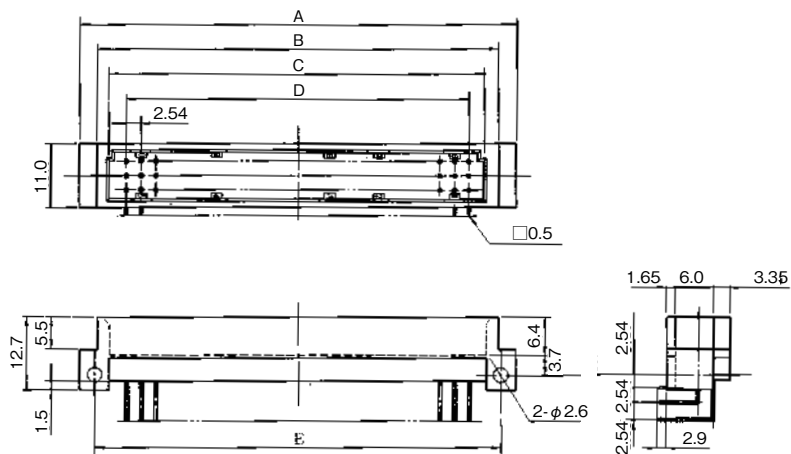
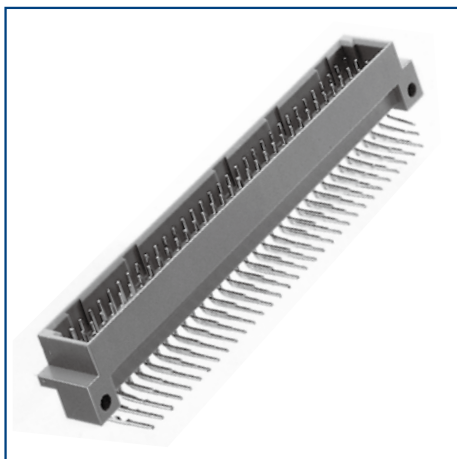
PCB Mounting Pattern



Unit : mm

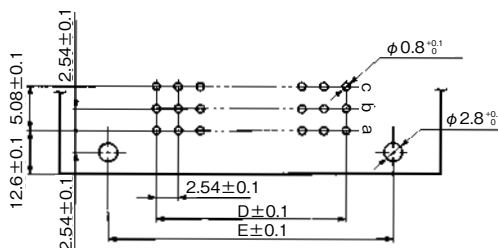
Part No.	HRS No.	No. of Pos.	A	B	C	D	E	RoHS	Purchase Unit
PCN10-48P-2.54DS (72)	CL0583-0063-9-72	48	53.36	47.36	44.61	38.10	48.26	Yes	48pcs per tray
PCN10-96P-2.54DS (72)	CL0583-0001-1-72	96	94.00	88.00	85.25	78.74	88.90		24pcs per tray

Pin Header : 3-row Right Angle Type



The 48pos. variation has guide key grooves in 8 locations.

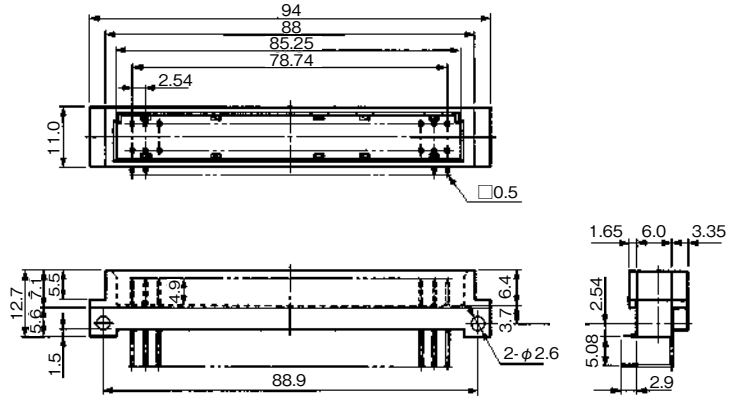
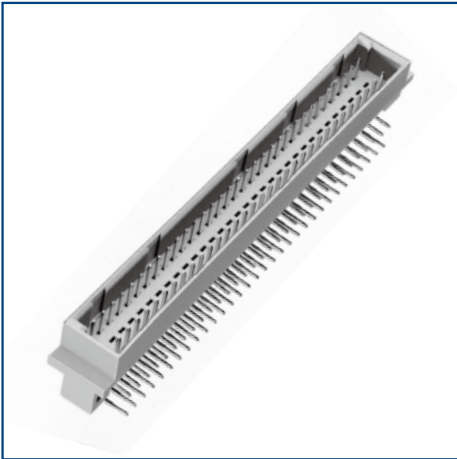
PCB Mounting Pattern



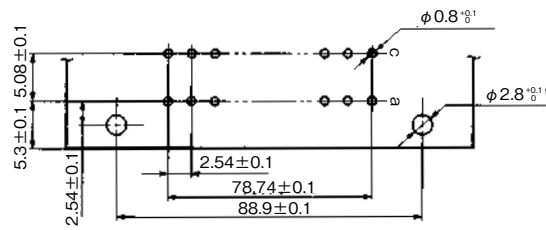
Unit : mm

Part No.	HRS No.	No. of Pos.	A	B	C	D	E	RoHS	Purchase Unit
PCN10A-48P-2.54DS(72)	CL0583-0064-1-72	48	53.36	47.36	44.61	38.10	48.26	Yes	48pcs per tray
PCN10A-96P-2.54DS(72)	CL0583-0006-5-72	96	94.00	88.00	85.25	78.74	88.90		24pcs per tray

Pin Header : Right Angle Type



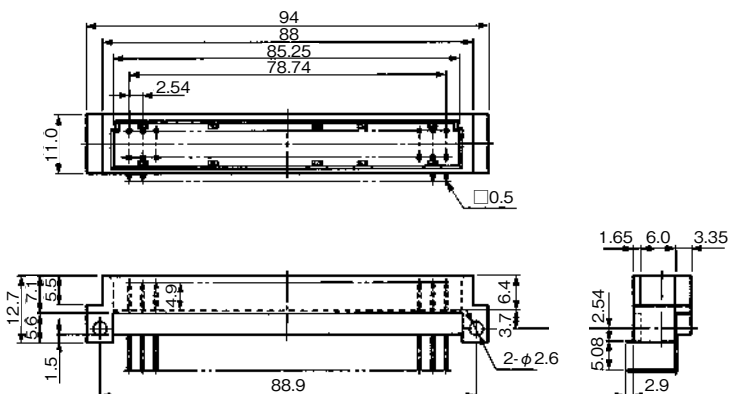
PCB Mounting Pattern



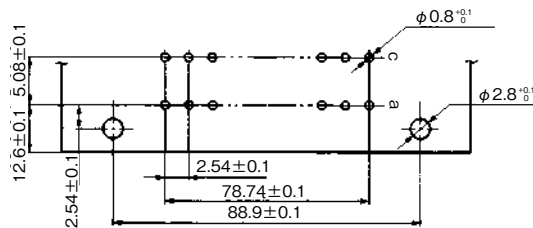
Unit : mm

Part No.	HRS No.	No. of Pos.	RoHS	Purchase Unit
PCN10-64ACP-2.54DS(72)	CL0583-0046-0-72	64	Yes	24pcs per tray

Pin Header : Right Angle Type



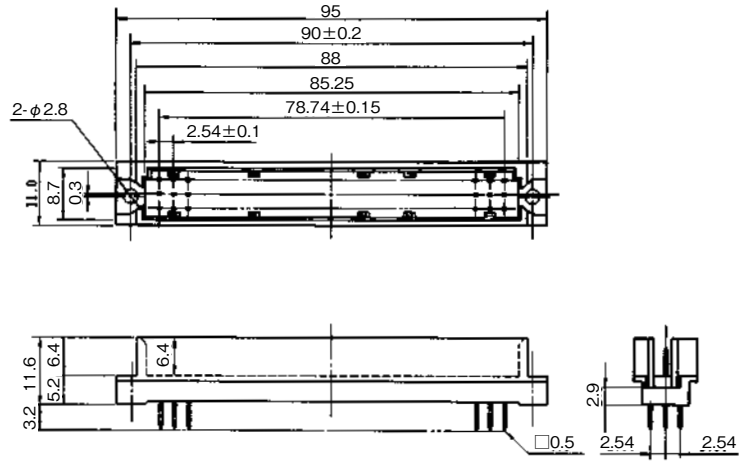
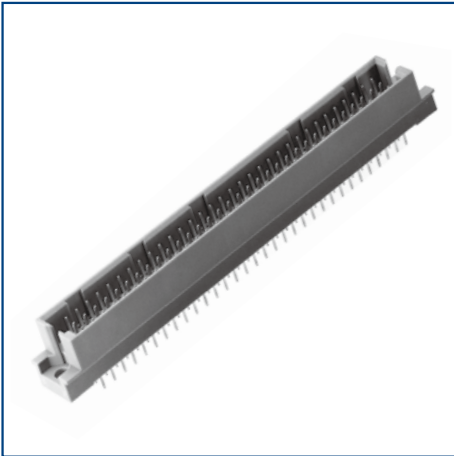
PCB Mounting Pattern



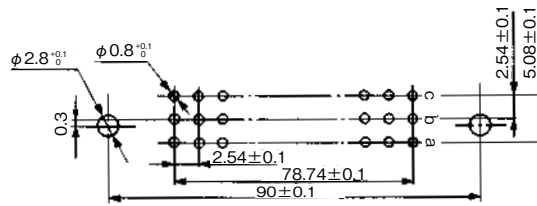
Unit : mm

Part No.	HRS No.	No. of Pos.	RoHS	Purchase Unit
PCN10A-64ACP-2.54DS(72)	CL0583-0032-5-72	64	Yes	24pcs per tray

Pin Header : 3-row Straight Type (DIN Standard Type R)



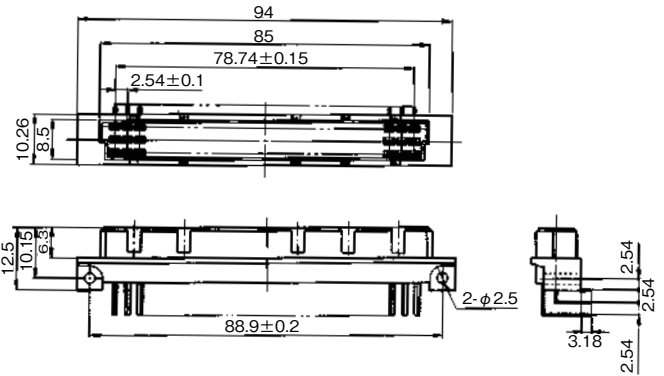
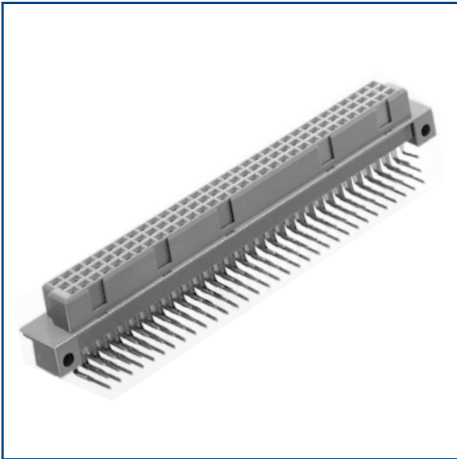
PCB Mounting Pattern



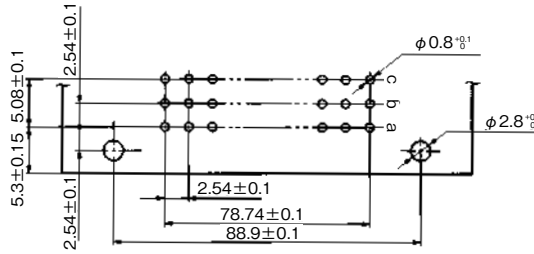
Unit : mm

Part No.	HRS No.	No. of Pos.	RoHS	Purchase Unit
PCN10-96P-2.54DSA(72)	CL0583-0002-4-72	96	Yes	24pcs per tray

Receptacle : 3-row Right Angle Type



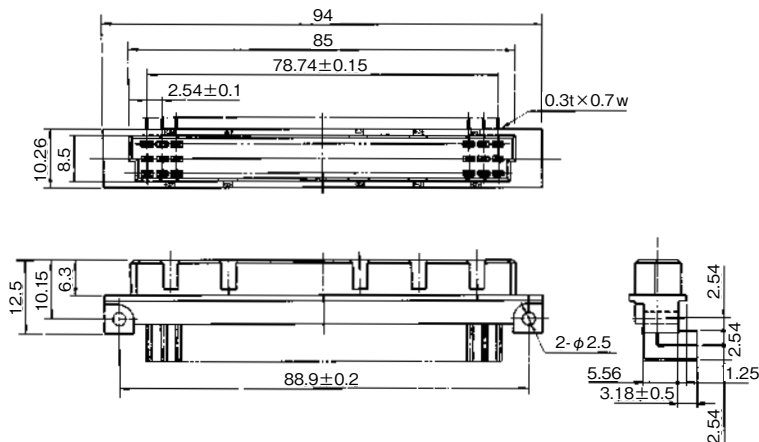
PCB Mounting Pattern



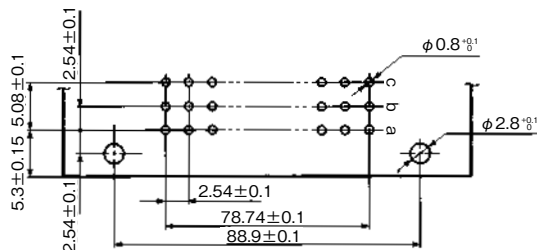
Unit : mm

Part No.	HRS No.	No. of Pos.	RoHS	Purchase Unit
PCN10A-96S-2.54DS(72)	CL0583-0027-5-72	96	Yes	24pcs per tray

Receptacle : 3-row Right Angle Type (DIN Standard Type R)



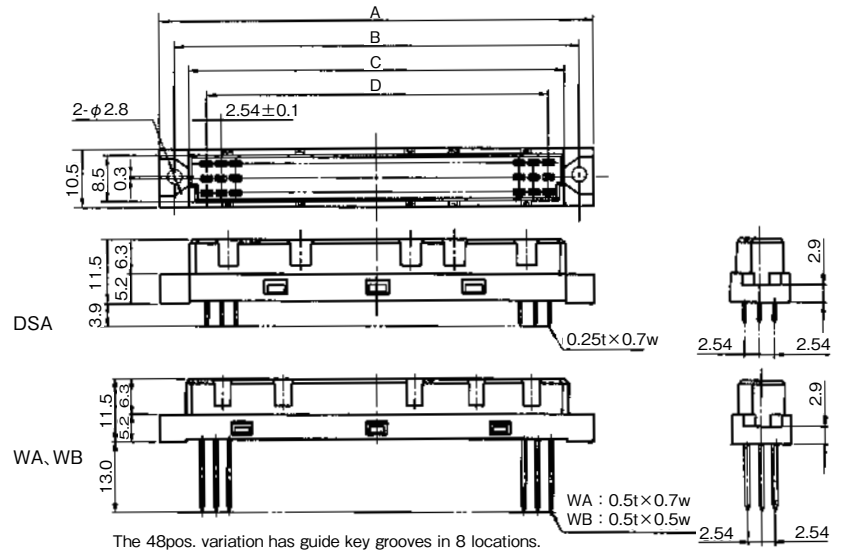
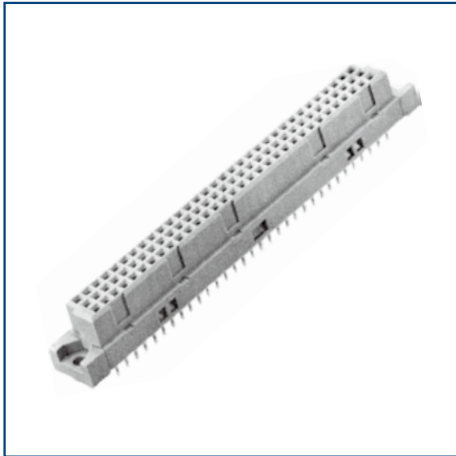
PCB Mounting Pattern



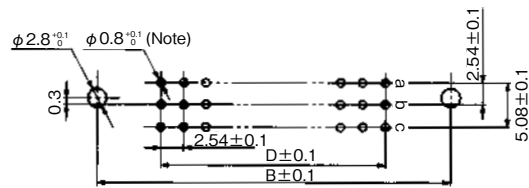
Unit : mm

Part No.	HRS No.	No. of Pos.	RoHS	Purchase Unit
PCN10B-96S-2.54DS(72)	CL0583-0004-0-72	96	Yes	24pcs per tray

Receptacle : 3-row Straight Type (DIN Standard Type C)



PCB Mounting Pattern



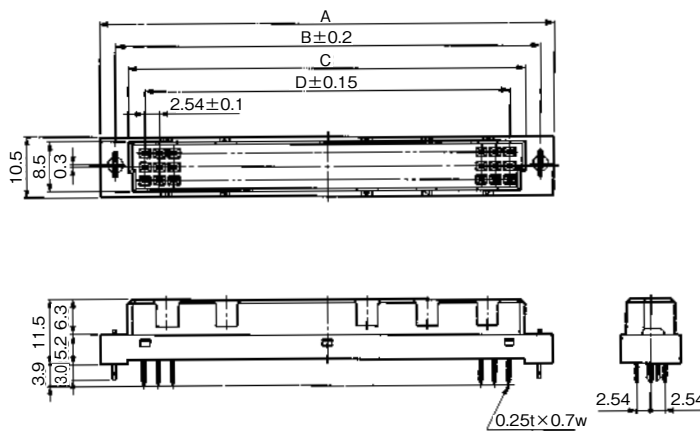
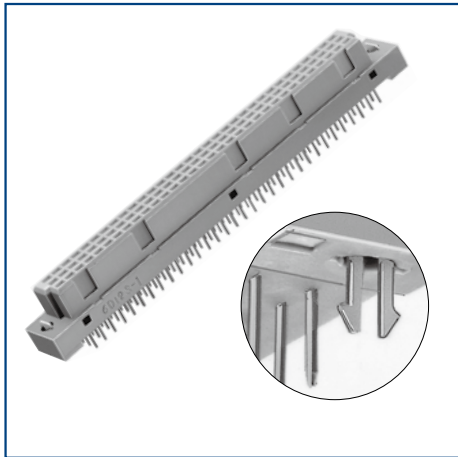
Note : WA type is $\phi 1.0^{+0.1}$

Unit : mm

Part No.	HRS No.	No. of Pos.	A	B	C	D	RoHS	Purchase Unit
PCN10-48S-2.54DSA(72)	CL0583-0065-4-72	48	54.36	50.00	44.36	38.10	Yes	20pcs per tray
PCN10-96S-2.54DSA(72)	CL0583-0003-7-72	96	95.00	90.00	85.00	78.74		15pcs per tray
PCN10-96S-2.54WA(72)	CL0583-0085-1-72	96	95.00	90.00	85.00	78.74		
PCN10-96S-2.54WB(72)	CL0583-0071-7-72	96	95.00	90.00	85.00	78.74		

Receptacle : 3-row Straight Type (DIN Standard Type C)

- With Lock Pin for Temporary Board Installation



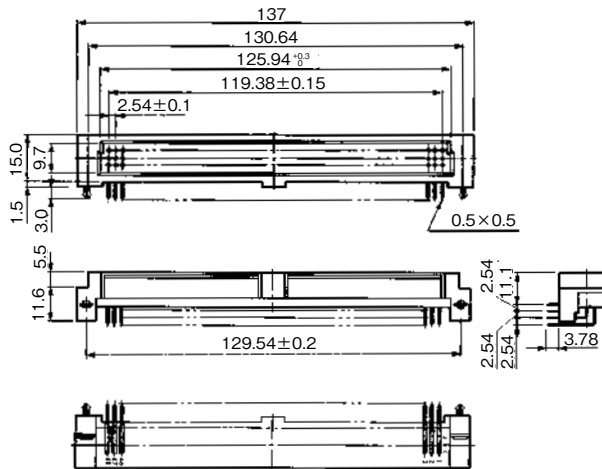
- The PCB mounting pattern is equivalent to PCN10-#S-2.54DSA(72).

Unit : mm

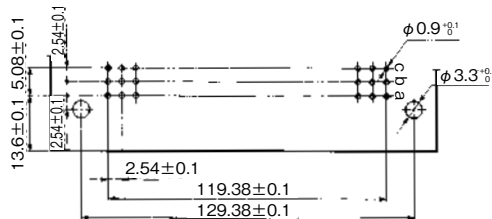
Part No.	HRS No.	No. of Pos.	A	B	C	D	RoHS	Purchase Unit
PCN10EA-48S-2.54DSA(72)	CL0583-0195-0-72	48	54.36	50.00	44.36	38.10	Yes	30pcs per tray
PCN10EA-96S-2.54DSA(72)	CL0583-0180-2-72	96	95.00	90.00	85.00	78.74		15pcs per tray

Pin Header : 3-row Right Angle Type 144pos.

- With Lock Pin for Temporary Board Installation



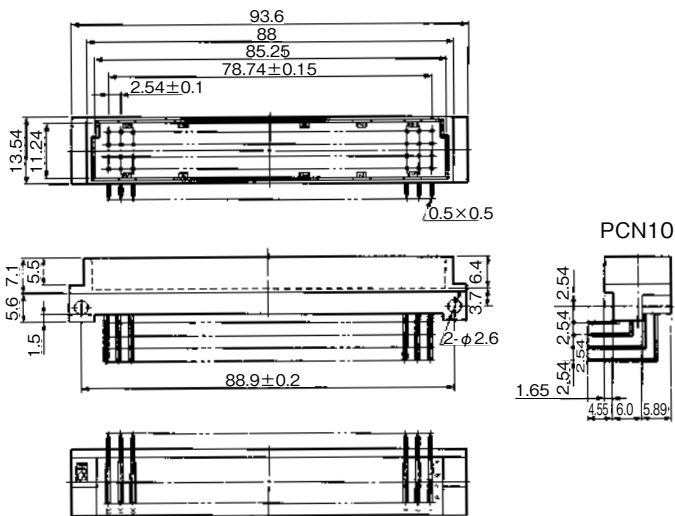
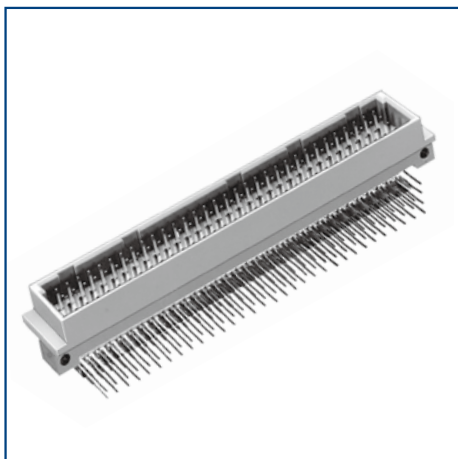
PCB Mounting Pattern



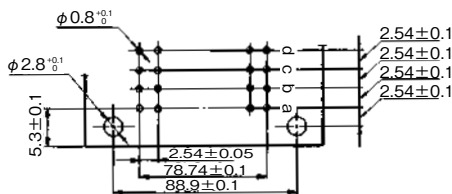
Unit : mm

Part No.	HRS No.	No. of Pos.	RoHS	Purchase Unit
PCN10MA-144P-2.54DS(72)	CL0583-0131-7-72	144	Yes	20pcs per tray

Pin Header : 4-row Right Angle Type



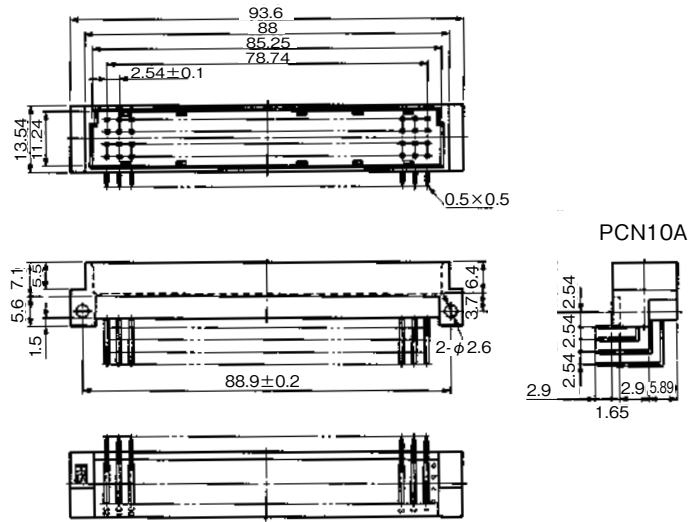
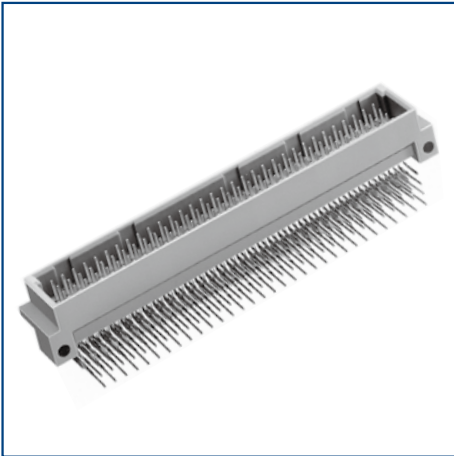
PCB Mounting Pattern



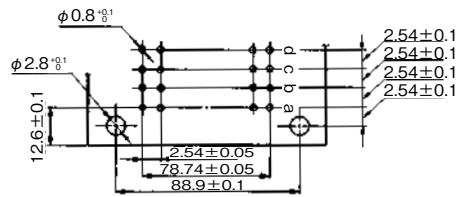
Unit : mm

Part No.	HRS No.	No. of Pos.	RoHS	Purchase Unit
PCN10-128P-2.54DS(72)	CL0583-0087-7-72	128	Yes	12pcs per tray

Pin Header : 4-row Right Angle Type



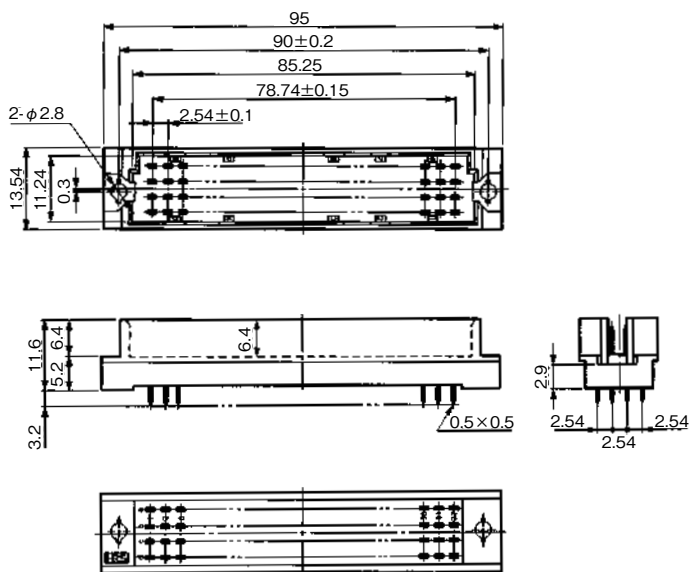
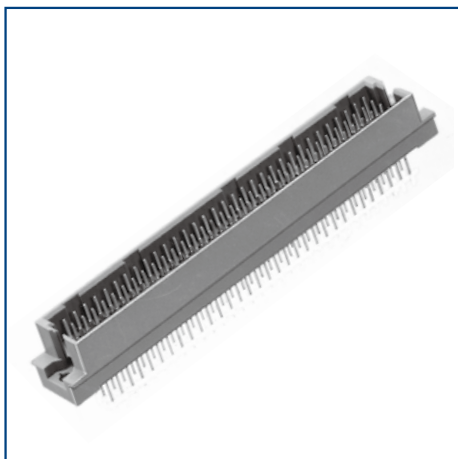
PCB Mounting Pattern



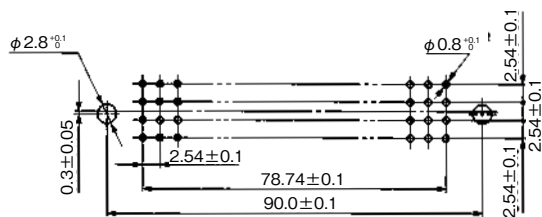
Unit : mm

Part No.	HRS No.	No. of Pos.	RoHS	Purchase Unit
PCN10A-128P-2.54DS(72)	CL0583-0088-0-72	128	Yes	12pcs per tray

Pin Header : 4-row Straight Type



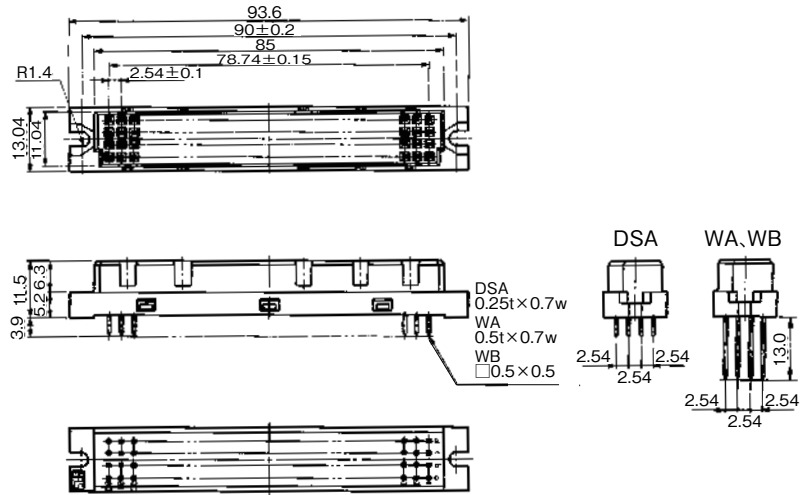
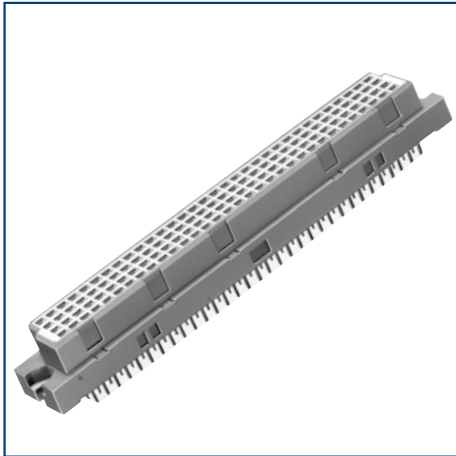
PCB Mounting Pattern



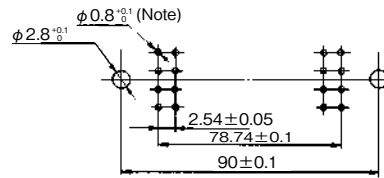
Unit : mm

Part No.	HRS No.	No. of Pos.	RoHS	Purchase Unit
PCN10-128P-2.54DSA(72)	CL0583-0215-5-72	128	Yes	15pcs per tray

Receptacle : 4-row Straight Type



PCB Mounting Pattern

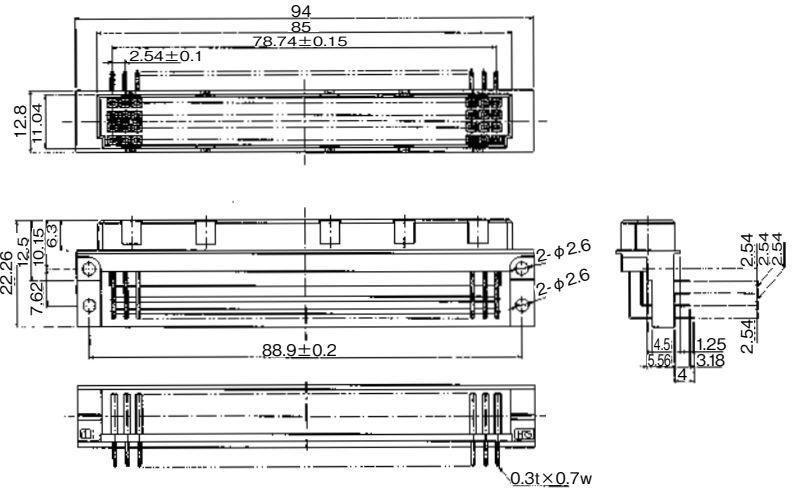
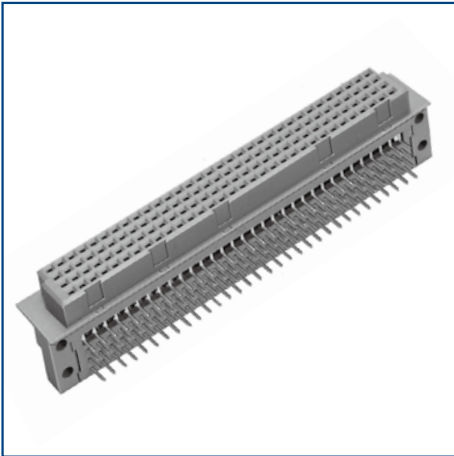


Note : WA is $\phi 1 \pm 0.1$

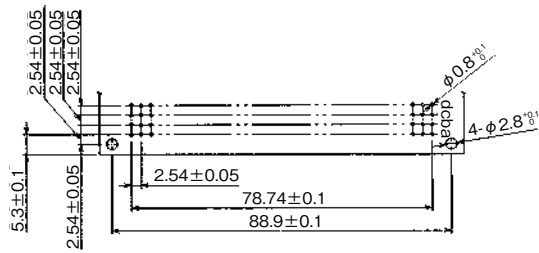
Unit : mm

Part No.	HRS No.	No. of Pos.	RoHS	Purchase Unit
PCN10-128S-2.54DSA(72)	CL0583-0089-2-72	128	Yes	12pcs per tray
PCN10-128S-2.54WA(72)	CL0583-0090-1-72	128		16pcs per tray
PCN10-128S-2.54WB(72)	CL0583-0091-4-72	128		

Receptacle : 4-row Right Angle Type



PCB Mounting Pattern



Unit : mm

Part No.	HRS No.	No. of Pos.	RoHS	Purchase Unit
PCN10B-128S-2.54DS(72)	CL0583-0333-1-72	128	Yes	12pcs per tray

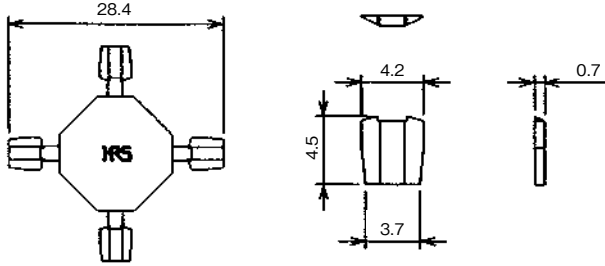
Polarity Key

Use of the polarity key prevents connector misinsertion.

Insert the polarity key into both the receptacle side and pin header side.

Insert the polarity key far enough so that it makes contact with the bottom of the mold.

PCN10-GK(A)

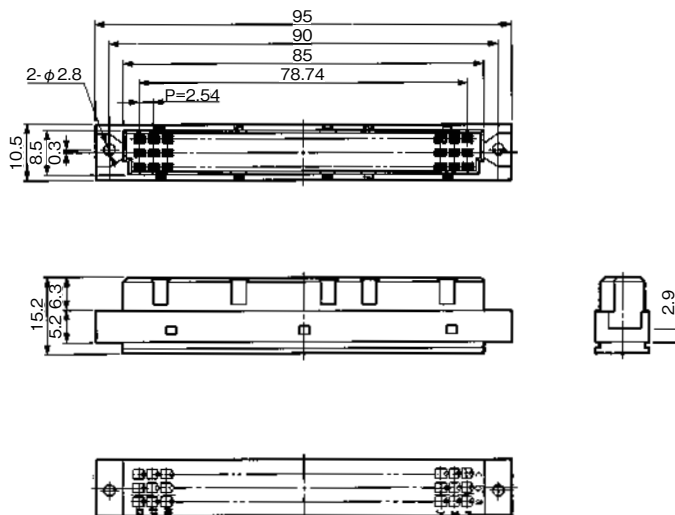


Part No.	HRS No.	Material	Color	RoHS	Purchase Unit
PCN10-GK(A)	CL0583-0269-4-00	PBT	Black	Yes	100pcs per bag (The above diagram include 4 polarity keys.)

Crimping Connector Compliant with DIN Standard

Ratings	Crimping		IDC
Rated Current	26 AWG	28, 30 AWG	1A
	2A	1A	
Rated Voltage	300V AC		200V AC

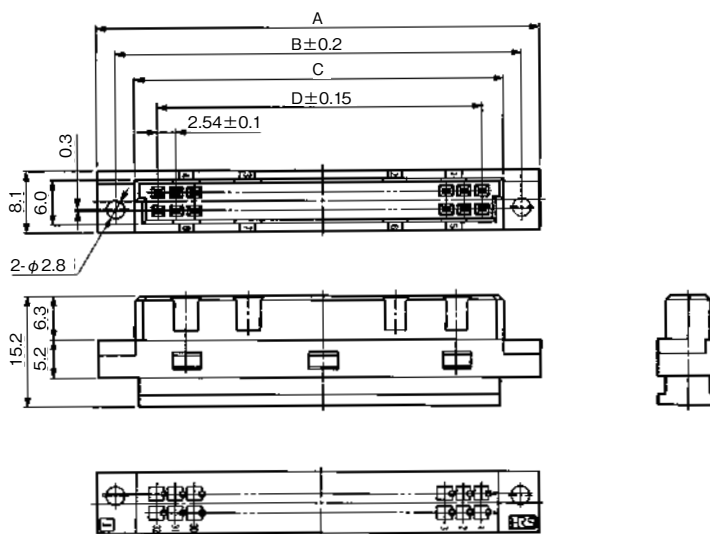
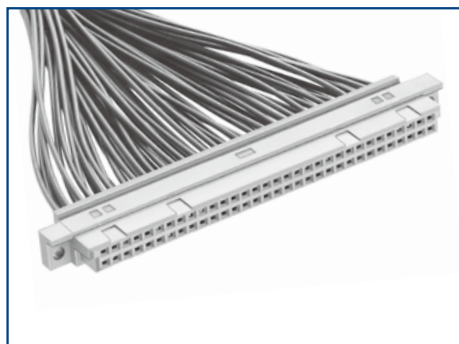
●3-row Type



Unit : mm

Part No.	HRS No.	No. of Pos.	RoHS	Purchase Unit
PCN10-96S-2.54C	CL0583-0100-3-00	96	Yes	10pcs per bag

●2-row Type



Unit : mm

Part No.	HRS No.	No. of Pos.	A	B	C	D	RoHS	Purchase Unit
PCN10-20S-2.54C	CL0583-0241-5-00	20	39.12	34.12	29.12	22.86	Yes	10pcs per bag
PCN10-64S-2.54C	CL0583-0243-0-00	64	95.00	90.00	85.00	78.74		

Applicable Crimping Tool

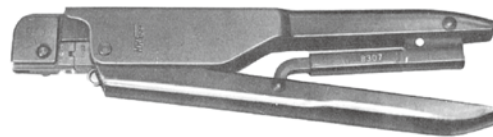
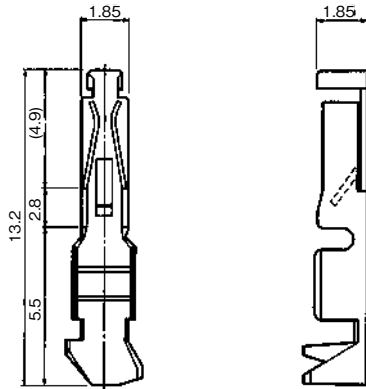
● Manual Crimping Tool

Crimp Contact

- PCN10-2630SC (Fully Gold Plated)
CL0583-0102-9-00 (RoHS Compliant)
【Purchase Unit】100pcs per bag
- PCN10-2226SC (Partially Gold Plated)
CL0583-0216-8-00 (RoHS Compliant)
【Purchase Unit】100pcs per bag

Crimping Tool

- PCN10-TA2630HC (PCN10-2630SC)
CL0550-0163-2-00
- PCN10-TA2226HC (PCN10-2226SC)
CL0550-0218-2-00



Applicable Cable

- PCN10-2630SC : 26-30 AWG
- PCN10-2226SC : 22-26 AWG

● Automatic Crimping Tool

Item	Part Number	HRS.No.	Applicable Contact
Crimping Machine Body	CM-105C	CL0901-0001-0-00	—
Applicator	AP105-PCN10-2226S	CL0901-3506-6-00	PCN10-2226SCF
	AP105-PCN10-2630S	CL0901-3508-1-00	PCN10-2630SCF

● Contact Extraction Tool

Part No.	HRS.No.
PCN10-PO	CL0550-0282-1-00

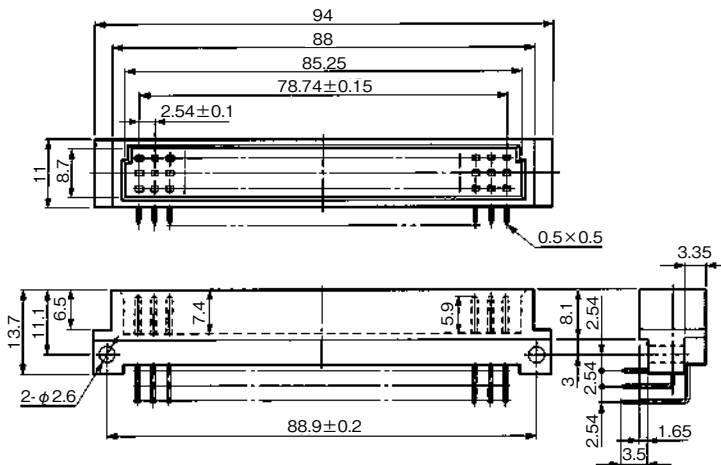
Circuit Protection Type

●Features

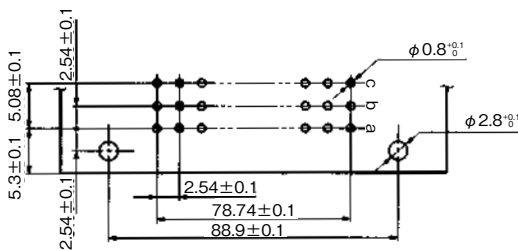
1. When mated, first the power supply (ground) is contacted followed by signal. When removed, the signal is disconnected followed by power supply (ground). This prevents the circuit from being affected if the board is removed or inserted when the power is on.

2. The exterior is black to distinguish it from the other PCN10 Series. (PCN10MC cannot be mated with other series.)

●Pin Header : 3-row Right Angle Type



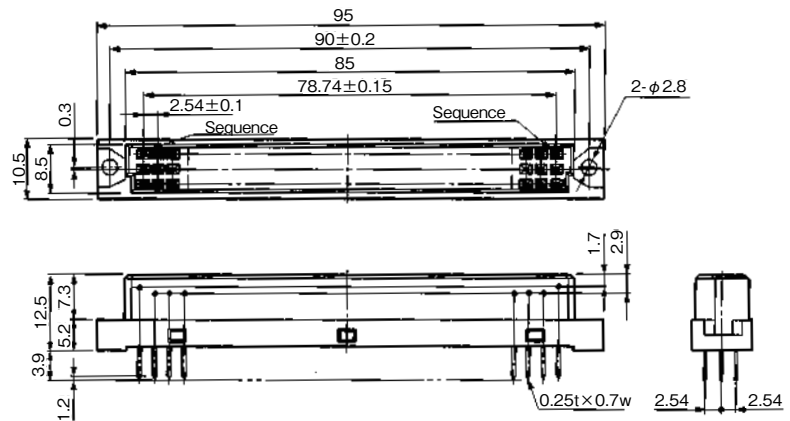
PCB Mounting Pattern



Unit : mm

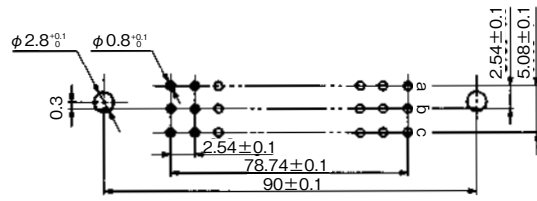
Part No.	HRS No.	No. of Pos.	RoHS	Purchase Unit
PCN10MC-96P-2.54DS(72)	CL0583-0120-0-72	96	Yes	24pcs per tray

● Receptacle : 3-row Straight Type



The sequential contacts are No.1 and No.32 in row a.

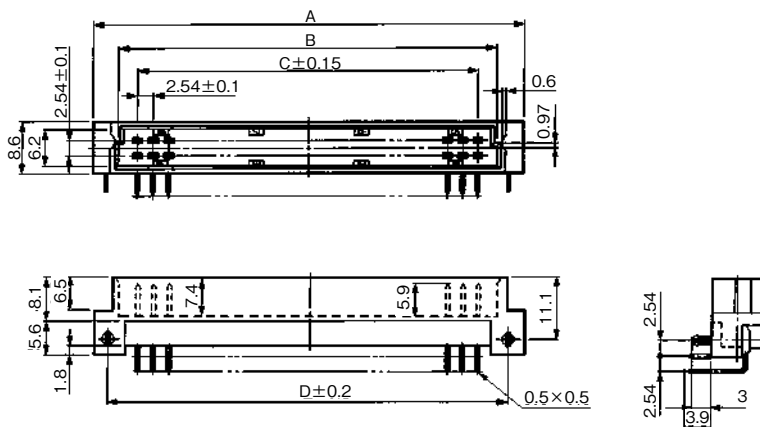
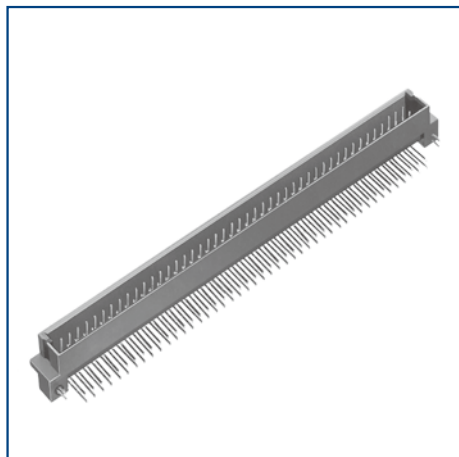
PCB Mounting Pattern



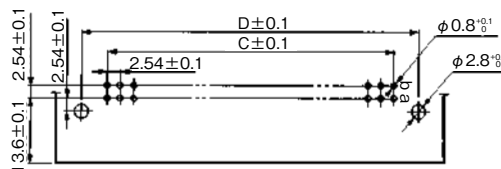
Unit : mm

Part No.	HRS No.	No. of Pos.	RoHS	Purchase Unit
PCN10MC-96S-2.54DSA(72)	CL0583-0169-0-72	96	Yes	15pcs per tray

● Pin Header : 2-row Right Angle Type



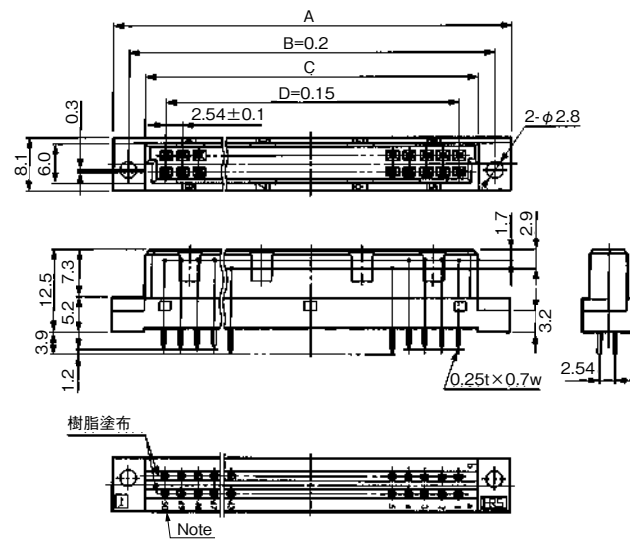
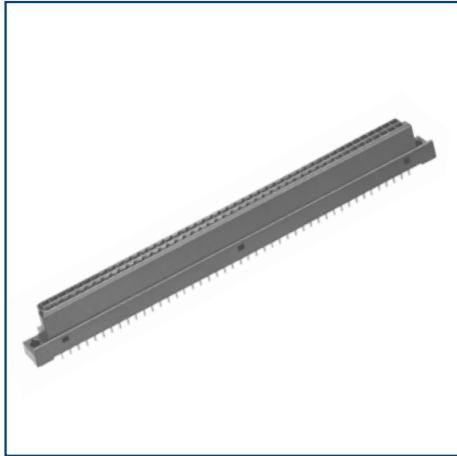
PCB Mounting Pattern



Unit : mm

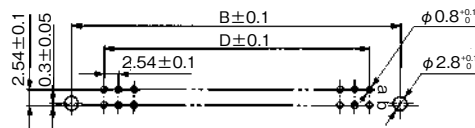
Part No.	HRS No.	No. of Pos.	A	B	C	D	RoHS	Purchase Unit
PCN10MC-64P-2.54DS(72)	CL0583-0211-4-72	64	94.00	85.35	78.74	88.90	Yes	10pcs per tray
PCN10MC-100P-2.54DS(72)	CL0583-0212-7-72	100	139.72	131.07	124.46	134.62		

● Receptacle : 2-row Straight Type



(64 contacts) : The sequential contacts are located at 22 points from contact No.1-4 and 26-32.
 (100 contacts) : The sequential contacts are located at 22 points from contact No.1-4 and 44-50.

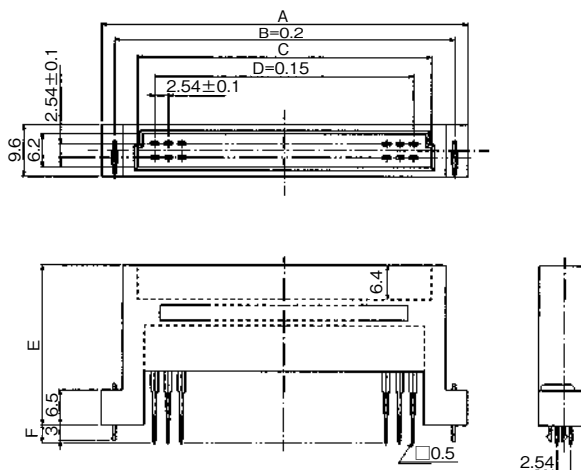
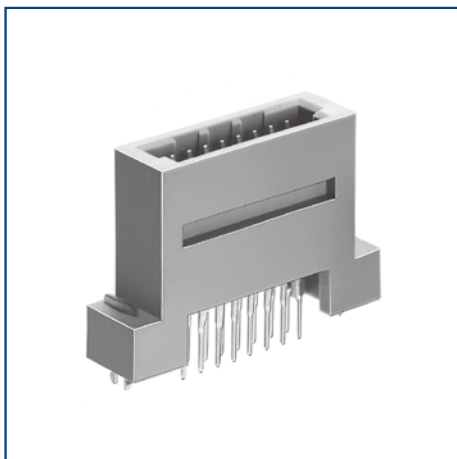
PCB Mounting Pattern



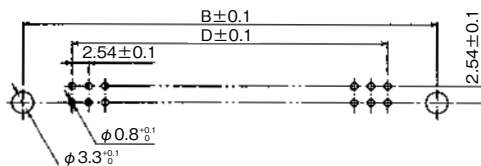
Unit : mm

Part No.	HRS No.	No. of Pos.	A	B	C	D	RoHS	Purchase Unit
PCN10MC-64S-2.54DSA(72)	CL0583-0213-0-72	64	95.00	90.00	85.00	78.74	Yes	30pcs per tray
PCN10MC-100S-2.54DSA(72)	CL0583-0214-2-72	100	140.72	135.72	130.72	124.46		20pcs per tray

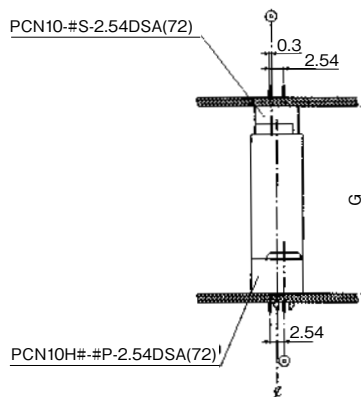
Stacking Pin Header



PCB Mounting Pattern



Application Pattern



Unit : mm

Part No.	HRS No.	No. of Pos.	A	B	C	D	E	F	G	RoHS	Purchase Unit				
PCN10H-16P-2.54DSA(72)	CL0583-0227-4-72	16	37.92	33.02	24.39	17.78	29.80	3.44	35.00	Yes	20pcs per tray				
PCN10H-20P-2.54DSA(72)	CL0583-0157-0-72	20	43.00	38.10	29.47	22.86									
PCN10H-24P-2.54DSA(72)	CL0583-0425-8-72	24	48.08	43.18	34.55	27.94									
PCN10H-32P-2.54DSA(72)	CL0583-0161-8-72	32	58.24	53.34	44.71	38.10									
PCN10H-44P-2.54DSA(72)	CL0583-0164-6-72	44	73.48	68.58	59.95	53.34									
PCN10H-50P-2.54DSA(72)	CL0583-0401-0-72	50	81.10	76.20	67.57	60.96									
PCN10HA-16P-2.54DSA(72)	CL0583-0228-7-72	16	37.92	33.02	24.39	17.78	24.80	3.36	30.00			Yes	20pcs per tray		
PCN10HA-20P-2.54DSA(72)	CL0583-0158-3-72	20	43.00	38.10	29.47	22.86									
PCN10HA-24P-2.54DSA(72)	CL0583-0426-0-72	24	48.08	43.18	34.55	27.94									
PCN10HA-32P-2.54DSA(72)	CL0583-0162-0-72	32	58.24	53.34	44.71	38.10									
PCN10HA-44P-2.54DSA(72)	CL0583-0165-9-72	44	73.48	68.58	59.95	53.34									
PCN10HA-50P-2.54DSA(72)	CL0583-0402-2-72	50	81.10	76.20	67.57	60.96									
PCN10HB-16P-2.54DSA(72)	CL0583-0229-0-72	16	37.92	33.02	24.39	17.78	19.80	3.28	25.00		Yes			20pcs per tray	
PCN10HB-20P-2.54DSA(72)	CL0583-0159-6-72	20	43.00	38.10	29.47	22.86									
PCN10HB-32P-2.54DSA(72)	CL0583-0163-3-72	32	58.24	53.34	44.71	38.10									
PCN10HB-44P-2.54DSA(72)	CL0583-0166-1-72	44	73.48	68.58	59.95	53.34									
PCN10HB-50P-2.54DSA(72)	CL0583-0403-5-72	50	81.10	76.20	67.57	60.96									
PCN10HC-16P-2.54DSA(72)	CL0583-0397-4-72	16	37.92	33.02	24.39	17.78									39.80
PCN10HC-44P-2.54DSA(72)	CL0583-0399-0-72	44	73.48	68.58	59.95	53.34	20pcs per tray								
PCN10HC-50P-2.54DSA(72)	CL0583-0404-8-72	50	81.10	76.20	67.57	60.96	16pcs per tray								
PCN10HD-16P-2.54DSA(72)	CL0583-0398-7-72	16	37.92	33.02	24.39	17.78	34.80	4.42	40.00			Yes	20pcs per tray		
PCN10HD-24P-2.54DSA(72)	CL0583-0429-9-72	24	48.08	43.18	34.55	27.94									
PCN10HD-44P-2.54DSA(72)	CL0583-0400-7-72	44	73.48	68.58	59.95	53.34									
PCN10HD-50P-2.54DSA(72)	CL0583-0405-0-72	50	81.10	76.20	67.57	60.96									

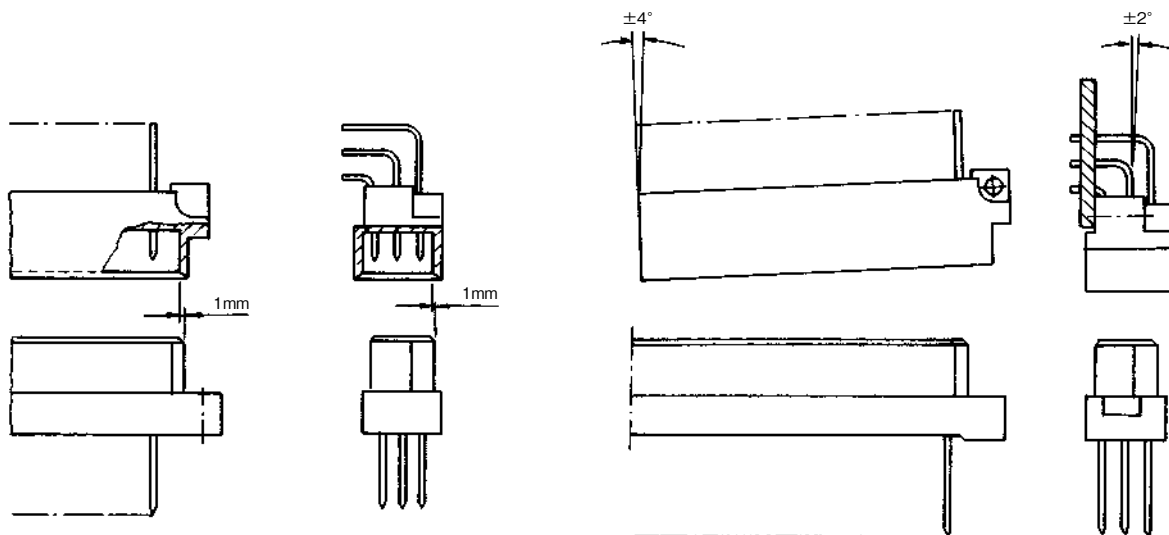
Note: Please note that the above series cannot mate with PCN10EA Series

Precautions

●DIN Connector Mating Conditions

Use Hirose DIN connectors within the following range.

The contacts of the PCN10 Series receptacle rattle slightly in order to stabilize the contact installation but this does not represent a performance issue.



While Taking in Consideration

Specifications mentioned in this catalog are reference values.

When considering to order or use this product, please confirm the Drawing and Product Specifications sheets.

Use an appropriate cable when using the connector in combination with cables.

If considering usage of a non-specified cable, please contact your sales representative.

If assembly process is done by jigs & tools which are not identified by Hirose, assurance will not be given.

If considering usage for below mentioned applications, please contact your sales representative.

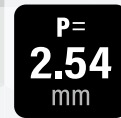
In cases where the application will demand a high level of reliability, such as automotive, medical instruments, public infrastructure, aerospace/ defense etc. Hirose must review before assurance of reliability can be given.

PCN12 Series

IEC603-2 / DIN41612 Standard Compliant Products



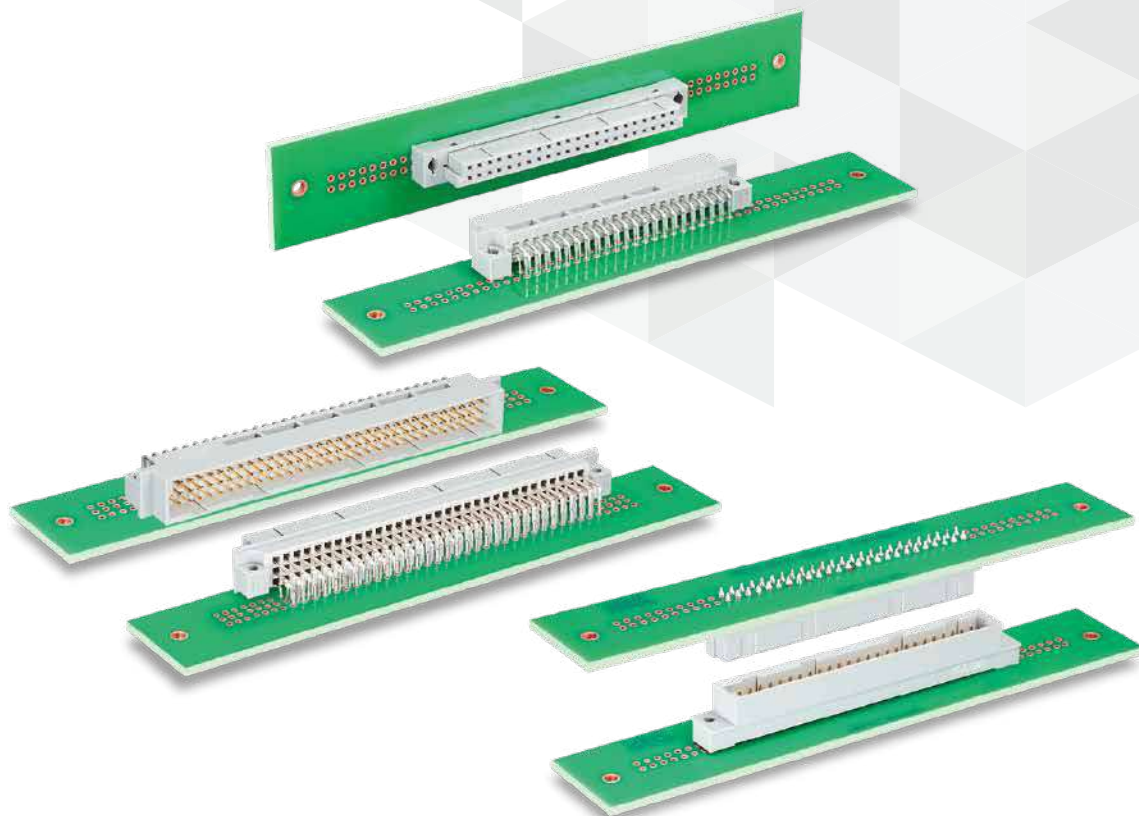
DIN Standard



P=2.54 mm



Wide Variation



Features

1. Complies with DIN Standard

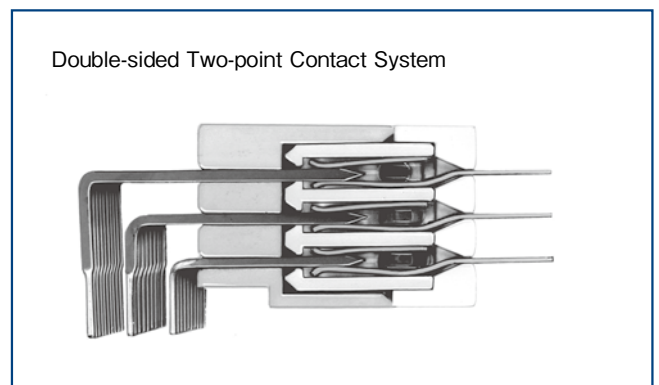
Complies with IEC603-2/DIN41612 standard.

2. Number of Positions

12 pin variations available : 10, 16, 20, 24, 28, 32, 44, 50, 64, 90, 96 and 100.

3. Two-point Contact Design

Highly reliable double-sided two point contacts.



Two-point Contact Design

4. Wide applications

DIN standard types of C is available.
The easy lock pin type for temporary board installation is available.

Applications

Computers, Control Equipment, Switches, Measuring Devices, etc.

Product Specifications

Rated Current	2A	Operating Temperature (Note 1)	-55 to +85°C
Rated Voltage	300V AC	Operating Humidity Range	85% Max.
		Storage Temperature Range (Note 2)	-10 to +60°C
		Storage Humidity Range (Note 2)	40 to 70%

Item	Specification	Condition
Insulation Resistance	10 ⁶ MΩ Min.	Measured at 100V DC
Withstanding Voltage	No flashover or insulation breakdown.	1000V AC for 1 min. (IDC, Crimp Type : 650V AC)
Contact Resistance	20mΩ Max.	Measured at 0.1A
Vibration	No electrical discontinuity of 10 μs Min.	Frequency : 10 to 55 Hz, single amplitude of 0.75 mm, 2 hours in each of the 3 directions.
Humidity(Steady State)	Insulation resistance : 10 ⁶ MΩ Min.	96 hours at temperature of 40 ± 2°C and humidity of 90% to 95%
Temperature Cycle	No damage, cracks, or parts looseness.	(-65°C : 30 minutes → 15 to 35°C : 5 minutes Max. → 125°C : 30 minutes → 15 to 35°C : 5 minutes Max.) 5 times
Mating Durability	Contact resistance : 20mΩ Max.	500 times
Soldering Heat Resistance	No deformation of components affecting performance.	Manual soldering : 350°C for 3 seconds

Note 1 : Includes temperature rise due to current flow.

Note 2 : The term "storage" refers to products stored for long period of time prior to mounting and use. The operating temperature and humidity range applies to the non-energized state after board mounting and temporary storage during transportation.

Material / Finish

Component		Material	Color/Finish	Remarks
Insulator		PBT	Beige	UL94V-0
Contact	Pin Header	Brass	Contact Area: Nickel Underplated+Gold Plated Remaining Areas: Nickel Underplated+Tin Plated	-
	Receptacle	Copper Alloy		

Product Number Structure

■ PCN12 Series (Pin Header)

PCN12 A - # P - 2.54 DS

① ② ③ ④ ⑤ ⑥

① Series Name	PCN12	③ No. of Pos.	2 row : 10,16,20,24,28,32,44,50,64,90,100 3 row : 96
② Configuration	Blank : DIN Standard Type C (96pos.) A : Original Type E · EA : With Lock Pin for Temporary Board Installation	④ Connector Type	P : Pin Header
		⑤ Contact Pitch	2.54mm
		⑥ Contact Type	DS : Right Angle Through Hole Type

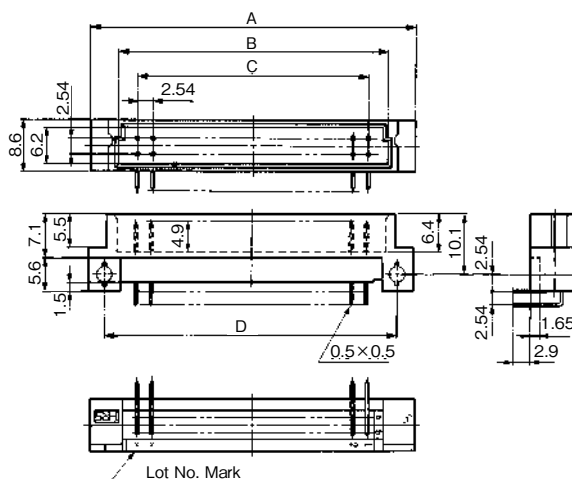
■ PCN12 Series (Receptacle)

PCN12 E - # S - 2.54 DSA

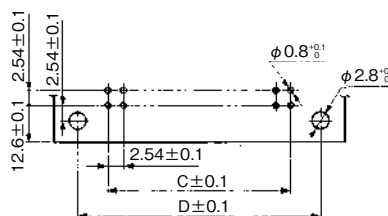
① ② ③ ④ ⑤ ⑥

① Series Name	PCN12	③ No. of Pos.	2 row : 10,16,20,24,28,32,44,50,64,90,100 3 row : 96
② Configuration	Blank : Standard Type E : With Lock Pin for Temporary Board Installation	④ Connector Type	S : Receptacle
		⑤ Contact Pitch	2.54mm
		⑥ Contact Type	DSA : Straight Through Hhole Type

Pin Header : 2-row Right Angle Type



PCB Mounting Pattern

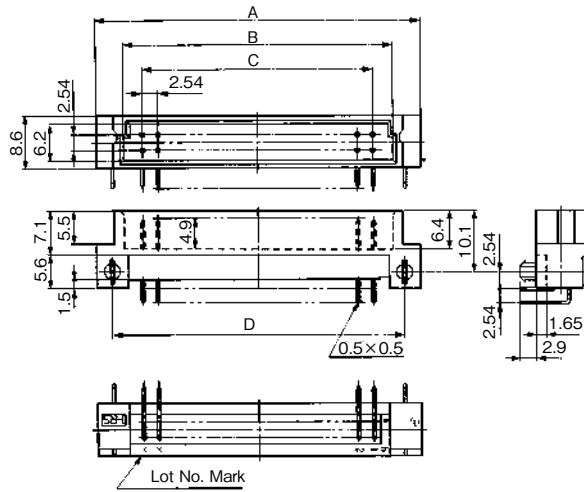
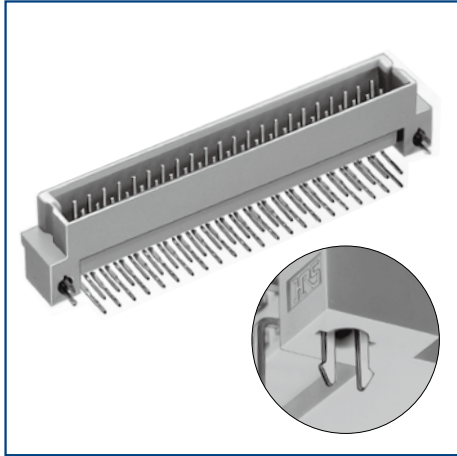


Unit : mm

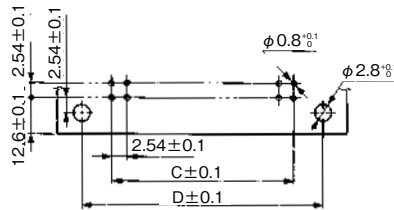
Part No.	HRS No.	No. of Pos.	A	B	C	D	RoHS	Purchase Unit
PCN12A-10P-2.54DS(71)	CL0583-2010-3-71	10	25.42	16.77	10.16	20.32	○	60pcs per tray
PCN12A-20P-2.54DS(71)	CL0583-2012-9-71	20	38.12	29.47	22.86	33.02		40pcs per tray
PCN12A-28P-2.54DS(71)	CL0583-2085-2-71	28	48.26	39.63	33.02	43.18		30pcs per tray
PCN12A-32P-2.54DS(71)	CL0583-2013-1-71	32	53.36	44.71	38.10	48.26		20pcs per tray
PCN12A-44P-2.54DS(71)	CL0583-2014-4-71	44	68.60	59.95	53.34	63.50		
PCN12A-50P-2.54DS(81)	CL0583-2015-7-81	50	76.22	67.57	60.96	71.12		10pcs per tray
PCN12A-64P-2.54DS(71)	CL0583-2016-0-71	64	94.00	85.35	78.74	88.90		

Pin Header : 2-row Right Angle Type

● With Lock Pin for Temporary Board Installation



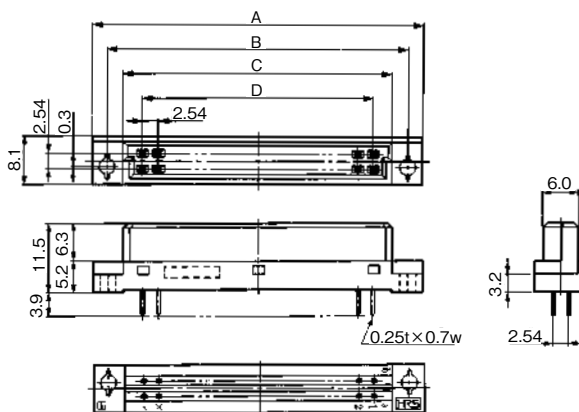
PCB Mounting Pattern



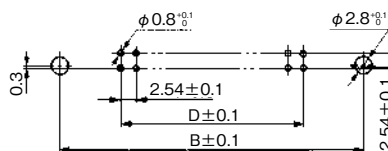
Unit : mm

Part No.	HRS No.	No. of Pos.	A	B	C	D	RoHS	Purchase Unit
PCN12EA-10P-2.54DS(71)	CL0583-2028-9-71	10	25.42	16.77	10.16	20.32	○	60pcs per tray
PCN12EA-16P-2.54DS(71)	CL0583-2029-1-71	16	33.04	24.39	17.78	27.94		40pcs per tray
PCN12EA-20P-2.54DS(71)	CL0583-2030-0-71	20	38.12	29.47	22.86	33.02		20pcs per tray
PCN12EA-32P-2.54DS(71)	CL0583-2031-3-71	32	53.36	44.71	38.10	48.26		
PCN12EA-44P-2.54DS(71)	CL0583-2032-6-71	44	68.60	59.95	53.34	63.50		10pcs per tray
PCN12EA-50P-2.54DS(71)	CL0583-2033-9-71	50	76.22	67.57	60.96	71.12		
PCN12EA-64P-2.54DS(71)	CL0583-2034-1-71	64	94.00	85.35	78.74	88.90		
PCN12EA-90P-2.54DS(71)	CL0583-2035-4-71	90	127.02	118.37	111.76	121.92		

Receptacle : Straight Type



PCB Mounting Pattern

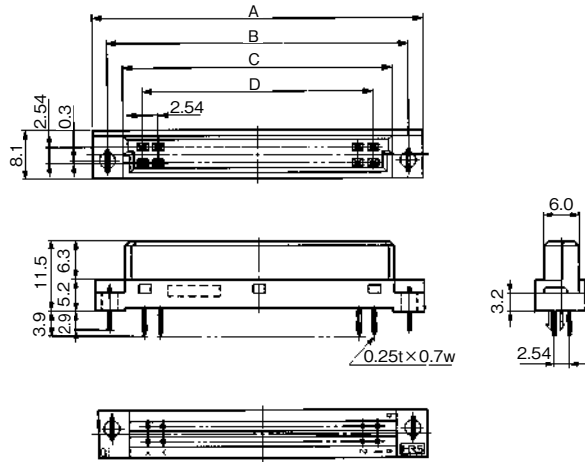
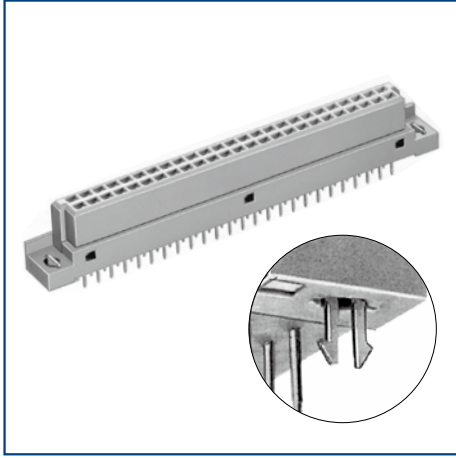


Unit : mm

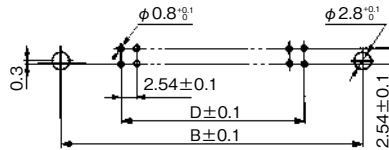
Part No.	HRS No.	No. of Pos.	A	B	C	D	RoHS	Purchase Unit
PCN12-10S-2.54DSA(71)	CL0583-2055-1-71	10	26.42	21.42	16.42	10.16	○	110pcs per tray
PCN12-16S-2.54DSA(71)	CL0583-2056-4-71	16	34.04	29.04	24.04	17.78		80pcs per tray
PCN12-20S-2.54DSA(71)	CL0583-2057-7-71	20	39.12	34.12	29.12	22.86		70pcs per tray
PCN12-24S-2.54DSA(71)	CL0583-2106-0-71	24	44.20	39.20	34.20	27.94		60pcs per tray
PCN12-28S-2.54DSA(71)	CL0583-2088-0-71	28	49.28	44.28	39.28	33.02		50pcs per tray
PCN12-32S-2.54DSA(71)	CL0583-2058-0-71	32	54.36	49.36	44.36	38.10		40pcs per tray
PCN12-44S-2.54DSA(71)	CL0583-2059-2-71	44	69.60	64.60	59.60	53.34		30pcs per tray
PCN12-50S-2.54DSA(71)	CL0583-2060-1-71	50	77.22	72.22	67.22	60.96		20pcs per tray
PCN12-64S-2.54DSA(71)	CL0583-2061-4-71	64	95.00	90.00	85.00	78.74		
PCN12-100S-2.54DSA(71)	CL0583-2063-0-71	100	140.72	135.72	130.72	124.46		

Receptacle : Straight Type

● With Lock Pin for Temporary Board Installation



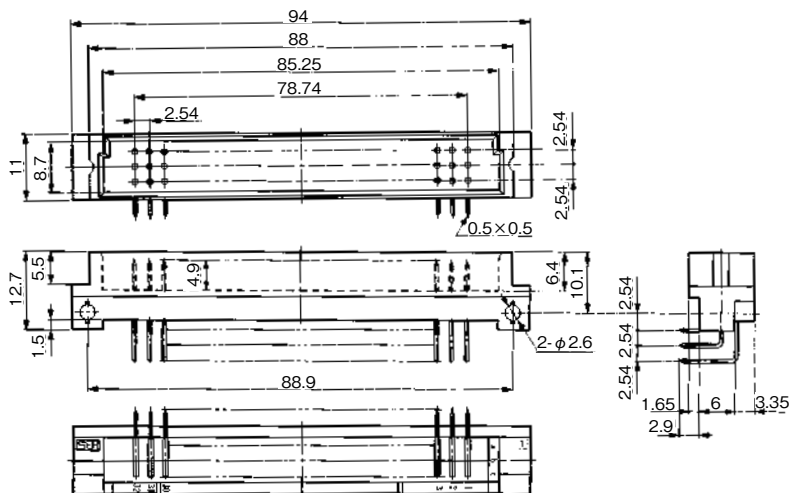
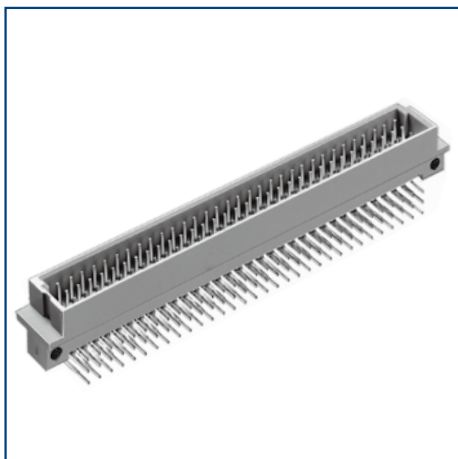
PCB Mounting Pattern



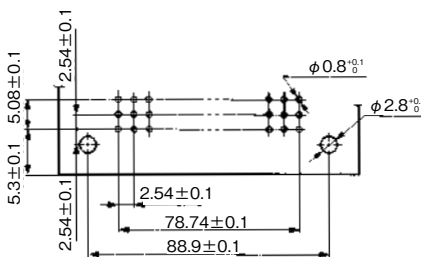
Unit : mm

Part No.	HRS No.	No. of Pos.	A	B	C	D	RoHS	Purchase Unit
PCN12E-10S-2.54DSA(71)	CL0583-2064-2-71	10	26.42	21.42	16.42	10.16	○	110pcs per tray
PCN12E-20S-2.54DSA(71)	CL0583-2066-8-71	20	39.12	34.12	29.12	22.86		70pcs per tray
PCN12E-32S-2.54DSA(71)	CL0583-2067-0-71	32	54.36	49.36	44.36	38.10		50pcs per tray
PCN12E-44S-2.54DSA(71)	CL0583-2068-3-71	44	69.60	64.60	59.60	53.34		40pcs per tray
PCN12E-50S-2.54DSA(71)	CL0583-2069-6-71	50	77.22	72.22	67.22	60.96		30pcs per tray
PCN12E-64S-2.54DSA(71)	CL0583-2070-5-71	64	95.00	90.00	85.00	78.74		20pcs per tray
PCN12E-90S-2.54DSA(71)	CL0583-2071-8-71	90	128.02	123.02	118.02	111.76		
PCN12E-100S-2.54DSA(71)	CL0583-2072-0-71	100	140.72	135.72	130.72	124.46		

Pin Header : 3-row Right Angle Type (DIN Standard Type C)



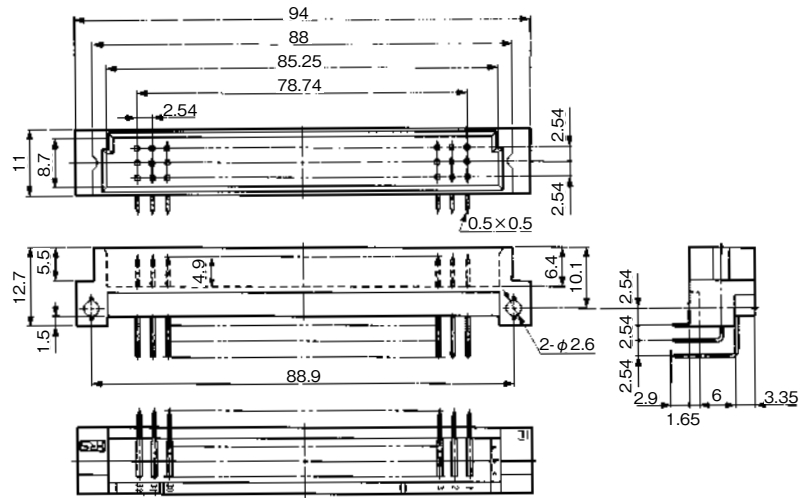
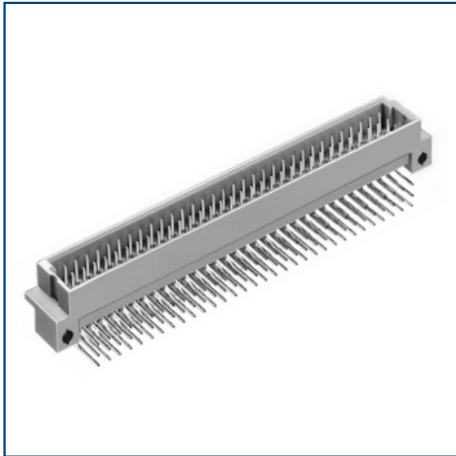
PCB Mounting Pattern



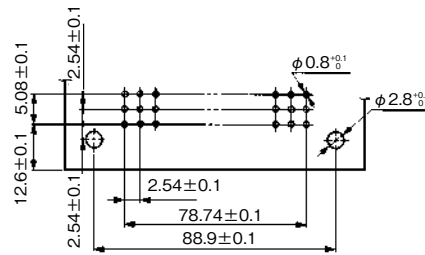
Unit : mm

Part No.	HRS No.	No. of Pos.	RoHS	Purchase Unit
PCN12-96P-2.54DS(71)	CL0583-2090-2-71	96	○	24pcs per tray

Pin Header : 3-row Right Angle Type



PCB Mounting Pattern

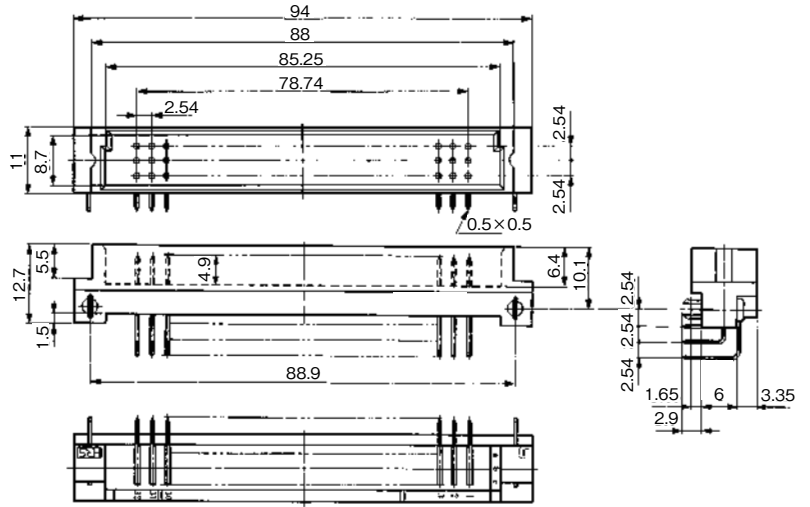
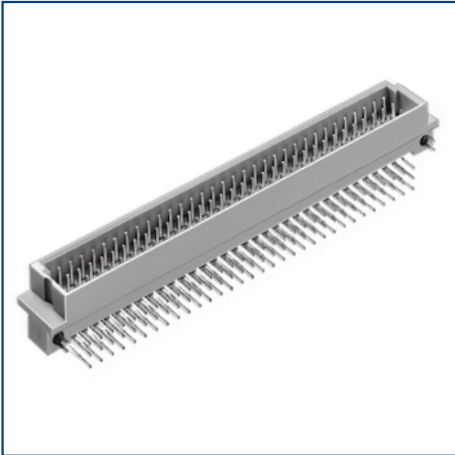


Unit : mm

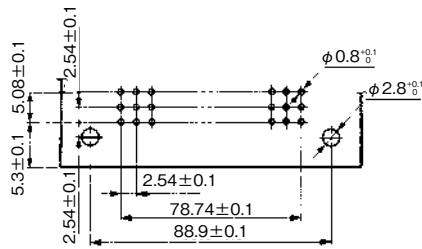
Part No.	HRS No.	No. of Pos.	RoHS	Purchase Unit
PCN12A-96P-2.54DS (71)	CL0583-2091-5-71	96	○	24pcs per tray

Pin Header: 3-row Right Angle Type (Type C)

● With Lock Pin for Temporary Board Installation



PCB Mounting Pattern

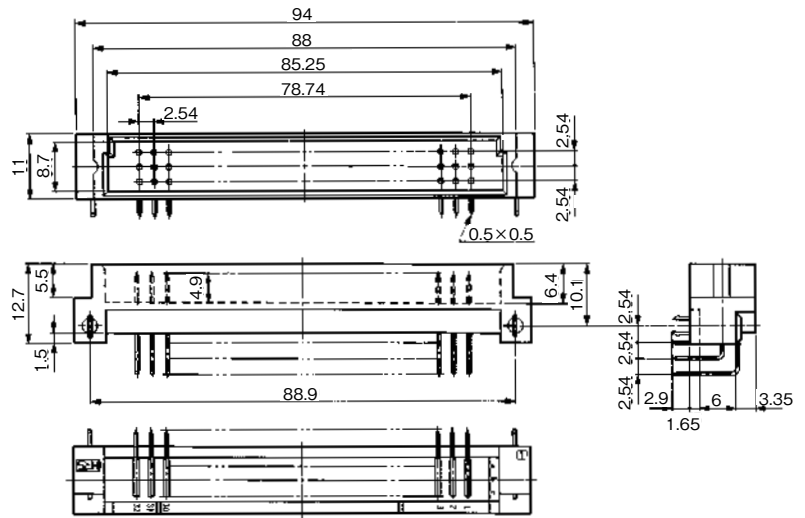
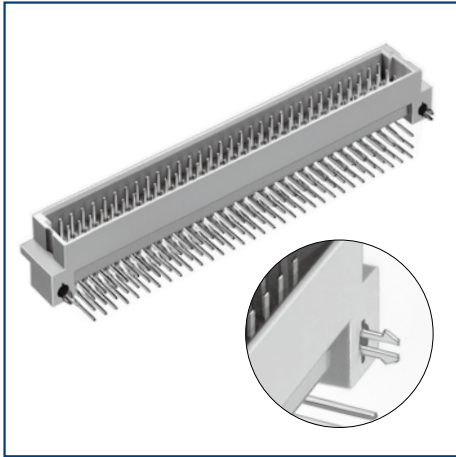


Unit : mm

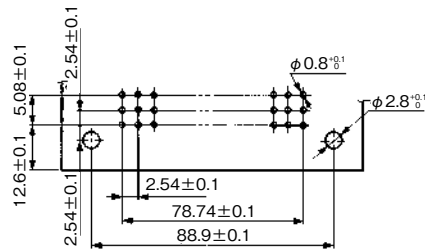
Part No.	HRS No.	No. of Pos.	RoHS	Purchase Unit
PCN12E-96P-2.54DS(71)	CL0583-2092-8-71	96	○	24pcs per tray

Pin Header : 3-row Right Angle Type

● With Lock Pin for Temporary Board Installation



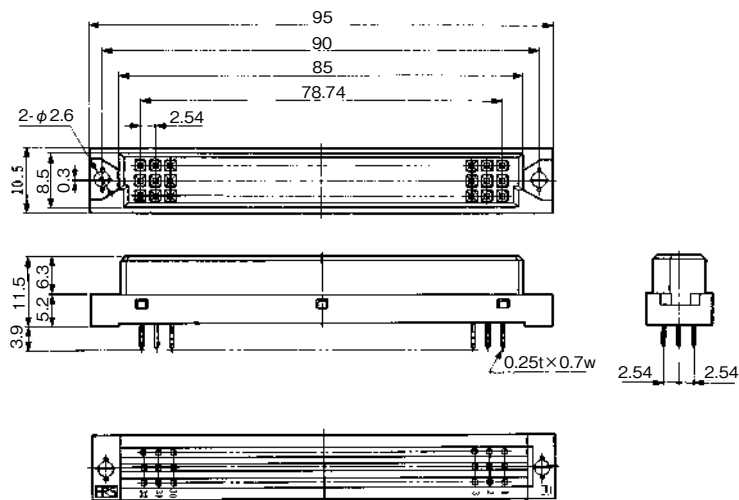
PCB Mounting Pattern



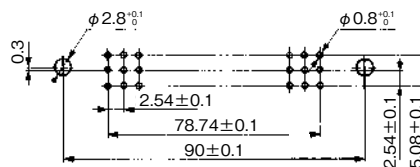
Unit : mm

Part No.	HRS No.	No. of Pos.	RoHS	Purchase Unit
PCN12EA-96P-2.54DS (71)	CL0583-2093-0-71	96	○	24pcs per tray

Receptacle : 3-row Straight Type



PCB Mounting Pattern

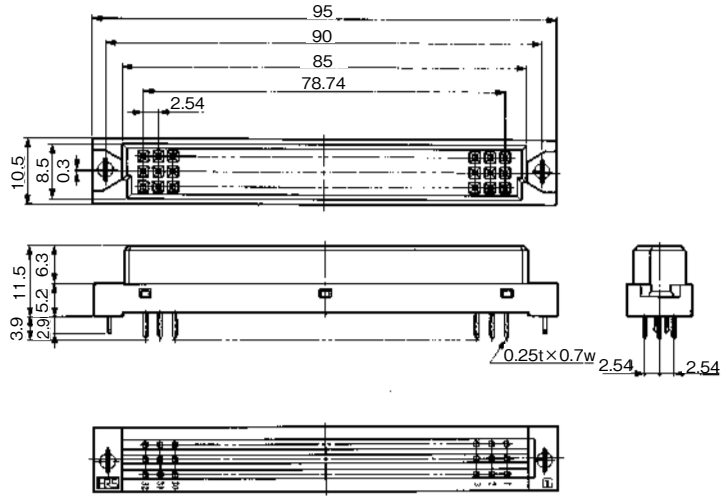
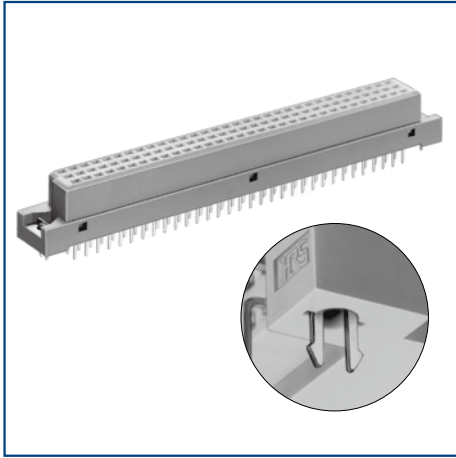


Unit : mm

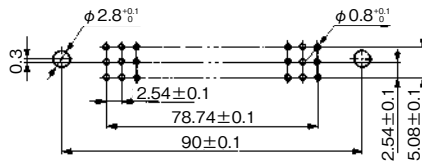
Part No.	HRS No.	No. of Pos.	RoHS	Purchase Unit
PCN12-96S-2.54DSA (71)	CL0583-2096-9-71	96	○	15pcs per tray

Receptacle: 3-row Straight Type

● With Lock Pin for Temporary Board Installation



PCB Mounting Pattern



Unit : mm

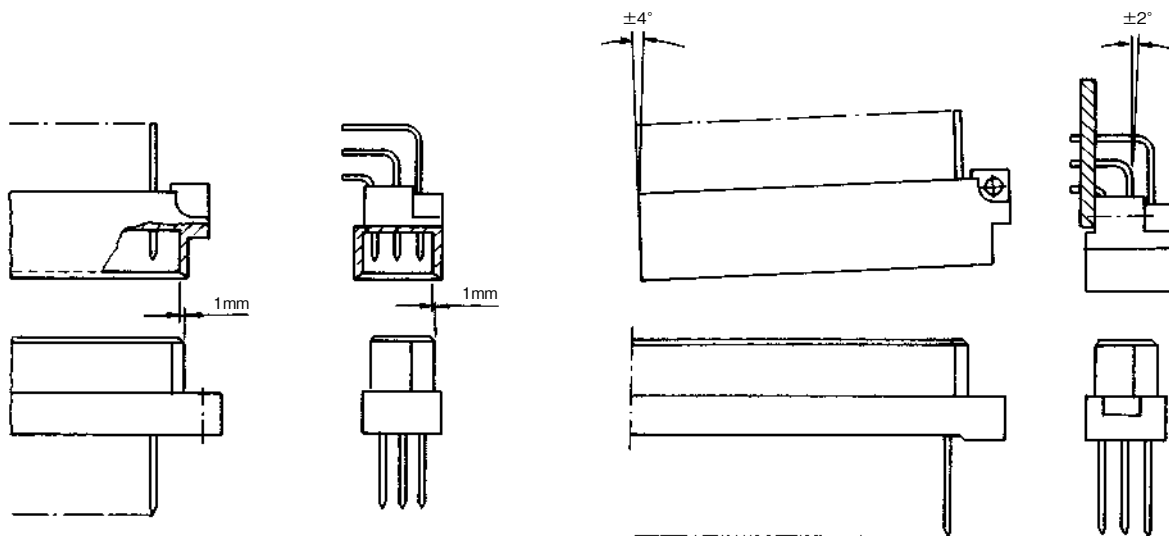
Part No.	HRS No.	No. of Pos.	RoHS	Purchase Unit
PCN12E-96S-2.54DSA (71)	CL0583-2097-1-71	96	○	15pcs per tray

Precautions

● DIN Connector Mating Conditions

Use Hirose DIN connectors within the following range.

The contacts of the PCN10 Series receptacle rattle slightly in order to stabilize the contact installation but this does not represent a performance issue.



While Taking in Consideration

Specifications mentioned in this catalog are reference values.

When considering to order or use this product, please confirm the Drawing and Product Specifications sheets.

Use an appropriate cable when using the connector in combination with cables.

If considering usage of a non-specified cable, please contact your sales representative.

If assembly process is done by jigs & tools which are not identified by Hirose, assurance will not be given.

If considering usage for below mentioned applications, please contact your sales representative.

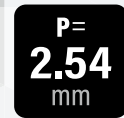
In cases where the application will demand a high level of reliability, such as automotive, medical instruments, public infrastructure, aerospace/ defense etc. Hirose must review before assurance of reliability can be given.

PCN13 Series

IEC603-2 / DIN41612 Standard Compliant Products



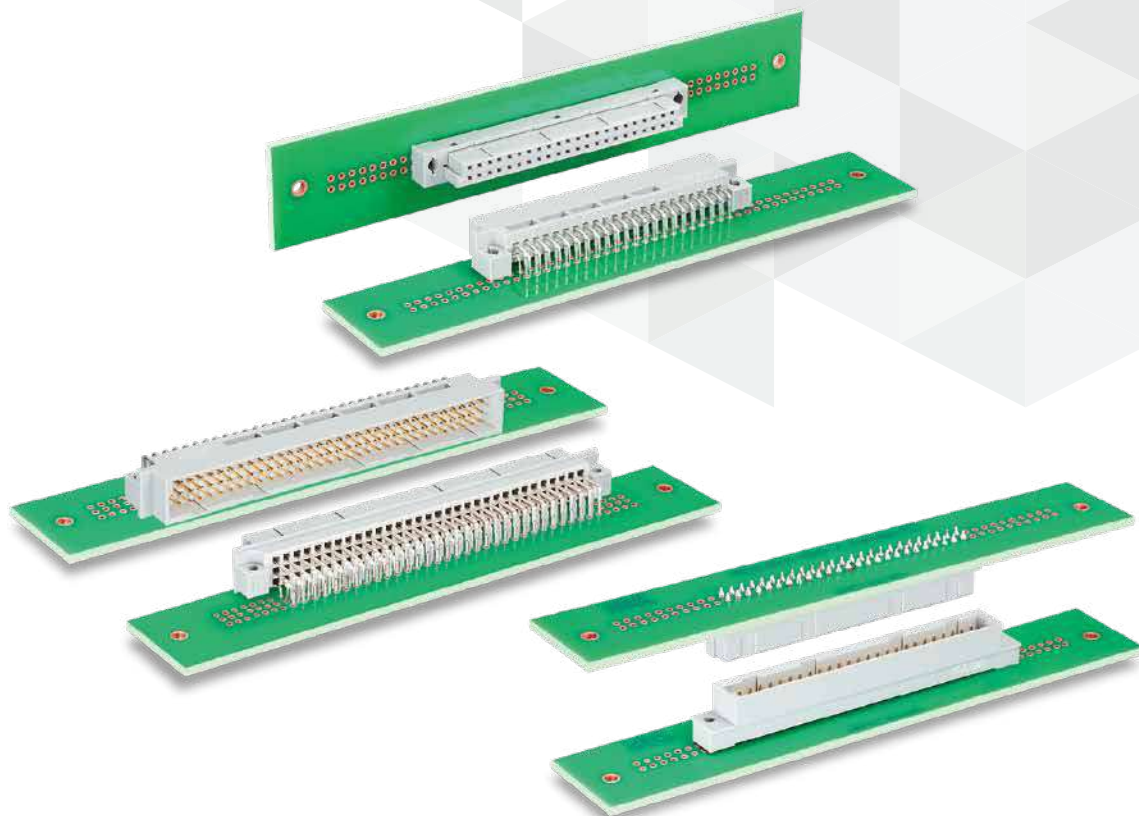
DIN Standard



P=2.54 mm



Wide Variation



Features

1. Complies with DIN Standard

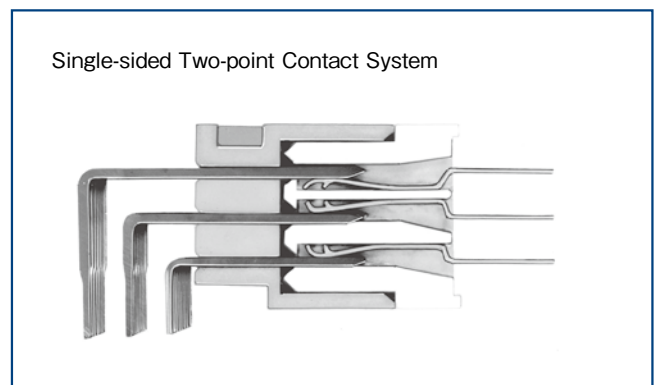
Complies with IEC603-2/DIN41612 standard.

2. Number of Positions

12 pin variations available : 10,16,20,30, 32,44,48,50,64,90,96 and 100.

3. Two-point Contact Design

High cost performance with the single-sided two point contact design.



Two-point Contact Design

4. Wide applications

The easy lock pin type for temporary board installation is available.

Applications

Computers, Control Equipment, Switches, Measuring Devices, etc.

Product Specifications

Rated Current	2A	Operating Temperature (Note 1)	-55 to +85°C
Rated Voltage	300V AC	Operating Humidity Range	85% Max.
		Storage Temperature Range (Note 2)	-10 to +60°C
		Storage Humidity Range (Note 2)	40 to 70%

Item	Specification	Condition
Insulation Resistance	10 ⁶ MΩ Min.	Measured at 100V DC
Withstanding Voltage	No flashover or insulation breakdown.	1000V AC for 1 min. (IDC, Crimp Type : 650V AC)
Contact Resistance	20mΩ Max.	Measured at 0.1A
Vibration	No electrical discontinuity of 10 μs Min.	Frequency : 10 to 55 Hz, single amplitude of 0.75 mm, 2 hours in each of the 3 directions.
Humidity(Steady State)	Insulation resistance : 10 ⁶ MΩ Min.	96 hours at temperature of 40 ± 2°C and humidity of 90% to 95%
Temperature Cycle	No damage, cracks, or parts looseness.	(-65°C : 30 minutes → 15 to 35°C : 5 minutes Max. → 125°C : 30 minutes → 15 to 35°C : 5 minutes Max.) 5 times
Mating Durability	Contact resistance : 20mΩ Max.	500 times
Soldering Heat Resistance	No deformation of components affecting performance.	Manual soldering : 350°C for 3 seconds

Note 1 : Includes temperature rise due to current flow.

Note 2 : The term "storage" refers to products stored for long period of time prior to mounting and use. The operating temperature and humidity range applies to the non-energized state after board mounting and temporary storage during transportation.

Material / Finish

Component		Material	Color/Finish	Remarks
Insulator		PBT	Beige	UL94V-0
Contact	Receptacle	Copper Alloy	Contact Area: Nickel Underplated+Gold Plated Remaining Areas: Nickel Underplated+Tin Plated	-

Product Number Structure

■ PCN13 Series (Receptacle)

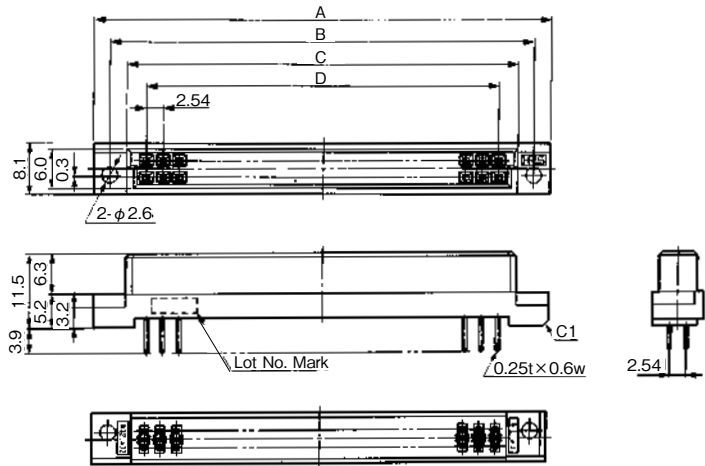
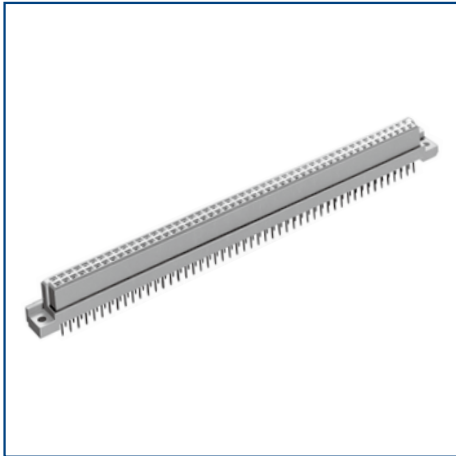
PCN13 E - # S - 2.54 DSA

① ② ③ ④ ⑤ ⑥

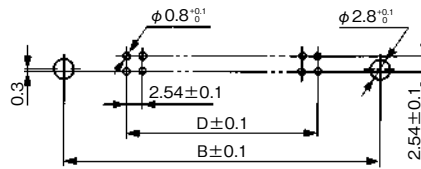
① Series Name	PCN13	④ Connector Type	S : Receptacle
② Configuration	Blank : Standard Type E : With Lock Pin for Temporary Board Installation	⑤ Contact Pitch	2.54mm
③ No. of Pos.	2 row : 10,16,20,30,32,44,50,64,90,100 3 row : 48,96	⑤ Contact Pitch	DS : Right Angle Through Hole Type DSA : Straight Through Hole Type

*PCN13 Series only includes socket connectors that mate with the PCN10 and PCN12 Series plugs.

Receptacle : 2-row Straight Type



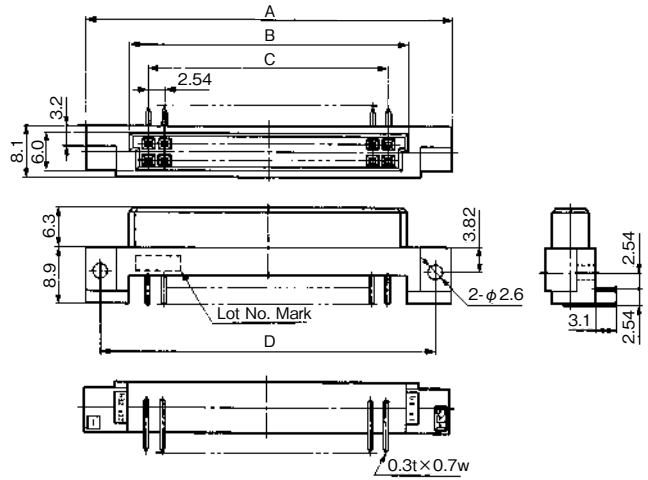
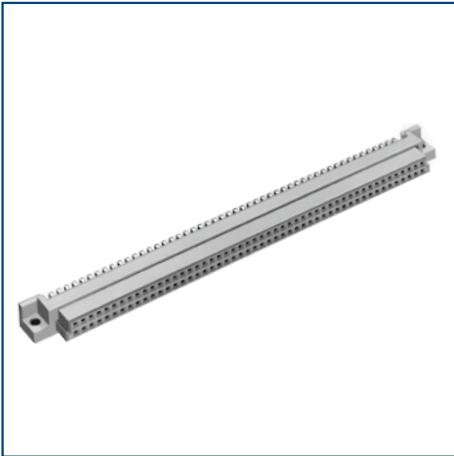
PCB Mounting Pattern



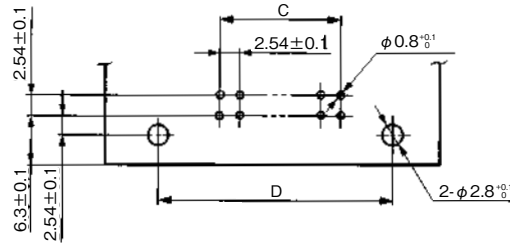
Unit : mm

Part No.	HRS No.	No. of Pos.	A	B	C	D	RoHS	Purchase Unit
PCN13-16S-2.54DSA(71)	CL0583-3001-8-71	16	34.04	29.04	24.04	17.78	○	80pcs per tray
PCN13-20S-2.54DSA(71)	CL0583-3002-0-71	20	39.12	34.12	29.12	22.86		70pcs per tray
PCN13-32S-2.54DSA(71)	CL0583-3004-6-71	32	54.36	49.36	44.36	38.10		50pcs per tray
PCN13-44S-2.54DSA(71)	CL0583-3005-9-71	44	69.60	64.60	59.60	53.34		40pcs per tray
PCN13-50S-2.54DSA(71)	CL0583-3006-1-71	50	77.22	72.22	67.22	60.96		30pcs per tray
PCN13-64S-2.54DSA(71)	CL0583-3007-4-71	64	95.00	90.00	85.00	78.74		30pcs per tray
PCN13-90S-2.54DSA(71)	CL0583-3008-7-71	90	128.02	123.02	118.02	111.76		20pcs per tray
PCN13-100S-2.54DSA(71)	CL0583-3009-0-71	100	140.72	135.72	130.72	124.46		20pcs per tray

Receptacle : 2-row Right Angle Type



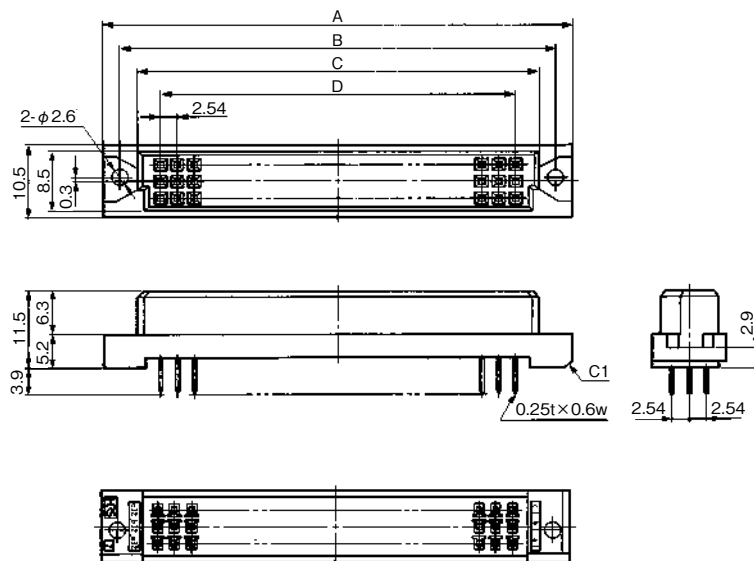
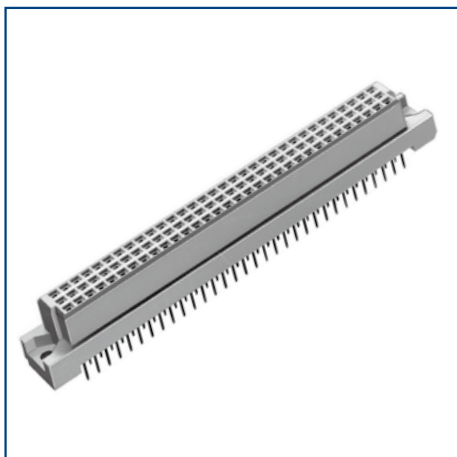
PCB Mounting Pattern



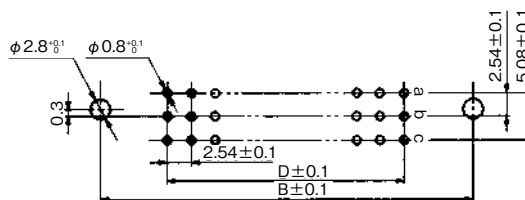
Unit : mm

Part No.	HRS No.	No. of Pos.	A	B	C	D	RoHS	Purchase Unit
PCN13-16S-2.54DS(71)	CL0583-3031-9-71	16	38.02	24.04	17.78	33.02	○	44pcs per box
PCN13-20S-2.54DS(71)	CL0583-3032-1-71	20	43.10	29.12	22.86	38.10		33pcs per tray
PCN13-30S-2.54DS(71)	CL0583-3033-4-71	30	55.80	41.82	35.56	50.80		22pcs per tray
PCN13-32S-2.54DS(71)	CL0583-3034-7-71	32	58.34	44.36	38.10	53.34		
PCN13-44S-2.54DS(71)	CL0583-3035-0-71	44	73.58	59.60	53.34	68.58		11pcs per tray
PCN13-50S-2.54DS(81)	CL0583-3036-2-81	50	81.20	67.22	60.96	76.20		
PCN13-64S-2.54DS(71)	CL0583-3037-5-71	64	98.98	85.00	78.74	93.98		
PCN13-90S-2.54DS(81)	CL0583-3038-8-81	90	132.00	118.02	111.76	127.00		
PCN13-100S-2.54DS(71)	CL0583-3039-0-71	100	144.70	130.72	124.46	139.70		

Receptacle : 3-row Straight Type



PCB Mounting Pattern



Unit : mm

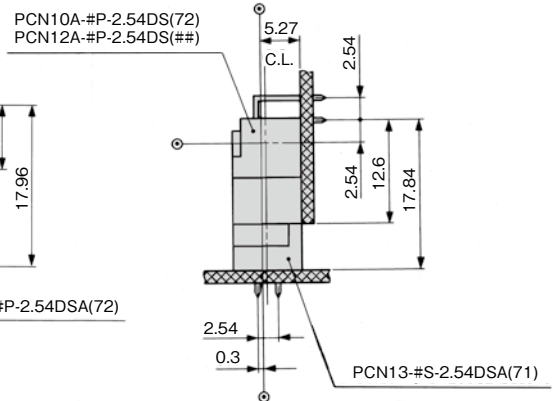
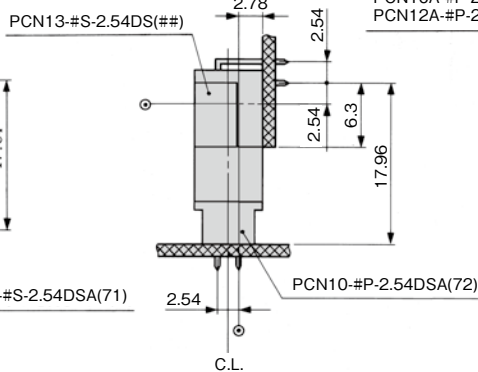
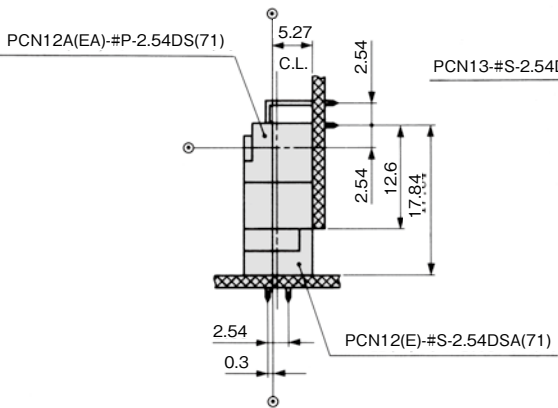
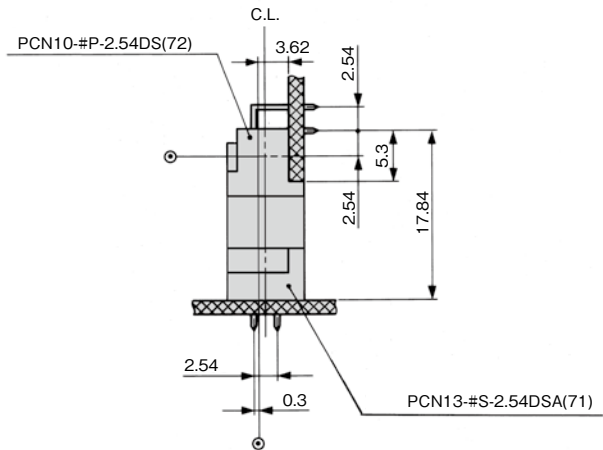
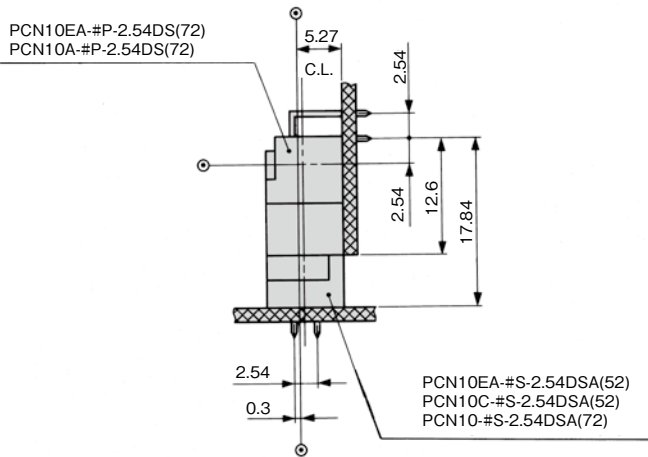
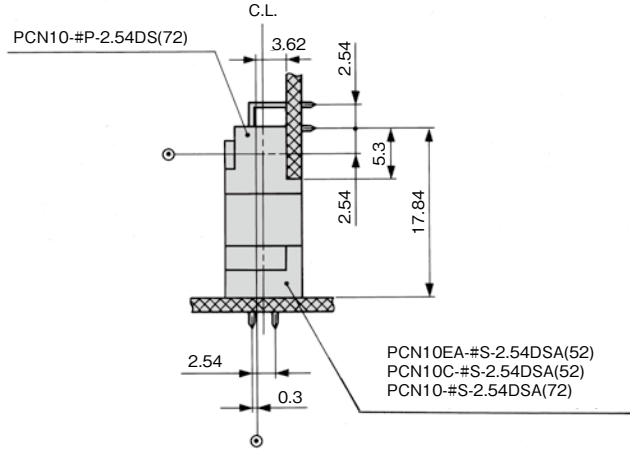
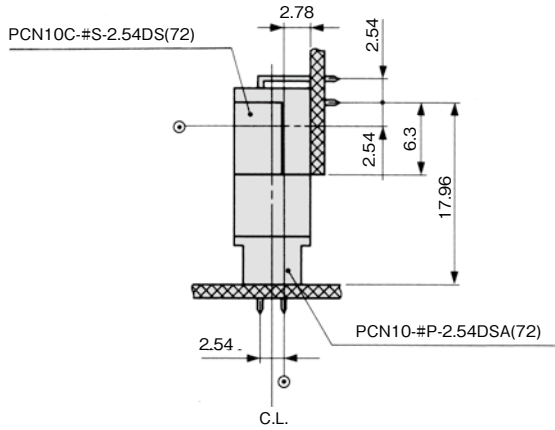
Part No.	HRS No.	No. of Pos.	A	B	C	D	RoHS	Purchase Unit
PCN13-48S-2.54DSA(71)	CL0583-3010-9-71	48	54.36	50.00	44.36	38.10	○	20pcs per tray
PCN13-96S-2.54DSA(71)	CL0583-3011-1-71	96	95.00	90.00	85.00	78.74		15pcs per tray

Application Pattern

● Right Angle Connection

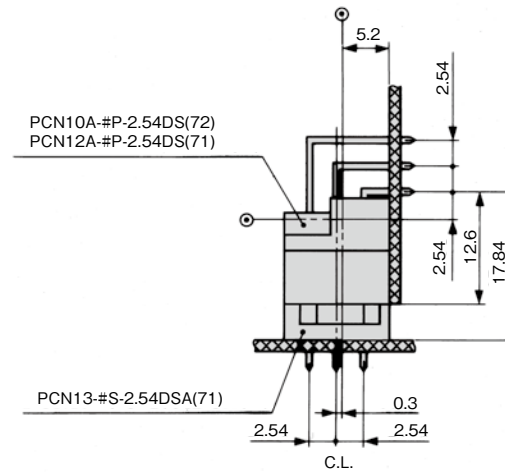
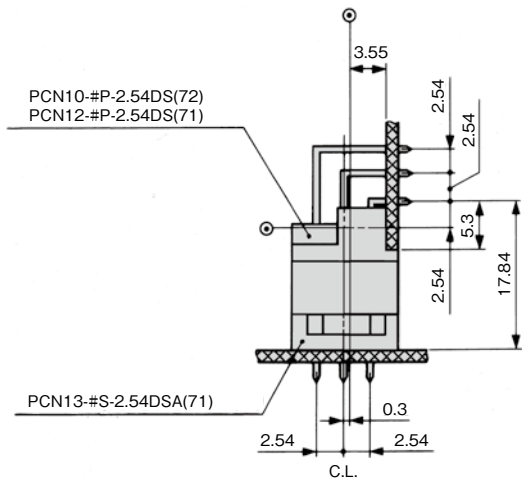
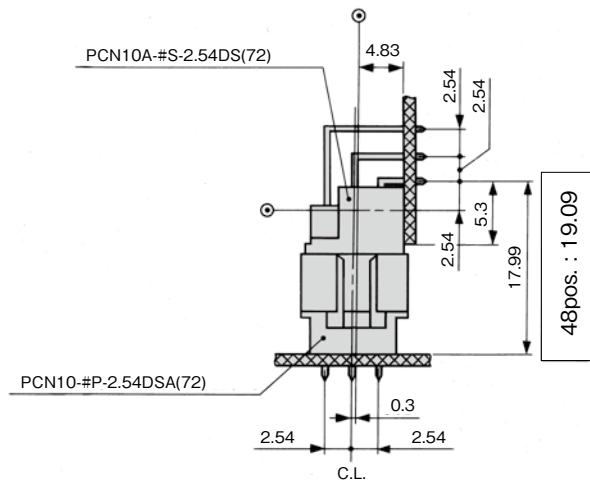
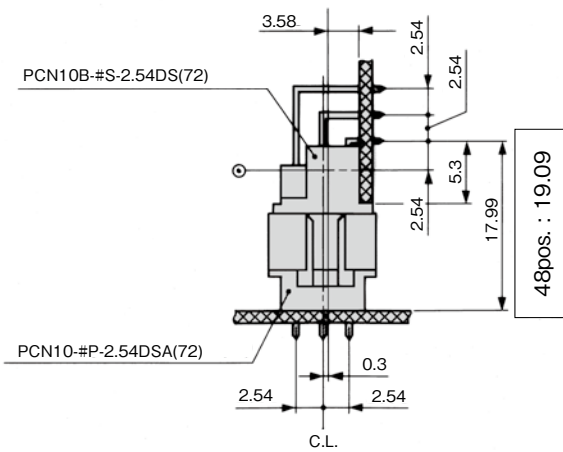
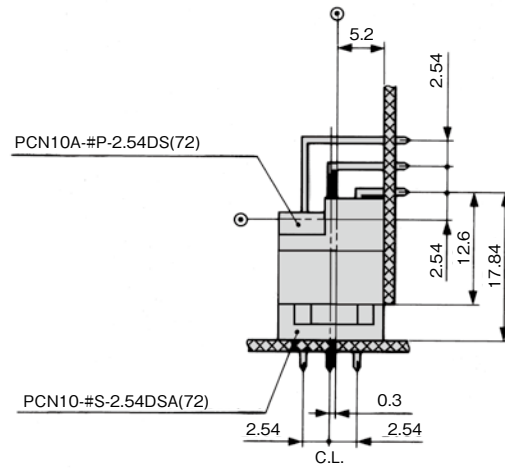
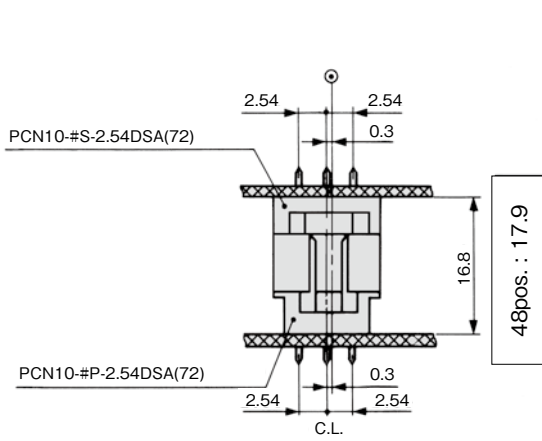
● 2-row Type

⊙ Mounting Hole Center
C.L. Center Line

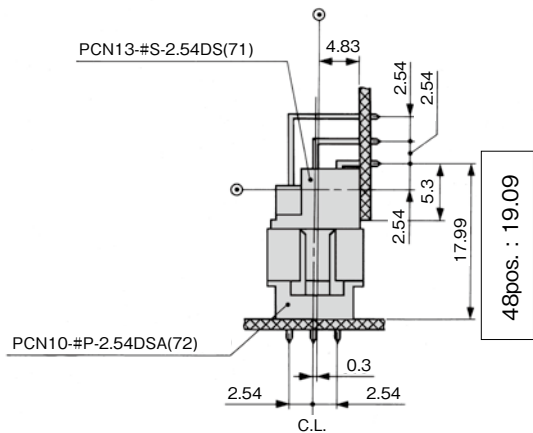
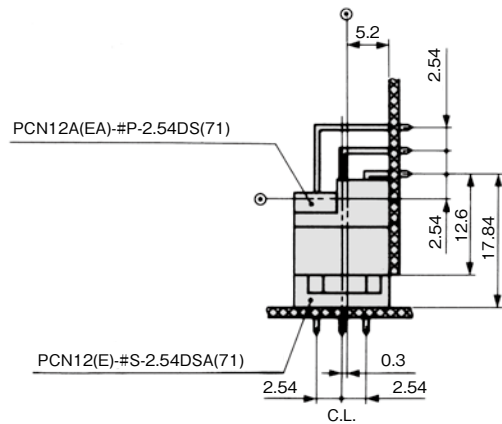
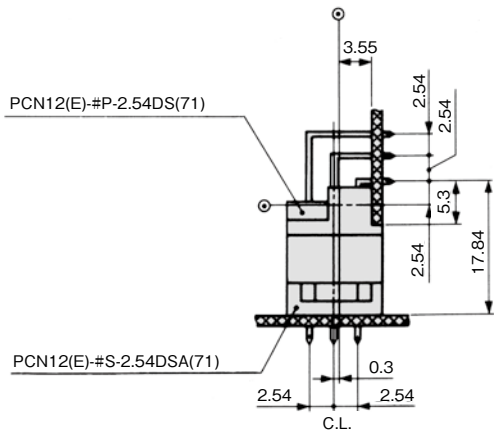


● 3-row Type

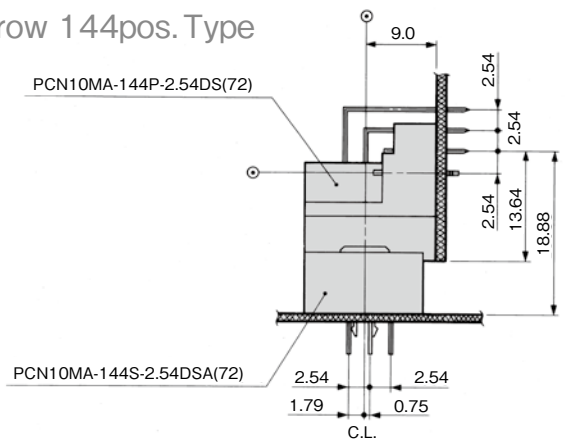
⊙ Mounting Hole Center
C.L. Center Line



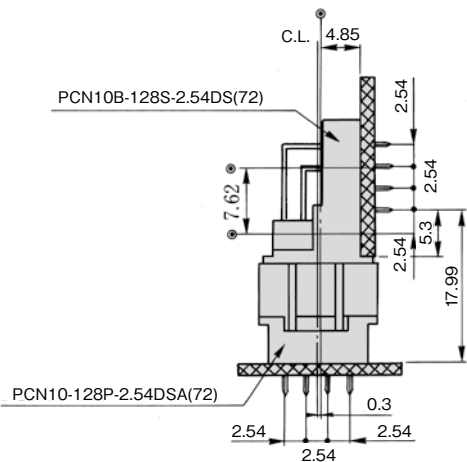
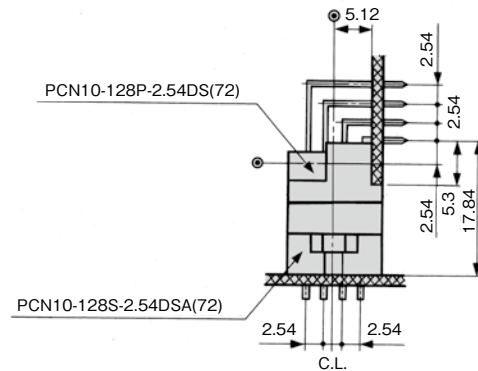
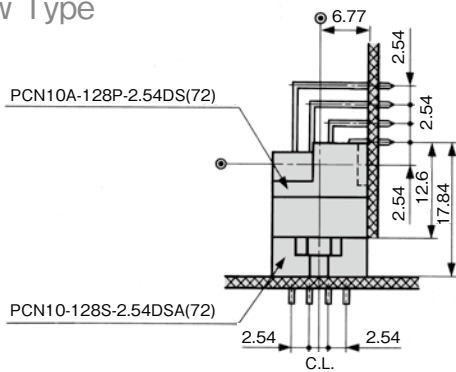
⊙ Mounting Hole Center
C.L. Center Line



● 3-row 144pos. Type



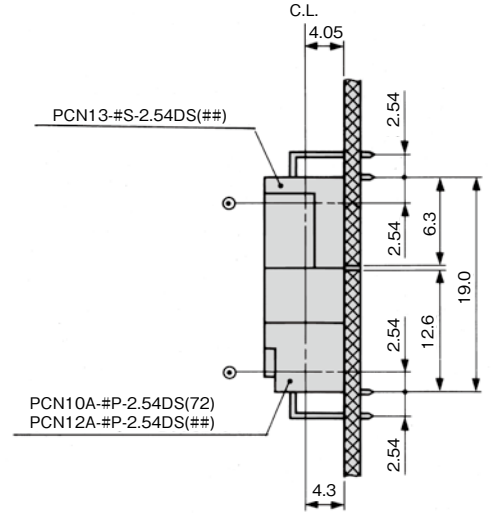
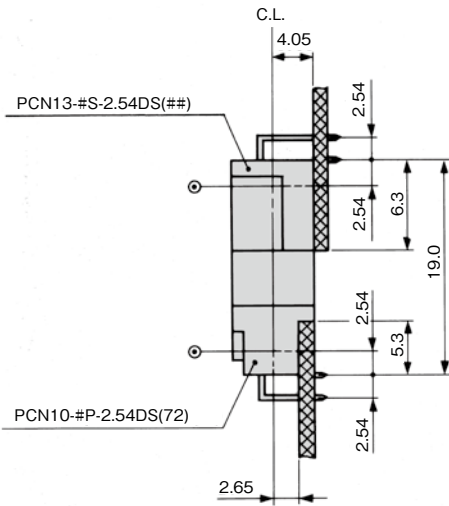
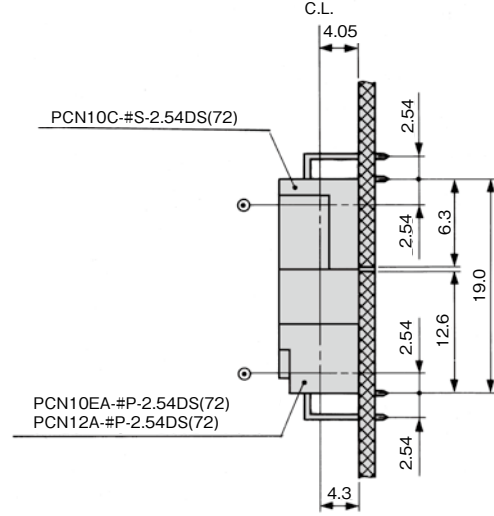
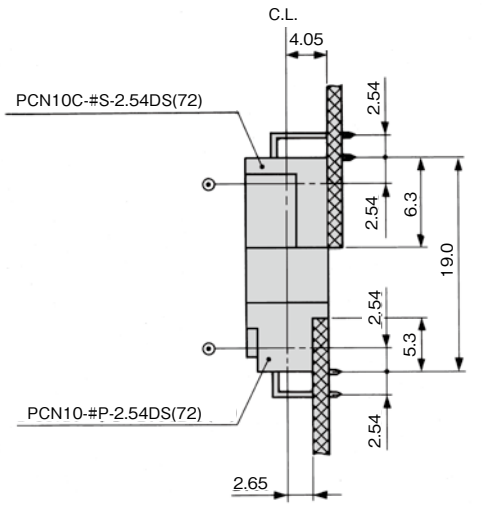
● 4-row Type



● Coplanar Connection

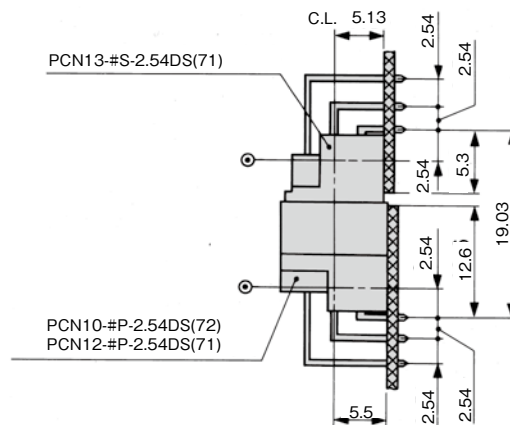
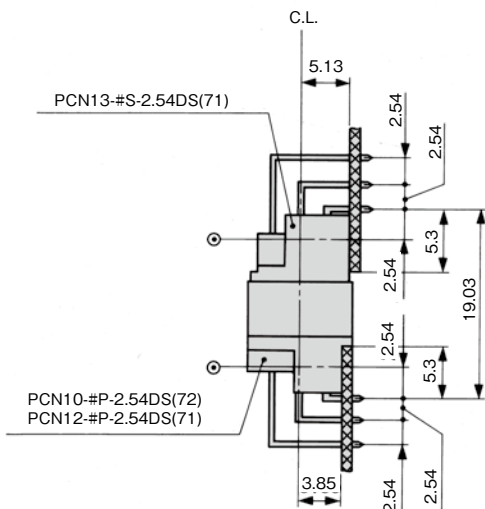
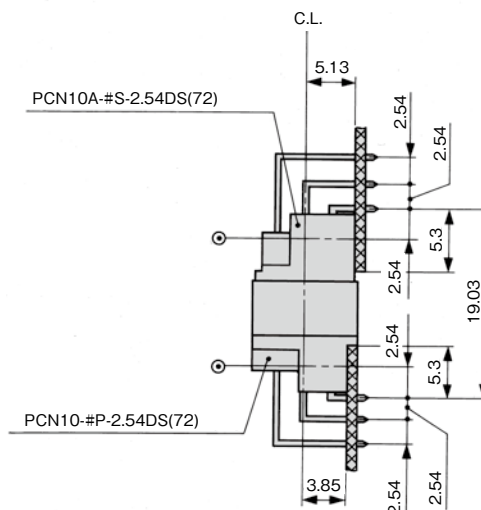
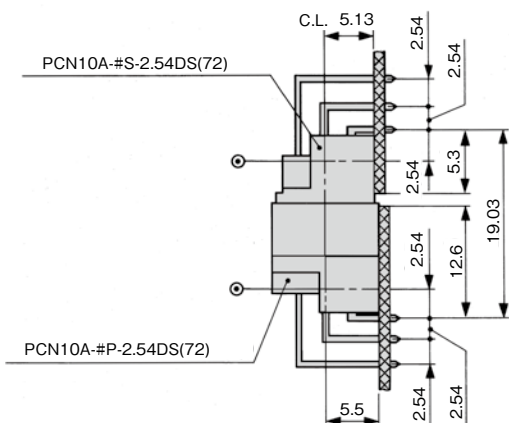
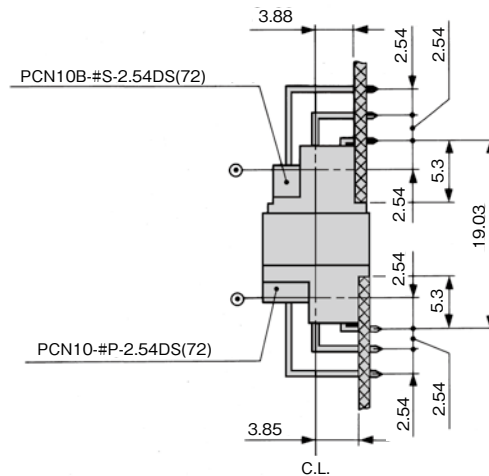
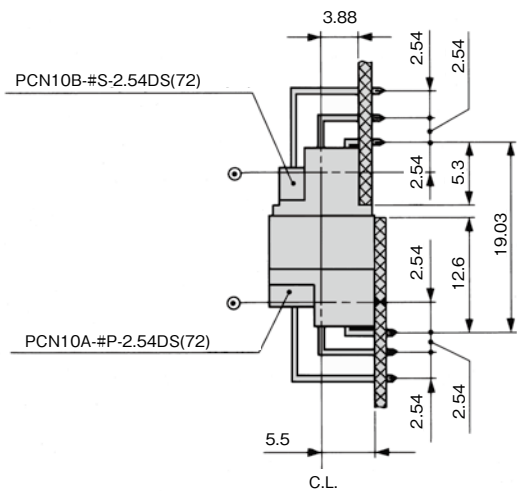
● 2-row Type

⊙ Mounting Hole Center
C.L. Center Line

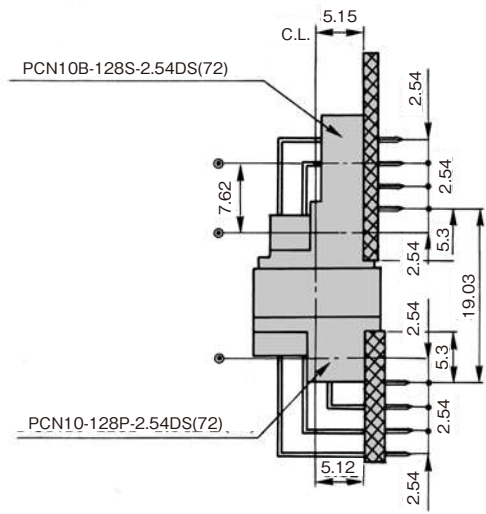
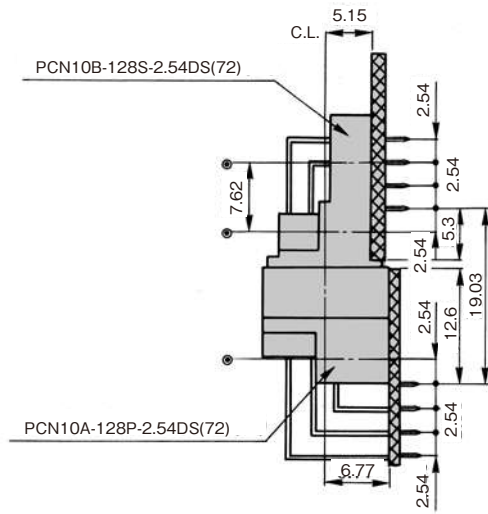


● 3-row Type

⊙ Mounting Hole Center
C.L. Center Line



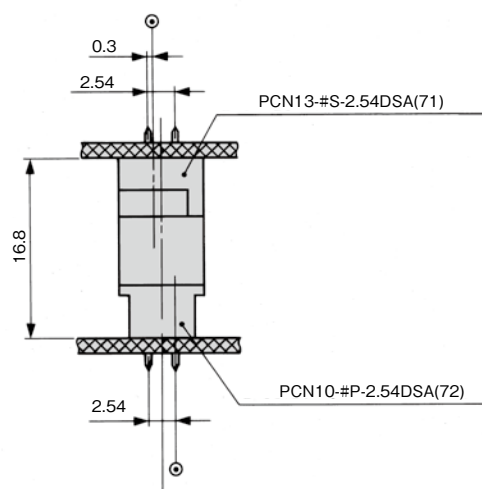
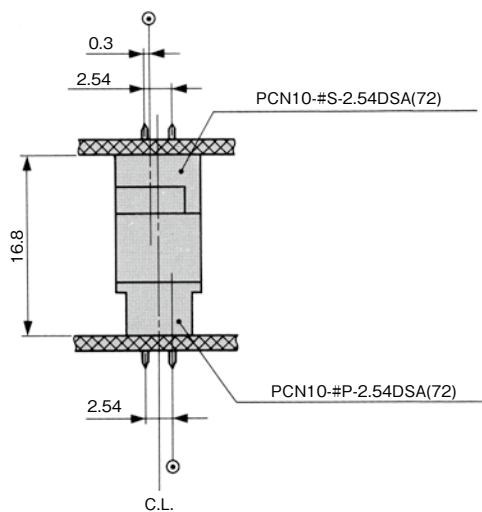
● 4-row Type



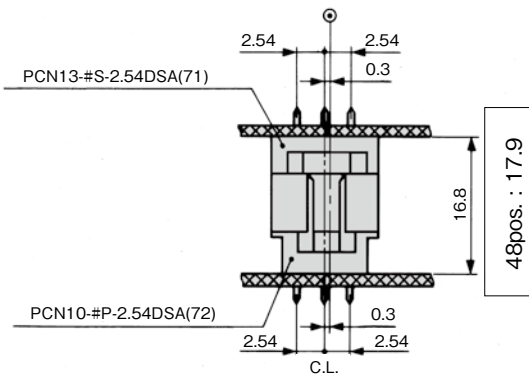
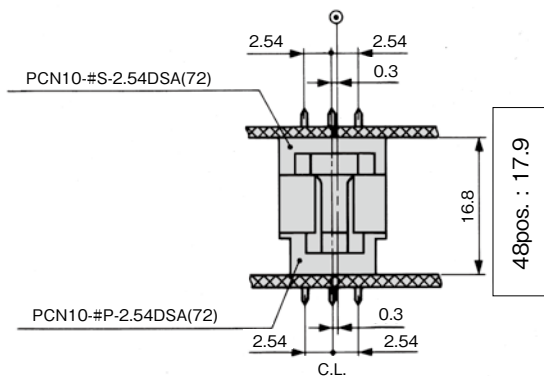
● Parallel Connection

● 2-row Type

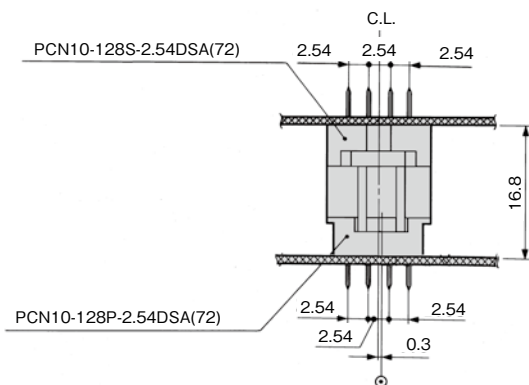
⊙ Mounting Hole Center
C.L. Center Line



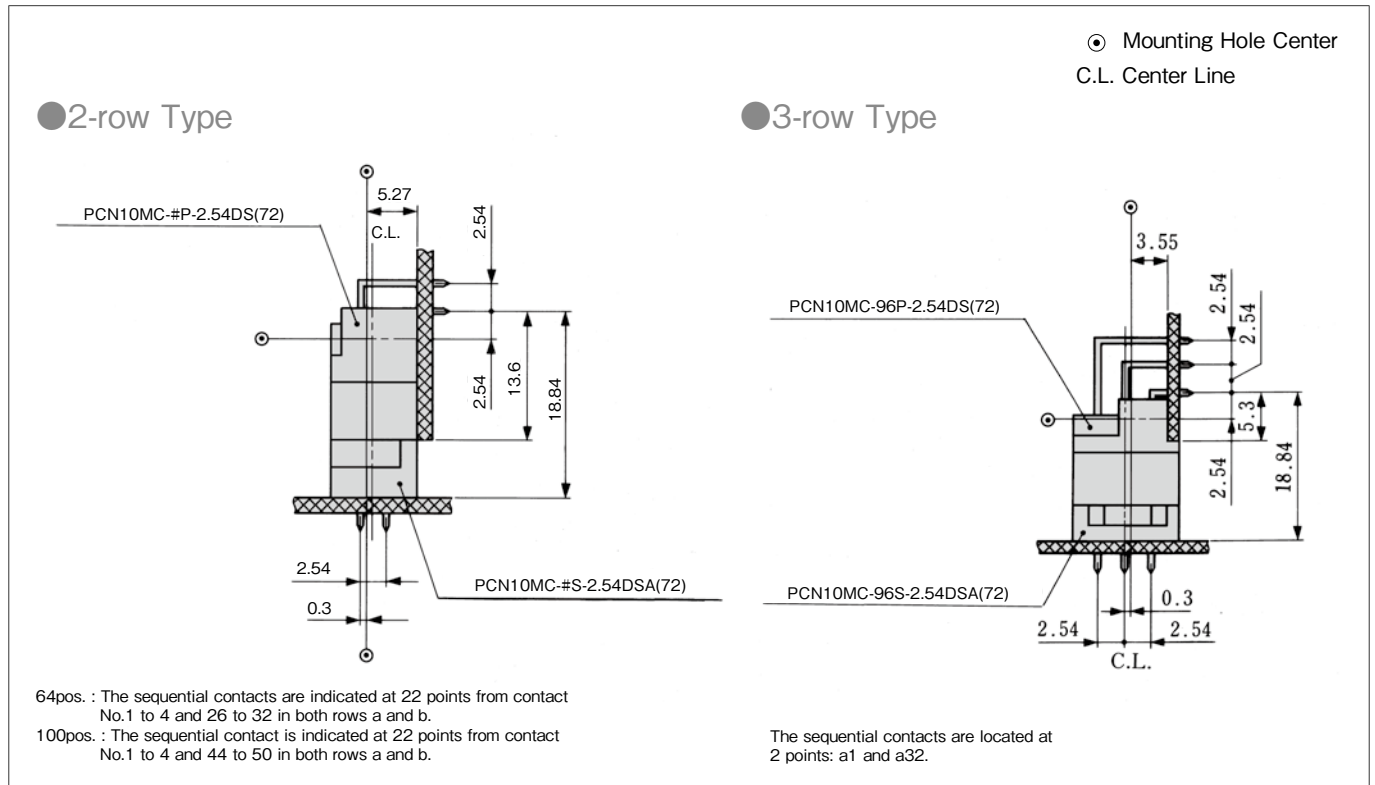
● 3-row Type



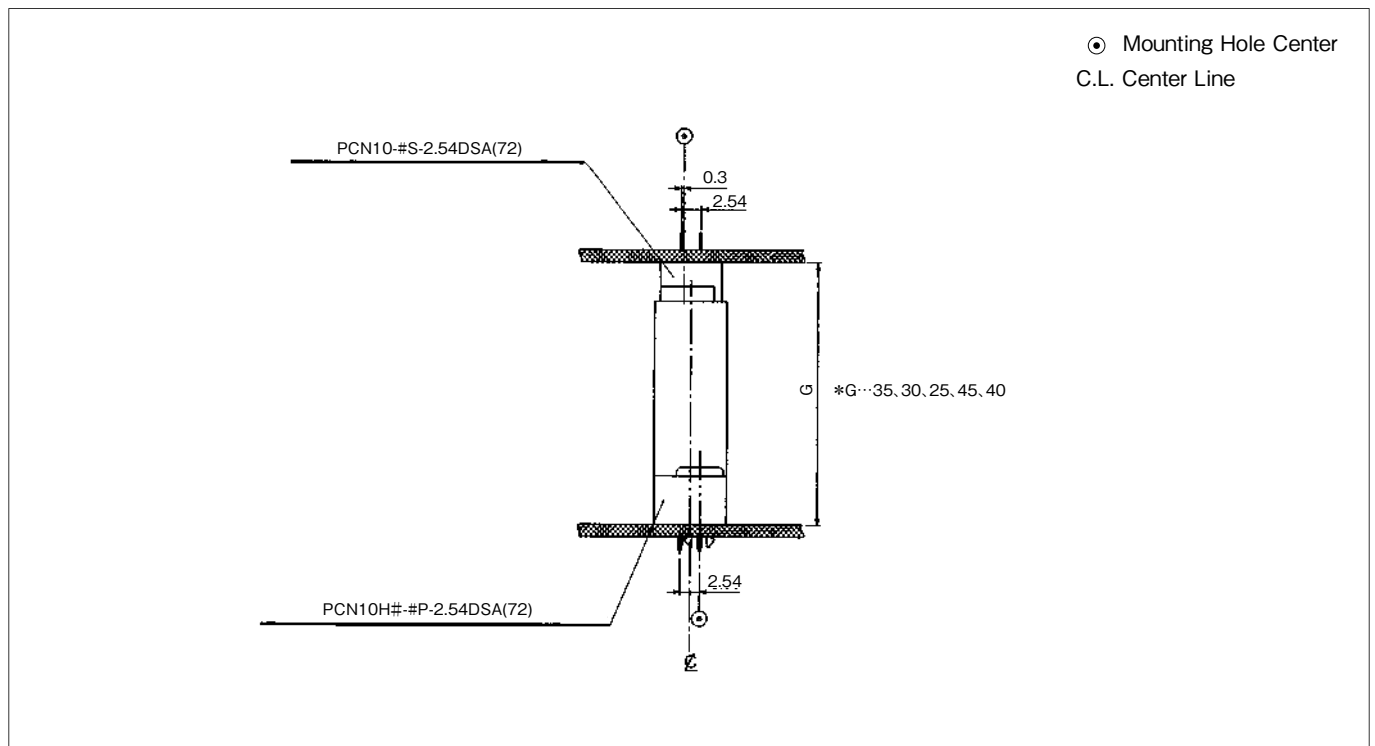
● 4-row Type



● Circuit Protection Type



● Stacking Connector

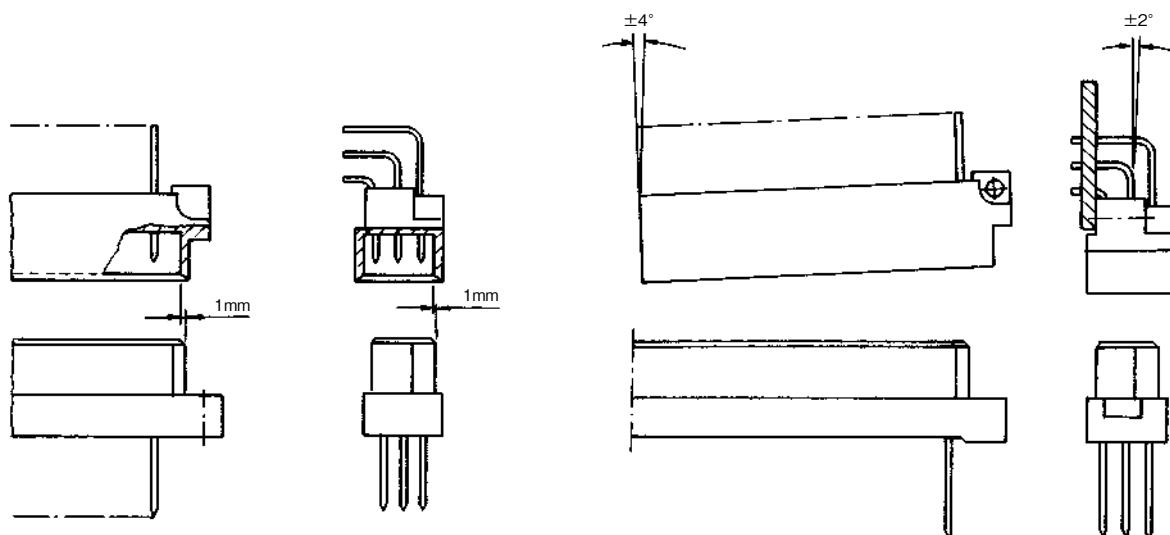


Precautions

● DIN Connector Mating Conditions

Use Hirose DIN connectors within the following range.

The contacts of the PCN10 Series receptacle rattle slightly in order to stabilize the contact installation but this does not represent a performance issue.



While Taking in Consideration

Specifications mentioned in this catalog are reference values.

When considering to order or use this product, please confirm the Drawing and Product Specifications sheets.

Use an appropriate cable when using the connector in combination with cables.

If considering usage of a non-specified cable, please contact your sales representative.

If assembly process is done by jigs & tools which are not identified by Hirose, assurance will not be given.

If considering usage for below mentioned applications, please contact your sales representative.

In cases where the application will demand a high level of reliability, such as automotive, medical instruments, public infrastructure, aerospace/ defense etc. Hirose must review before assurance of reliability can be given.