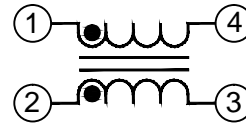
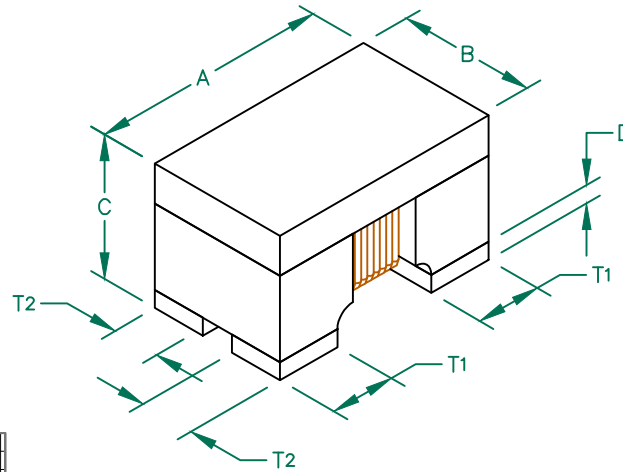


CM0805C161R-10

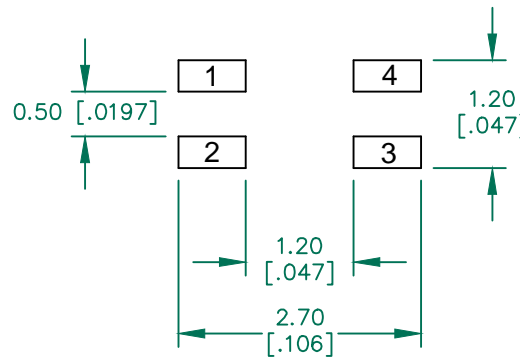
PHYSICAL DIMENSIONS:

| | | |
|---|-------------|---------------|
| A | 2.00 [.079] | + 0.20 [.008] |
| B | 1.20 [.047] | + 0.20 [.008] |
| C | 1.20 [.047] | + 0.20 [.008] |
| D | 0.15 [.006] | + 0.10 [.004] |

| | | |
|----|-------------|---------------|
| T1 | 0.55 [.022] | + 0.10 [.004] |
| T2 | 0.46 [.018] | + 0.10 [.004] |



LAND PATTERNS FOR REFLOW SOLDERING

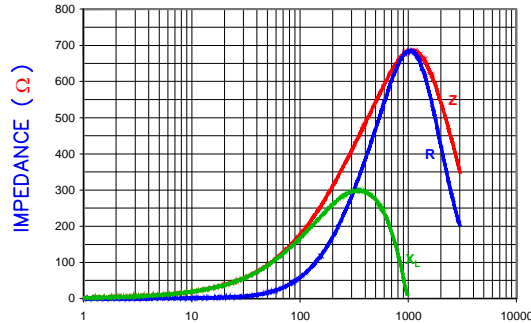


| Electrical Characteristics | Nominal | Min | Max |
|--------------------------------|------------------|-----|------|
| Common Mode Impedance @ 100MHz | (Ω) 160 | 120 | 200 |
| DCR | (Ω) - | - | 0.35 |
| Rated Current | (mA) - | - | 300 |

NOTES: UNLESS OTHERWISE SPECIFIED

1. TAPED AND REELED PER CURRENT EIA SPECIFICATIONS 7" REELS, EMBOSSED PLASTIC TAPE 2,000 PCS/REEL.
2. TERMINATION FINISH 100% MATTE TIN.
3. COMPONENTS SHOULD BE ADEQUATELY PREHEATED BEFORE SOLDERING..
4. OPERATING TEMP. RANGE: $-40^{\circ}\text{C} \sim +125^{\circ}\text{C}$. (INCLUDING SELF-HEATING)
5. COSMETIC SPECIFICATION REFER TO WI-QA-124.

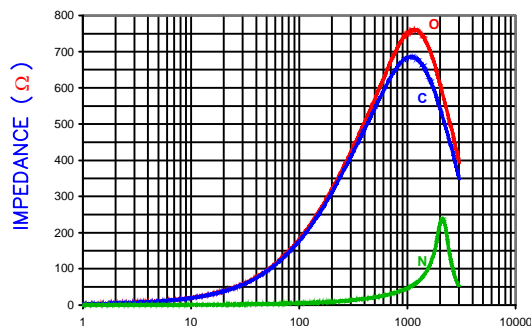
Z, R, XL vs. FREQUENCY



FREQUENCY (MHz)



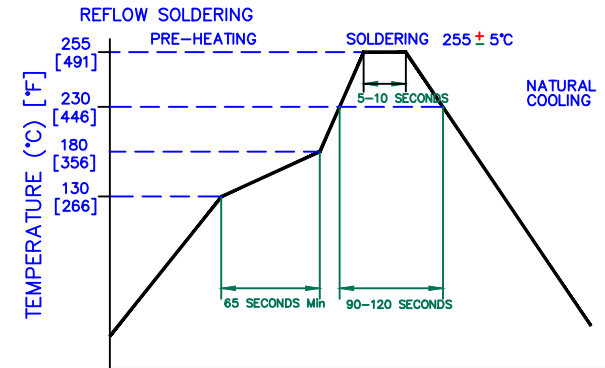
Z vs. FREQUENCY (C,N,O)



FREQUENCY (MHz)



RECOMMENDED SOLDERING CONDITIONS



RoHS

| DIMENSIONS ARE IN mm [INCHES]. | | | | This print is the property of Laird Tech. and is loaned in confidence subject to return upon request and with the understanding that no copies shall be made without the written consent of Laird Tech. All rights to design or invention are reserved. | | | |
|--------------------------------|--|----------|-----|---|---------------|---------------|---|
| E | ADD OPERATING TEMPERATURE UPDATE LAIRD LOGO AND REFLOW CURVE | 08/05/13 | QU | | | | |
| D | CHANGE T1 AND T2 DIMENSIONS | 01/11/10 | JUN | | | | |
| C | UPDATE COMPANY LOGO | 04/28/09 | JRK | | | | |
| B | UPDATE COMPANY LOGO | 05/10/07 | JRK | | | | |
| A | ORIGINAL DRAFT | 08/11/06 | JRK | | | | |
| REV | | | | DESCRIPTION | DATE | INT | PROJECT/PART NUMBER: CM0805C161R-10 |
| DATE: 08/11/06 | | | | SCALE: NTS | SHEET: 1 of 1 | | REV: E |
| TOOL # - | | | | PART TYPE: CM CHOKE | | DRAWN BY: JRK | |