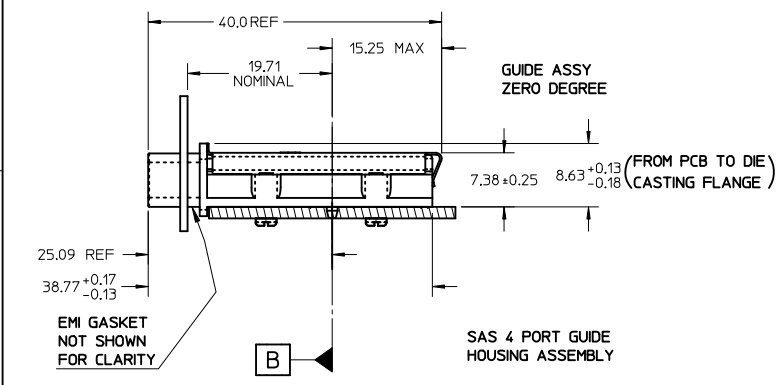


- NOTES:
1. PCB AND BRACKET SHOWN FOR REFERENCE ONLY.
 2. REF. SD-74547-100 FOR KEY POSITIONS
 3. GUIDE HOUSING MOUNTING THREAD= M2 X 0.40. SEE SHEET 3 FOR SCREW LENGTH + TORQUE SPEC.
 4. PLATE GROUND PAD WITH EMERSION SILVER OR GOLD.
 5. MATERIAL:
GUIDE HOUSING - ZINC DIECAST, NICKEL PLATED
COVER - STAINLESS STEEL
 6. NO RoHS EXEMPTIONS.
 7. GUIDE HOUSING PEGS FOR ALIGNMENT ONLY, DO NOT SOLDER.

PART NUMBER	PORT SIZE	SW	OAW	KEY(S) PORT1	KEY(S) PORT2	KEY(S) PORT3	KEY(S) PORT4	IDENTIFIERS
745480200	4	76.30	80.00	1	1	1	1	SATA - 'X' CABLES
745480203	4	76.30	80.00	2,4	2,4	2,4	2,4	SAS OUT PORT/END DEVICE
745480204	4	76.30	80.00	4,6	4,6	4,6	4,6	SAS IN PORT/END DEVICE
745480205	4	76.30	80.00	4	4	4	4	SAS UNIVERSAL PORT
745480212	4	76.30	80.00	7	7	7	7	SATA - 'M' CABLES
745480217	4	76.30	80.00	2	2	2	2	SAS - OUT PORT
745480220	4	76.30	80.00	6	6	6	6	SAS - IN PORT
745480304	4	76.30	80.00	2,7	2,7	2,7	2,7	CX4
745480401	4	76.29	79.99	2,6	4	4	4	CUSTOM

IPASS IS A TRADE MARK OF MOLEX.



SEE REVISION TABLE EC NO: CPG2015-0132 DRWN:SYANG16 2013/09/27 CHK:EWANG07 2014/08/15 APPR:RCHEN08 2014/08/19	QUALITY SYMBOLS ▽=0 ▽=0 ▽=0	GENERAL TOLERANCES (UNLESS SPECIFIED) mm INCH 4 PLACES ± --- ± --- 3 PLACES ± --- ± --- 2 PLACES ± 0.13 ± --- 1 PLACE ± 0.25 ± --- 0 PLACE ± ±	DIMENSION STYLE MM ONLY DRAWN BY SNAVARRO DATE 2006/05/26 CHECKED BY BREED DATE 2006/05/26 APPROVED BY DDOYE DATE 2006/05/26	SCALE 1:1 DESIGN UNITS METRIC THIRD ANGLE PROJECTION	TITLE I-PASS 26 CKT ZERO DEG. EMI GUIDE RAIL HOUSING ASSEMBLY, MULTI PORT DOCUMENT NO. SD-74548-200 SHEET NO. 1 OF 4
	ANGULAR ±1/2° DRAFT WHERE APPLICABLE MUST REMAIN WITHIN DIMENSIONS	MATERIAL NO. SEE TABLE	THIS DRAWING CONTAINS INFORMATION THAT IS PROPRIETARY TO MOLEX INCORPORATED AND SHOULD NOT BE USED WITHOUT WRITTEN PERMISSION		
	SEE REVISION TABLE	MATERIAL NO. SEE TABLE	THIS DRAWING CONTAINS INFORMATION THAT IS PROPRIETARY TO MOLEX INCORPORATED AND SHOULD NOT BE USED WITHOUT WRITTEN PERMISSION		
	SEE REVISION TABLE	MATERIAL NO. SEE TABLE	THIS DRAWING CONTAINS INFORMATION THAT IS PROPRIETARY TO MOLEX INCORPORATED AND SHOULD NOT BE USED WITHOUT WRITTEN PERMISSION		

10 9 8 7 6 5 4 3 2 1

F

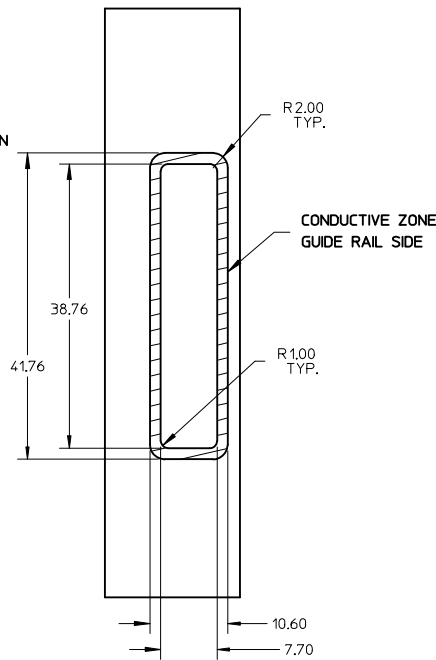
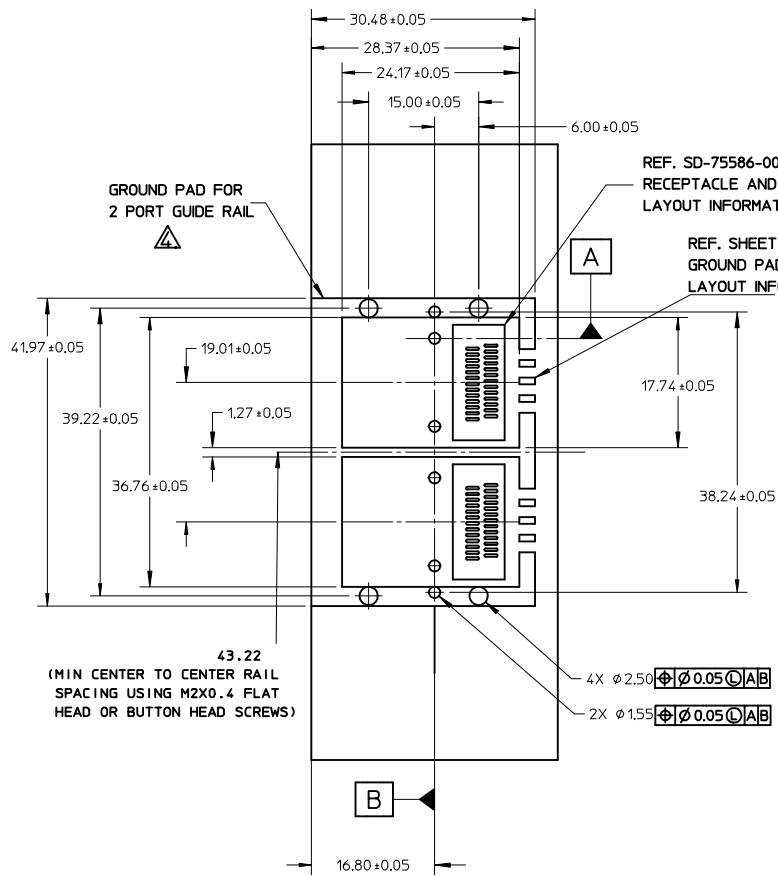
E

D

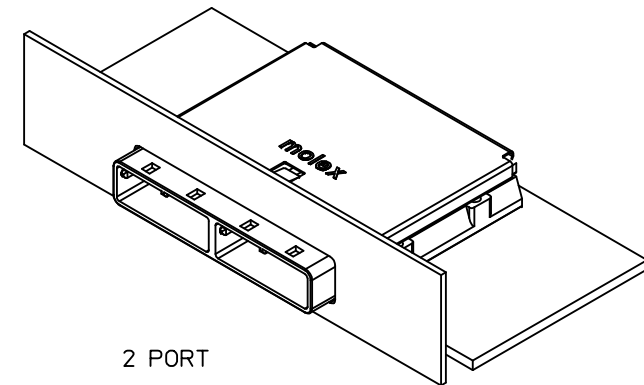
C

B

A



IO BRACKET WINDOW



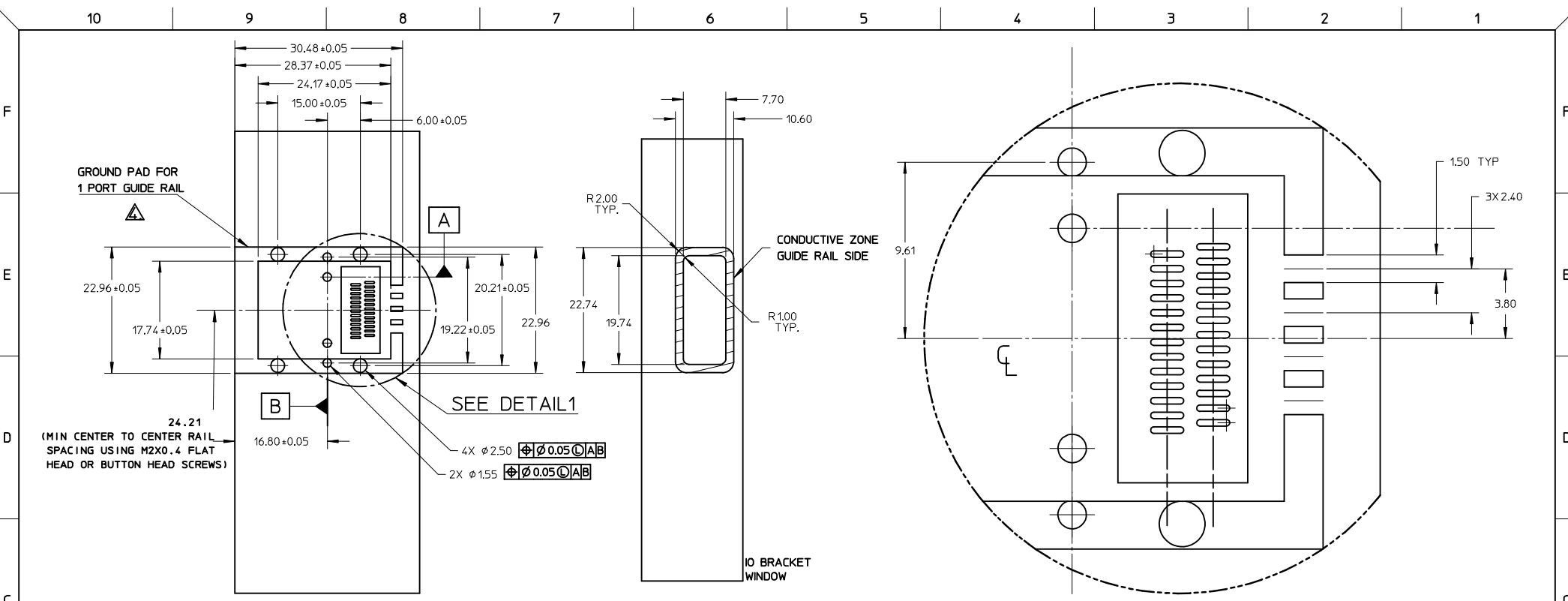
2 PORT

PART NUMBER	PORT SIZE	SW	OAW	KEY(S) PORT1	KEY(S) PORT2	IDENTIFIERS
745480202	2	38.26	41.96	1	1	SATA - 'X' CABLES
745480206	2	38.26	41.96	2,4	2,4	SAS OUT PORT/END DEVICE
745480207	2	38.26	41.96	4,6	4,6	SAS IN PORT/END DEVICE
745480208	2	38.26	41.96	4	4	SAS UNIVERSAL PORT
745480213	2	38.26	41.96	7	7	SATA - 'M' CABLES
745480215	2	38.26	41.96	4,6	2,4	SAS IN PORT - SAS OUT PORT
745480216	2	38.26	41.96	2,4	4,6	SAS OUT PORT - SAS IN PORT
745480218	2	38.26	41.96	2	2	SAS - IN PORT
745480221	2	38.26	41.96	6	6	SAS - OUT PORT
745480224	2	38.26	41.96	3	3	SRIO

I-PASS IS A TRADE MARK OF MOLEX.

SEE REVISION TABLE	QUALITY SYMBOLS	GENERAL TOLERANCES (UNLESS SPECIFIED)		DIMENSION STYLE		SCALE	DESIGN UNITS	THIRD ANGLE PROJECTION	
		mm	INCH	MM ONLY	MM ONLY	1:1	METRIC		
EC NO: CPG2015-0132 DRWN:SYANG16 2013/09/27 CHKD:WANG07 2014/08/15 APPR:RCHEN08 2014/08/19	$\nabla = 0$	4 PLACES	± ---	± ---	DRAWN BY	DATE	TITLE I-PASS 26 CKT ZERO DEG. EMI GUIDE RAIL HOUSING ASSEMBLY, MULTI PORT molex	MATERIAL NO. SEE TABLE	DOCUMENT NO. SD-74548-200
	$\nabla = 0$	3 PLACES	± ---	± ---	CHECKED BY	DATE			
	$\nabla = 0$	2 PLACES	± 0.13	± ---	BREED	2006/05/26			
	$\nabla = 0$	1 PLACE	± 0.25	± ---	APPROVED BY	DATE			
	$\nabla = 0$	0 PLACE	±	±	DDOYE	2006/05/26			
		ANGULAR ±1/2°						SHEET NO.	2 OF 4
DRAFT WHERE APPLICABLE MUST REMAIN WITHIN DIMENSIONS				SIZE B		THIS DRAWING CONTAINS INFORMATION THAT IS PROPRIETARY TO MOLEX INCORPORATED AND SHOULD NOT BE USED WITHOUT WRITTEN PERMISSION			

9 8 7 6 5 4 3 2 1



24.21
(MIN CENTER TO CENTER RAIL
SPACING USING M2X0.4 FLAT
HEAD OR BUTTON HEAD SCREWS)

SEE DETAIL 1

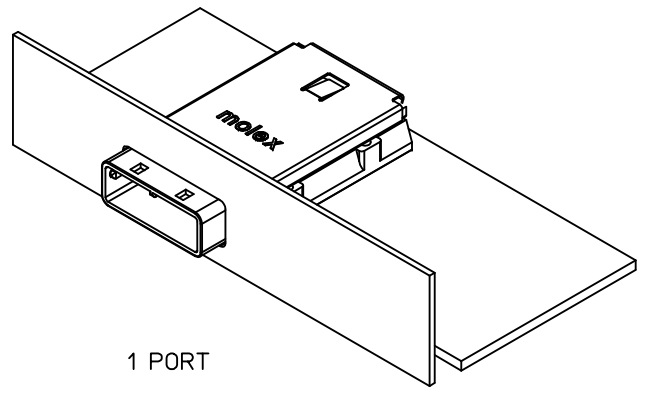
CONDUCTIVE ZONE
GUIDE RAIL SIDE

IO BRACKET
WINDOW

DETAIL 1
Scale 5:1

PART NUMBER	PORT SIZE	SW	OAW	KEY(S)	IDENTIFIERS
745480201	1	19.24	22.95	1	SATA - 'X' CABLES
745480209	1	19.24	22.95	2,4	SAS OUT PORT/END DEVICE
745480210	1	19.24	22.95	4,6	SAS IN PORT/END DEVICE
745480211	1	19.24	22.95	4	SAS UNIVERSAL PORT
745480214	1	19.24	22.95	7	SATA - 'M' CABLES
745480219	1	19.24	22.95	2	SAS OUT PORT
745480222	1	19.24	22.95	6	SAS IN PORT
745480225	1	19.24	22.95	3	SR10
745480229	1	19.24	22.95	2,7	CX4

PCB THICKNESS	SCREW LENGTH	TORQUE (IN LBS)
1.6 (.063')	5MM	2.3
2.38 (.093')	6MM	2.3
3.2 (.125')	6MM	2.3
X	+4MM MAX	2.3



1 PORT

SEE REVISION TABLE
EC NO: CPG2015-0132
DRAWN:SYANG16 2013/09/27
CHKD:EWANG07 2014/08/15
APPR:RICHEN08 2014/08/19

QUALITY SYMBOLS
▽=0
▽=0
▽=0

GENERAL TOLERANCES (UNLESS SPECIFIED)
mm INCH
4 PLACES ± --- ± ---
3 PLACES ± --- ± ---
2 PLACES ± 0.13 ± ---
1 PLACE ± 0.25 ± ---
0 PLACE ± ±
ANGULAR ± 1/2°
DRAFT WHERE APPLICABLE MUST REMAIN WITHIN DIMENSIONS

DIMENSION STYLE MM ONLY
DRAWN BY SNAVARRO DATE 2006/05/26
CHECKED BY BREED DATE 2006/05/26
APPROVED BY DDOYE DATE 2006/05/26
MATERIAL NO.
SEE TABLE

SCALE 1:1
DESIGN UNITS METRIC
THIRD ANGLE PROJECTION
TITLE I-PASS 26 CKT ZERO DEG. EMI GUIDE RAIL HOUSING ASSEMBLY, MULTI PORT
DOCUMENT NO. SD-74548-200
SHEET NO. 3 OF 4

DATE	REV	DESCRIPTION
2014/08/14	U	1.CHANGED 40.0 TO 40.0 REF $\text{\textcircled{0}B9}$ [SHEET 1] 2.CHANGED DIM 25.09 TO 25.09 REF $\text{\textcircled{0}A10}$ BASED ON SFF-8088 [SHEET 1] 3.ADDED NOTE FOR DIM 8.63 +0.13/-0.18 $\text{\textcircled{0}A7}$ [SHEET 1] 4.ADDED DIM 15.25MAX $\text{\textcircled{0}B9}$ BASED ON SFF-8088 [SHEET 1] 5.ADDED REVISION HISTORY [SHEET 4]. 6.CHANGED ALL LOCATIONS OF DIMENSION MULTIPLIERS. (EX: "YY(3)" TO "3X YY")

SEE REVISION TABLE EC NO: CPG2015-0132 U DRWN:SYANG16 2013/09/27 CHKD:EWANG07 2014/08/15 APPR:RCHEN08 2014/08/19	QUALITY SYMBOLS	GENERAL TOLERANCES (UNLESS SPECIFIED)	DIMENSION STYLE	SCALE	DESIGN UNITS	THIRD ANGLE PROJECTION
		mm INCH	MM ONLY	1:1	METRIC	
	$\nabla = 0$	4 PLACES ± --- ± ---	DRAWN BY DATE	TITLE I-PASS 26 CKT ZERO DEG. EMI GUIDE RAIL HOUSING ASSEMBLY, MULTI PORT molex DOCUMENT NO. SD-74548-200 SHEET NO. 4 OF 4		
	$\nabla = 0$	3 PLACES ± --- ± ---	CHECKED BY DATE			
	$\nabla = 0$	2 PLACES ± 0.13 ± ---	BREED 2006/05/26			
$\nabla = 0$	1 PLACE ± 0.25 ± ---	APPROVED BY DATE				
	0 PLACE ± ±	DDOYE 2006/05/26	MATERIAL NO.			
	ANGULAR ±1/2°	SEE TABLE				
	DRAFT WHERE APPLICABLE MUST REMAIN WITHIN DIMENSIONS	THIS DRAWING CONTAINS INFORMATION THAT IS PROPRIETARY TO MOLEX INCORPORATED AND SHOULD NOT BE USED WITHOUT WRITTEN PERMISSION				