

Style

M8 Plug, shielded
 4 pin
 A-coding

Ratings

Voltage: 30 V
 Current: 3 A

Operating Temperature Range

-40~105 °C

Materials

- ① Insulator: PA66, UL94, HB, black
- ② Pin: C3604 brass, gold flashing
- ③ Nut: C3604 brass, nickel plated
- ④ Shell: C3604 brass, nickel plated

Electrical Requirements

Dielectric strength: 1 min @ 500 Vac
 Insulation resistance: 100 MΩ @ 500 Vdc
 Contact resistance: 10 mΩ or less

Mechanical Requirements

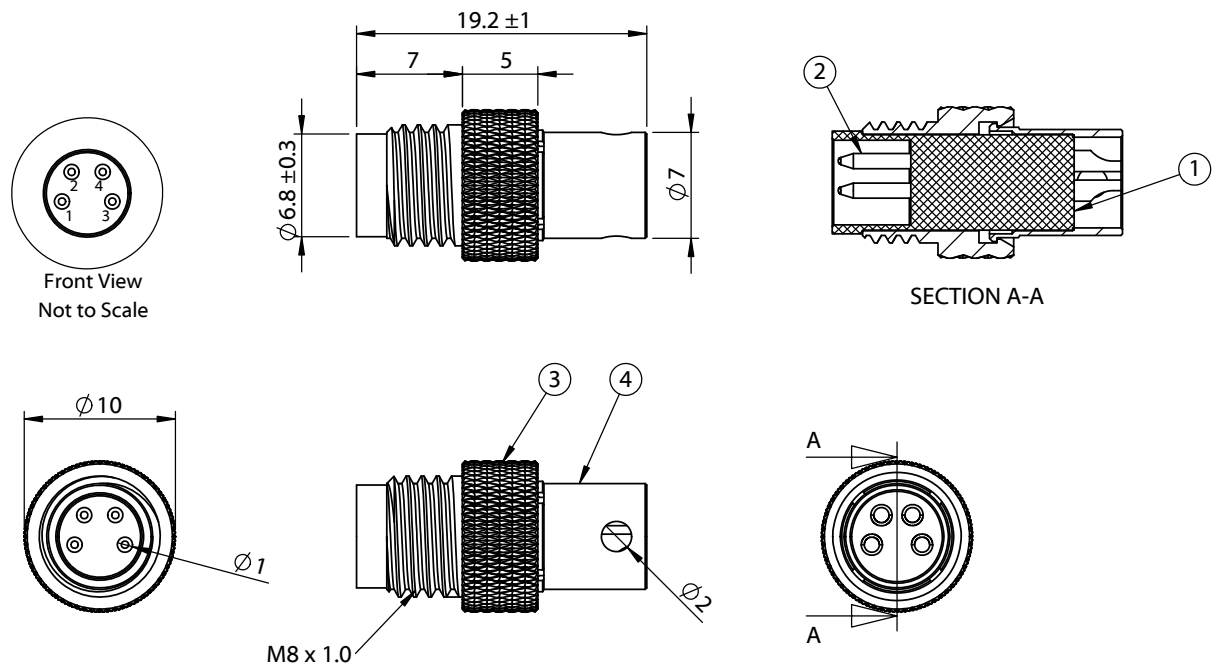
Life cycle: 1000 mating cycles minimum

Environmental Requirements

Salt spray test: 35 °C, relative humidity 90-95%, 5% NaCl mist for 24 hrs. Wash parts after test. Maintain mechanical requirements and a contact resistance of less than 10 mΩ.
 Waterproof: IP67

Assembly Info

Wire gauge: 24 AWG max



Revision:	Date:	Description:
A	8/20/21	Initial Release

Prepared:	Notes:
	RoHS compliant
Verified:	Function test: no open, no short circuit, no intermittent
Dimensions are in millimeters. Tolerances: X: ± 0.3 mm X.X: ± 0.1 mm X.XX: ± 0.05 mm	Description: Connector, 4 pin M8 plug, 8x19.2 mm, gold plated, molding style, solder cup, IP67, shielded

TENSILITY

tel 1.541.323.3228 800 877.670.7118
 fax 1.541.323.4202 web tensility.com

Size:	Part number:
A	50-00680
Scale: 2:1	Sheet 1 of 1