

4

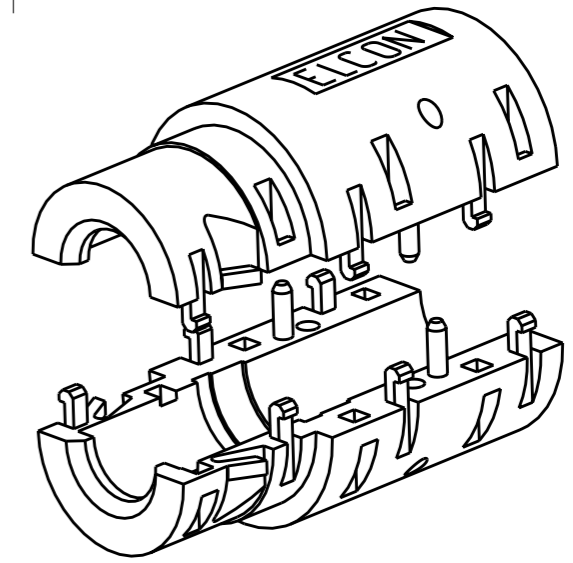
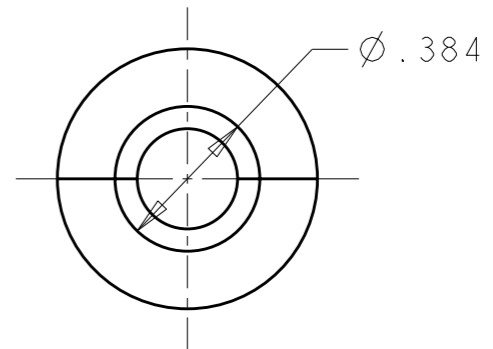
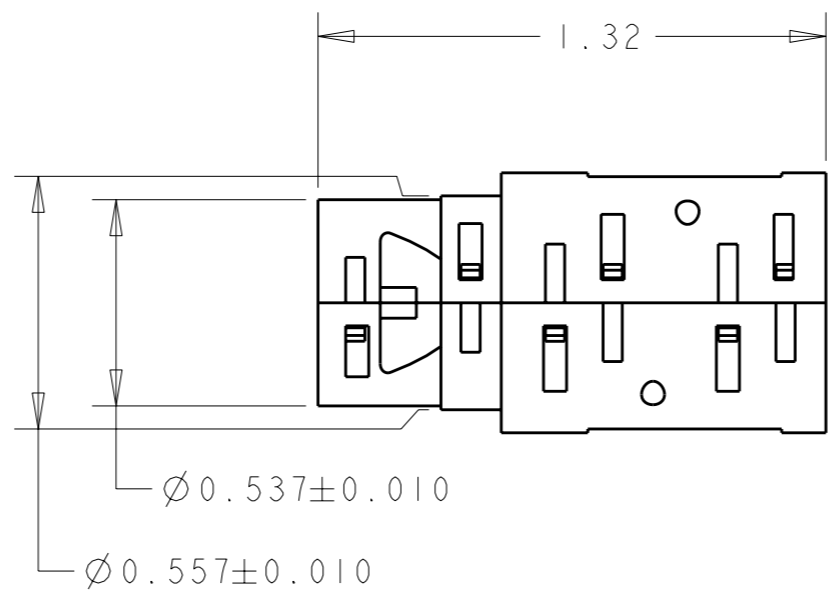
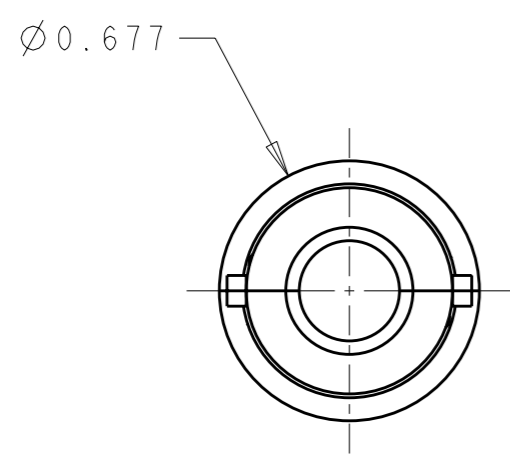
3

2

1

THIS DRAWING IS UNPUBLISHED. RELEASED FOR PUBLICATION 20
 © COPYRIGHT 20 BY TYCO ELECTRONICS CORPORATION. ALL RIGHTS RESERVED.

LOC	DIST	REVISIONS			
P	LTR	DESCRIPTION	DATE	DWN	APVD
GP	00	A	RELEASED	03OCT2008	RG MP



SCALE 2:1

- 1 MATERIAL: POLYESTER, FLAME RETARDANT, COLOR: BLACK
- 2. TWO PIECES OF LOCKING HOOD ARE SHIPPED LOOSE.
- 3. USE WITH SOCKET CONTACT SIZE No.4 TYCO ELECTRONICS P/N 6648434-1 TO BE ORDERED SEPARATELY.
- 4. ITEMS PROVIDED TO THIS SPECIFICATION TO BE PERMANENTLY MARKED ON THE CONTAINER PER THE FOLLOWING IDENTIFIER:

YEAR WEEK
 TYCO ELECTRONICS P/N XXXXXXX-X DATE CODE (e.g. 2024) XXXX

AS SHOWN	1651766-1
DESCRIPTION	PART NO.

<small>THIS DRAWING IS A CONTROLLED DOCUMENT FOR TYCO ELECTRONICS CORPORATION IT IS SUBJECT TO CHANGE AND THE CONTROLLING ENGINEERING ORGANIZATION SHOULD BE CONTACTED FOR THE LATEST REVISION.</small>		DWN 03OCT2008 R.GRZYBOWSKI		Tyco Electronics Harrisburg, PA 17105-3608	
DIMENSIONS: INCHES		TOLERANCES UNLESS OTHERWISE SPECIFIED: 0 PLC ±- 1 PLC ±- 2 PLC ±.01 3 PLC ±.005 4 PLC ±- ANGLES ±-		CHK 03OCT2008 M.PERCHERKE APVD 03OCT2008 M.PERCHERKE	
		PRODUCT SPEC -		NAME TOP ASSEMBLY HOOD LOCKING, SIZE No.4	
MATERIAL		FINISH -		APPLICATION SPEC -	
		WEIGHT -		SIZE CAGE CODE DRAWING NO RESTRICTED TO A300779 C-1651766 -	
CUSTOMER DRAWING				SCALE 2:1 SHEET 1 OF 1 REV A	