

4

3

2

1

THIS DRAWING IS UNPUBLISHED.

RELEASED FOR PUBLICATION

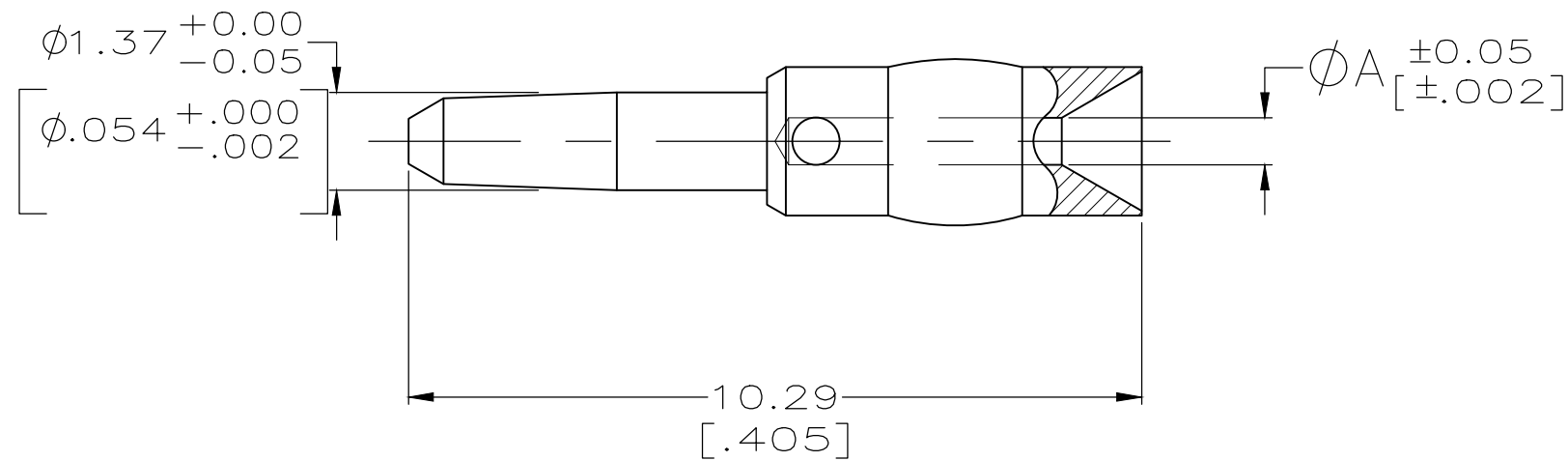
© COPYRIGHT - TE Connectivity Ltd.

ALL RIGHTS RESERVED.

REVISIONS

P	LTR	DESCRIPTION	DATE	DWN	APVD
	E1	REVISED PER ECR-16-001552	20DEC2019	RZ	RS

- ① BRASS PER QQ-B-626
- ② GOLD PLATE PER MIL-G-45204
0.76µm [.000030] MINIMUM THICK
- ③ GOLD PLATE PER MIL-G-45204
1.27µm [.000050] MINIMUM THICK
- ④ GOLD PLATE PER MIL-G-45204
2.54µm [.000100] MINIMUM THICK
- ⑤ SILVER PLATE PER QQ-S-365
2.54µm [.000100] MINIMUM THICK
- ⑥ GOLD PLATE PER MIL-G-45204
0.20µm [.000008] MINIMUM THICK



1.09 [.043]	④	1-331357-7
0.99 [.039]	④	1-331357-6
0.99 [.039]	⑤	1-331357-5
1.09 [.043]	⑥	1-331357-4
0.99 [.039]	⑥	1-331357-3
1.09 [.043]	③	1-331357-2
0.99 [.039]	③	1-331357-0

A	FINISH	PART NUMBER
---	--------	-------------

THIS DRAWING IS A CONTROLLED DOCUMENT.		DWN B.SCOTT 2-15-91			
DIMENSIONS: INCHES		CHK J. LIPPERT 3-20-91			
TOLERANCES UNLESS OTHERWISE SPECIFIED:		APVD -	NAME CONTACT, PLUG, SERIES BNC		
0 PLC ± -		PRODUCT SPEC -	APPLICATION SPEC -		
1 PLC ± -		APVD -	SIZE A3	CAGE CODE 00779	DRAWING NO C-331357
2 PLC ± 0.13 [.005]		APVD -	RESTRICTED TO -		
3 PLC ± -		APVD -	SCALE 10:1	SHEET 1 OF 1	REV E1
4 PLC ± -		APVD -	CUSTOMER DRAWING		
ANGLES ± -		WEIGHT 0.000000			
MATERIAL 1		FINISH SEE TABLE			