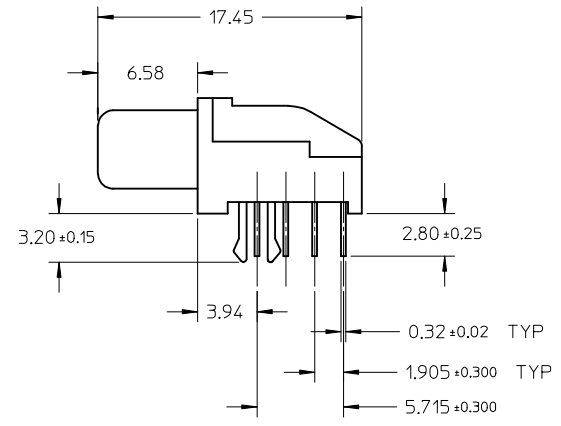
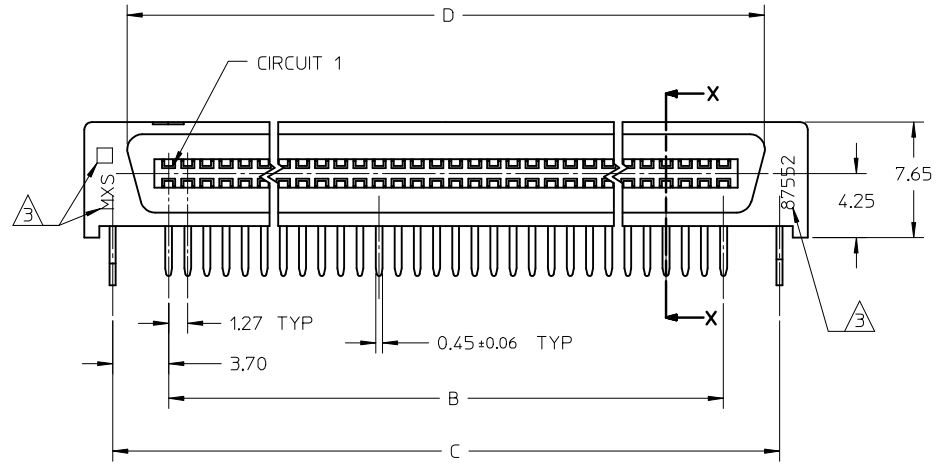
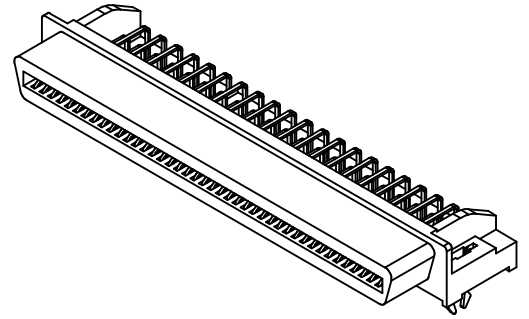
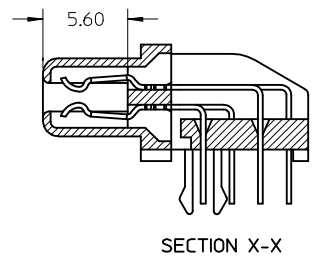
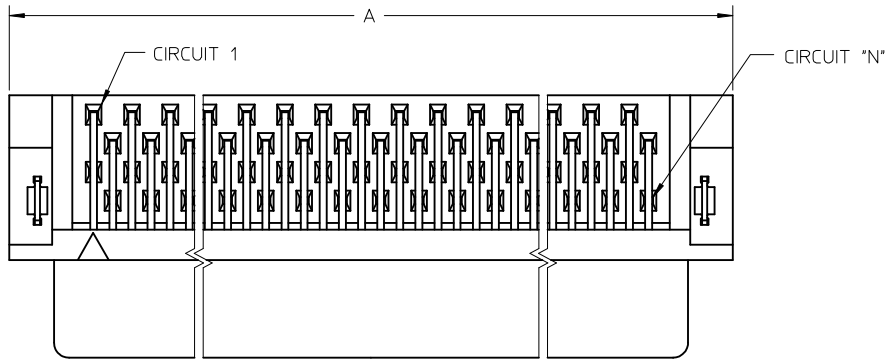


ASSEMBLY P/N	CKT SIZE	A	B	C	D
87552-1580	80	60.75	49.53	56.93	55.07



- NOTES:
- MATERIAL:
HOUSING : HIGH TEMPERATURE THERMOPLASTIC, UL 94-V0
TERMINAL AND FORKLOCK : COPPER ALLOY
 - PLATING:
TERMINAL: 0.38µM MIN. GOLD ON CONTACT AREA AND
2.54µM MIN. TIN ON SOLDER TAIL AREA,
BOTH OVER 1.27µM MIN. NICKEL.
FORKLOCK: 2.54µM MIN TIN OVER 1.25µM MIN. NICKEL.
- △ MOLEX LOGO, CAVITY AND PART NUMBER LOCATED APPROXIMATELY AS SHOWN
- ASSEMBLY MATES WITH MOLEX P/N 71661-****.
 - RECOMMENDED PCB THICKNESS IS 1.60MM.
 - PRODUCT SPECIFICATION PS-87552-006 APPLIES

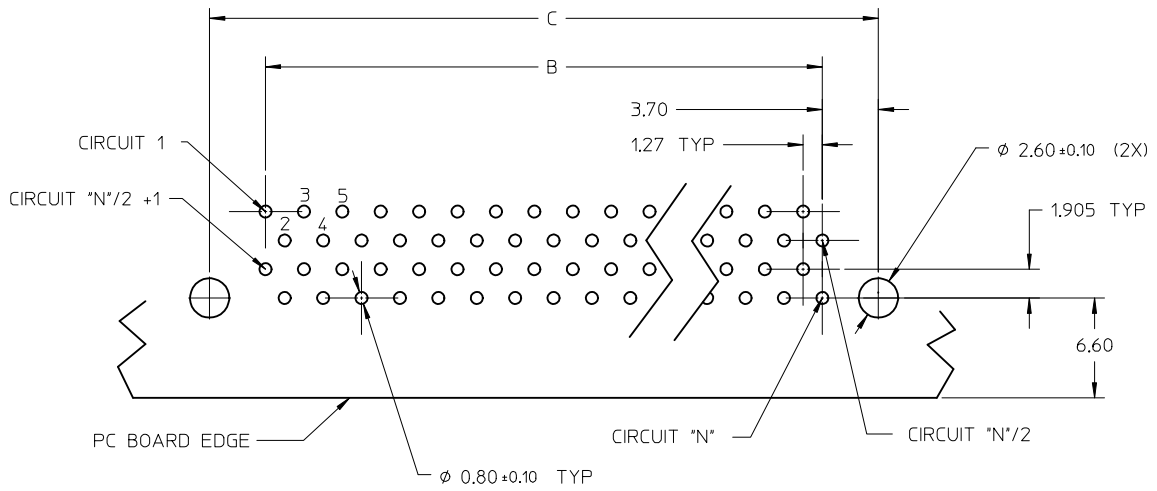
REVISED	EC NO: S2007-1023	2007/05/23	QUALITY SYMBOLS
	DRWN:SKANG	2007/05/23	
A1	CHKD:ATSEE	2007/05/23	▽=0
	APPR:MLONG	2007/05/23	∇=0

DRAFT WHERE APPLICABLE MUST REMAIN WITHIN DIMENSIONS	GENERAL TOLERANCES (UNLESS SPECIFIED)	
	mm	INCH
	4 PLACES	± --- ± ---
	3 PLACES	± --- ± ---
	2 PLACES	± 0.3 ± ---
	1 PLACE	± --- ± ---
	ANGULAR ± 3 °	

DIMENSION STYLE		SCALE	DESIGN UNITS	THIRD ANGLE PROJECTION
MM ONLY		NTS	METRIC	
DRAWN BY	DATE	TITLE		
ANG	2005/04/15	EBBI, 1.27MM PITCH RECEPTACLE, R/A		
CHECKED BY	DATE			
KCL ING	2005/05/05			
APPROVED BY	DATE			
SKTOH	2005/05/06			
MATERIAL NO.	DOCUMENT NO.			
SEE TABLE	SD-87552-012			
SIZE	THIS DRAWING CONTAINS INFORMATION THAT IS PROPRIETARY TO MOLEX INCORPORATED AND SHOULD NOT BE USED WITHOUT WRITTEN PERMISSION			
A3				

MOLEX INCORPORATED		SHEET NO.
		1 OF 2

10 9 8 7 6 5 4 3 2 1



RECOMMENDED PCB LAYOUT
COMPONENT SIDE

REVISED EC NO: S2007-1023 DRWN:SKANG 2007/05/23 CHKD:ATSEE 2007/05/23 APPR:MLONG 2007/05/23	DESCRIPTION A1	QUALITY SYMBOLS $\blacktriangledown = 0$ $\triangleleft = 0$	GENERAL TOLERANCES (UNLESS SPECIFIED)		DIMENSION STYLE MM ONLY	SCALE NTS	DESIGN UNITS METRIC	THIRD ANGLE PROJECTION			
								TITLE			
									EBB1, 1.27MM PITCH RECEPTACLE, R/A		
									MOLEX INCORPORATED		
								DOCUMENT NO.		SHEET NO.	
								SD-87552-012		2 OF 2	
								THIS DRAWING CONTAINS INFORMATION THAT IS PROPRIETARY TO MOLEX INCORPORATED AND SHOULD NOT BE USED WITHOUT WRITTEN PERMISSION			

9 8 7 6 5 4 3 2 1