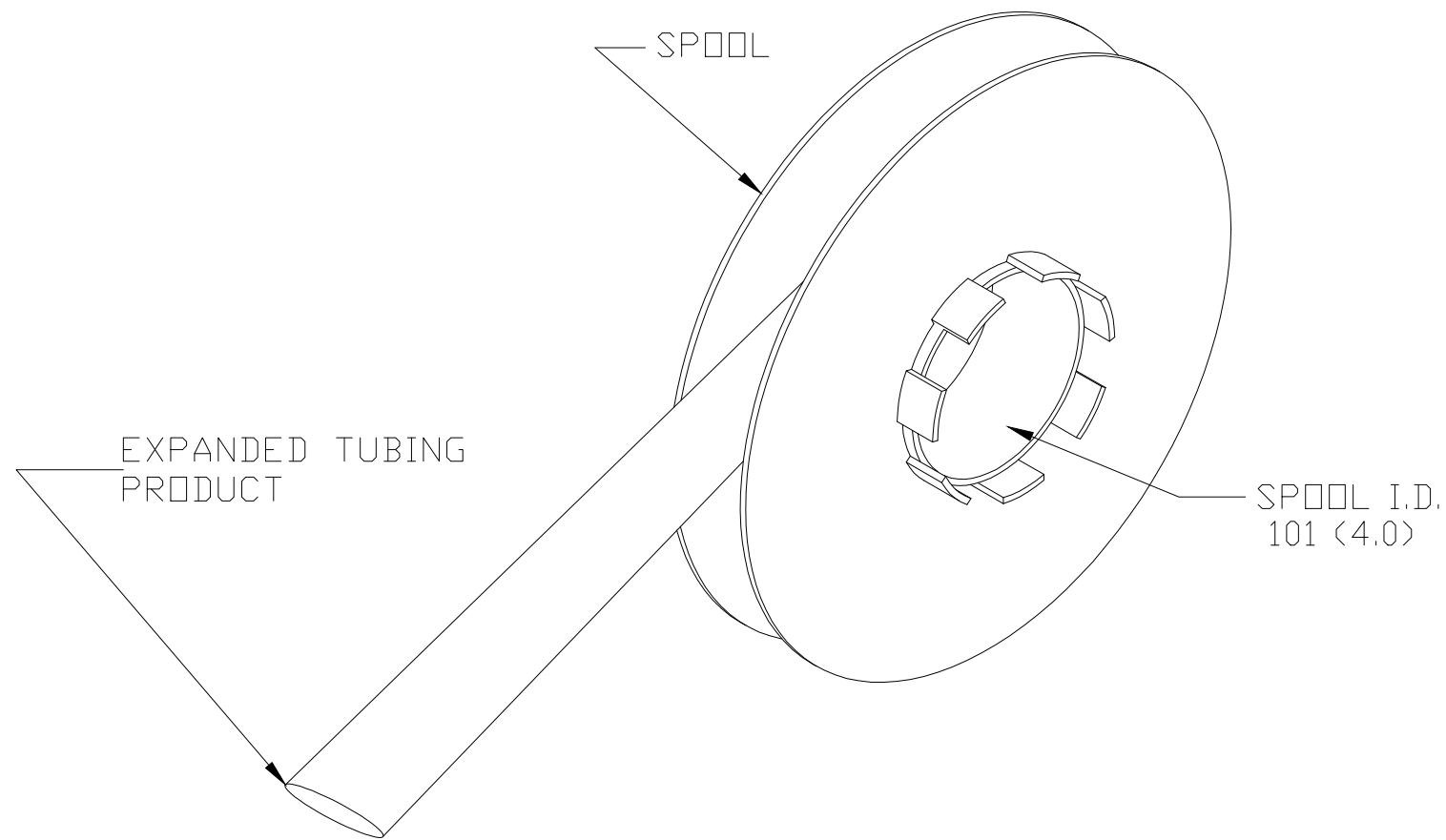
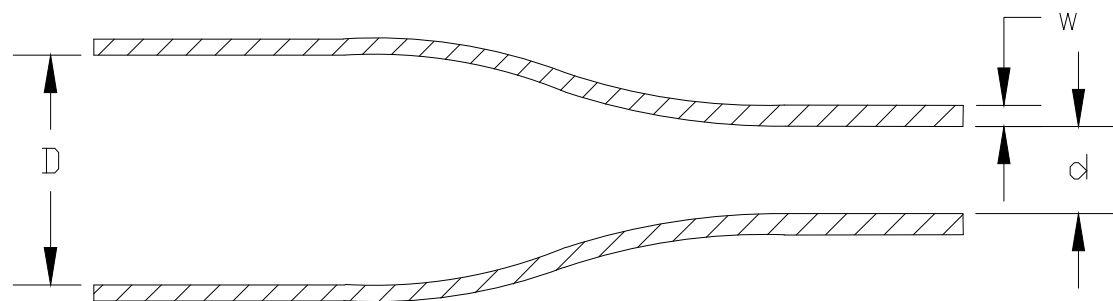
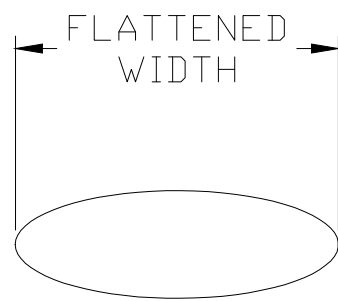


THIS DRAWING IS UNPUBLISHED. RELEASED FOR PUBLICATION
 © COPYRIGHT 2020 TE Connectivity Ltd. ALL RIGHTS RESERVED.

REVISIONS					
P	LTR	DESCRIPTION	DATE	DWN	APVD
2		INITIAL CUSTOMER DRAWING	20JAN2020	AFK	LS



Product Size	3.2	4.8	6.4	9.5	12.7	19.0	25.4	38.1
"D" Minimum Supplied I.D.	3.18 (.125)	4.75 (.187)	6.35 (.250)	9.5 (.374)	12.7 (.500)	19.05 (.750)	25.4 (1.00)	38.1 (1.50)
"d" Maximum Recovered I.D.	1.07 (.042)	1.57 (.062)	2.11 (.083)	3.18 (.125)	4.22 (.166)	6.35 (.250)	8.46 (.333)	19.05 (.750)
"w" Recovered Wall Thickness ±0.08 (.003)	0.58 (.023)	0.58 (.023)	0.58 (.023)	0.61 (.024)	0.61 (.024)	0.61 (.024)	0.64 (.025)	0.51 (.020)
Minimum Sleeve Flattened Width	5.84 (.229)	8.00 (.315)	10.7 (.419)	15.5 (.610)	20.4 (.803)	30.5 (1.201)	40.4 (1.591)	60.3 (2.374)

NOTES:

1. ALL DIMENSIONS ARE IN MILLIMETERS (inches).

THIS DRAWING IS A CONTROLLED DOCUMENT.		DWN AFK 09JAN2020	TE Connectivity		
DIMENSIONS: mm		CHK -			
TOLERANCES UNLESS OTHERWISE SPECIFIED:		APVD LS 20JAN2020	PRODUCT SPEC RW-2510		
0 PLC ± - 1 PLC ± - 2 PLC ± - 3 PLC ± - 4 PLC ± - ANGLES ± -		APPLICATION SPEC -	SIZE A3	CAGE CODE 0198G	DRAWING NO C-MCD170012
MATERIAL CROSSLINKED POLYOLEFIN		FINISH -	WEIGHT VARIOUS	RESTRICTED TO -	
CUSTOMER DRAWING			SCALE -	SHEET 1 OF 1	REV 2