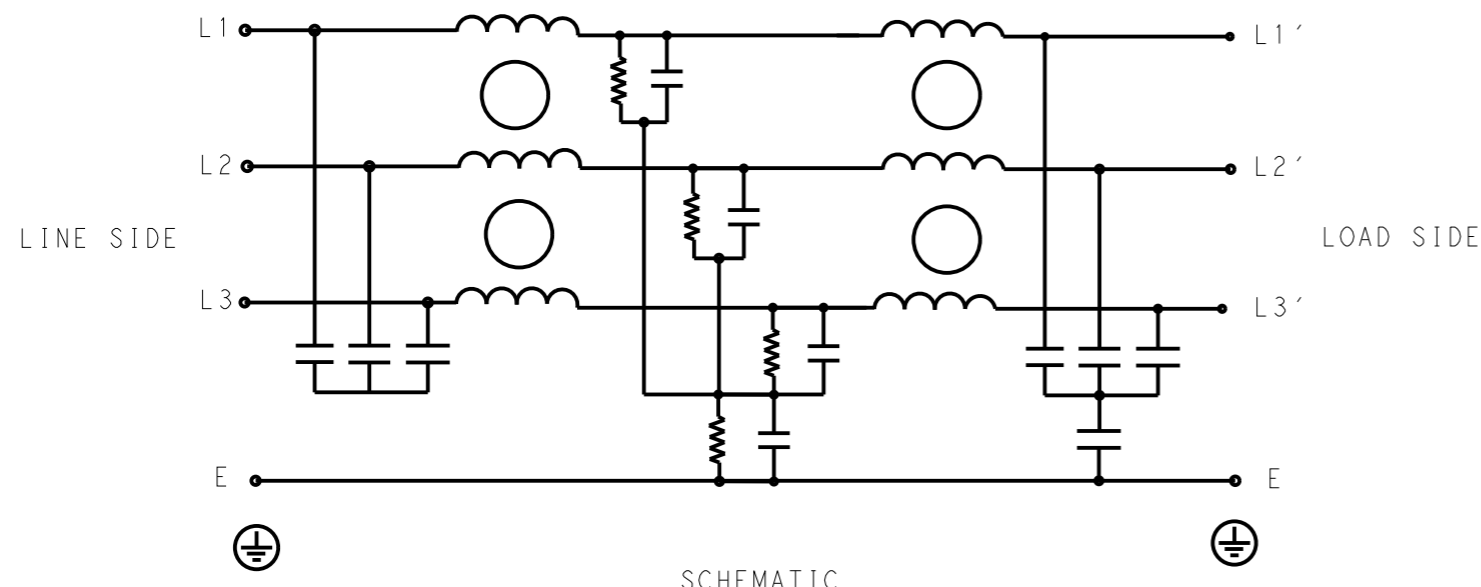


P	LTR	DESCRIPTION	DATE	DWN	APVD
	A	INITIAL RELEASE	23APR2021	SR	CB



SCHEMATIC

SAFETY ORGANIZATIONS

THIS FILTER WILL BE FORMALLY RECOGNIZED, CERTIFIED OR APPROVED BY THE LISTED AGENCY. THEREFORE, ALL TEST/REQUIREMENTS SPECIFIED IN THE LATEST REVISION OF THE FOLLOWING AGENCY STANDARDS WILL BE MET:

UL APPROVED 16A 520V 50Hz/60Hz 40°C
 CSA APPROVED 16A 520V 50Hz/60Hz 40°C

OPERATING SPECIFICATION

LINE CURRENT/VOLTAGE: 16A, 520VAC
 LINE FREQUENCY: 50/60Hz

MAXIMUM LEAKAGE CURRENT: 10mA @ 230VAC, 50Hz

OPERATING AMBIENT TEMPERATURE RANGE @ RATED CURRENT: -25°C TO +40°C

IN AN AMBIENT, T_a, HIGHER THAN 40°C, THE MAXIMUM OPERATING CURRENT, I_o, IS AS FOLLOWS:

$$I_o = I_r \sqrt{\frac{85 - T_a}{45}}$$

RELIABILITY SPECIFICATIONS

STORAGE TEMPERATURE: -40°C TO +85°C
 HUMIDITY: 21 DAYS @ 40°C AND 95% RH

TEST SPECIFICATIONS

INDUCTANCE, NOMINAL: 8mH

CAPACITANCE @ 1kHz
 LINE TO GROUND, NOMINAL: 0.66µF
 LINE TO LINE, NOMINAL: 1.5µF

DISCHARGE RESISTOR

L/L I.R. 3MΩ 1W
 L/N I.R. XXX
 L/G I.R. 680KΩ 1W
 N/G I.R. XXX
 IR (NO DISCHARGE RESISTOR) 20°C, 50% RH AND 100VDC, MIN: 6MΩ

RECOMMENDED RECEIVING INSPECITON HIPOT

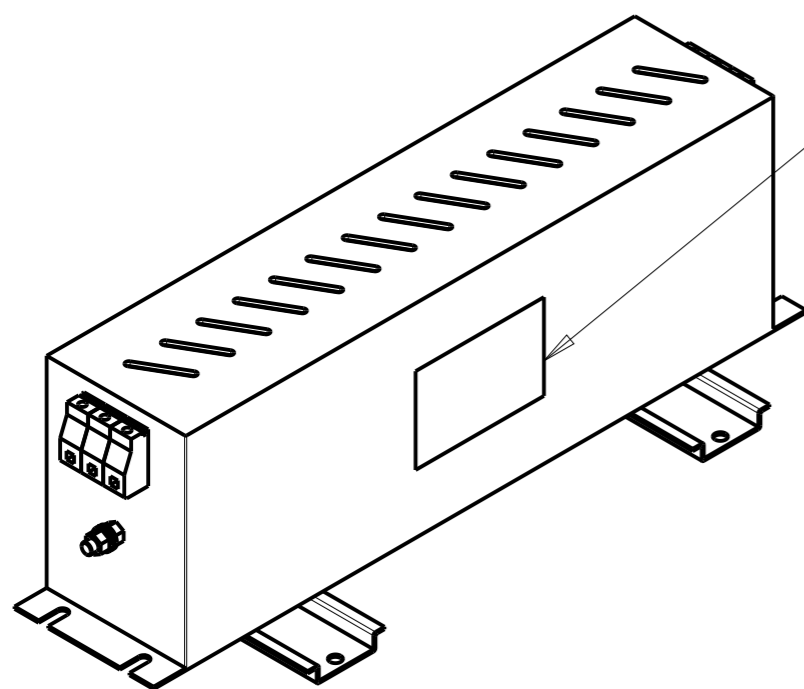
LINE TO GROUND FOR 1 MINUTE: 2856VDC
 LINE TO LINE FOR 1 MINUTE: 2236VDC

FILTER APPROVAL

THE BEST WAY TO SELECT AND QUALIFY A FILTER IS FOR YOUR ENGINEERING TO TEST THE UNIT IN YOUR EQUIPMENT.

TYPICAL INSERTION LOSS
 COMMON MODE 50/50Ω; DIFFERENTIAL MODE 50/50Ω

MHz	0.01	0.05	0.15	0.5	1	3	5	10	30
CM	73	70	76	81	78	70	52	48	19
DM	30	45	33	47	49	65	50	22	65



LABEL TO TE MARKING SPECIFICATION

THIS DRAWING IS A CONTROLLED DOCUMENT.		DWN SUPREETH R 23APR2021		
		CHK CHRIS BOLLE 23APR2021		
		APVD CHRIS BOLLE 23APR2021	NAME POWER LINE FILTER FOR DIN RAIL 35 INSTALLATION 16KEHD10BBSVDM	
DIMENSIONS: mm		TOLERANCES UNLESS OTHERWISE SPECIFIED:		SIZE A300779
		0 PLC ±- 1 PLC ±0.5 2 PLC ±0.40 3 PLC ±0.130 4 PLC ±0.0500 ANGLES ±-		CAGE CODE C-6-1609969-4
MATERIAL -		FINISH -		DRAWING NO. -
				RESTRICTED TO -
		WEIGHT -		SCALE 2:5
		CUSTOMER DRAWING		SHEET 1 OF 2
				REV A

© 2021 TE Connectivity. All Rights Reserved.

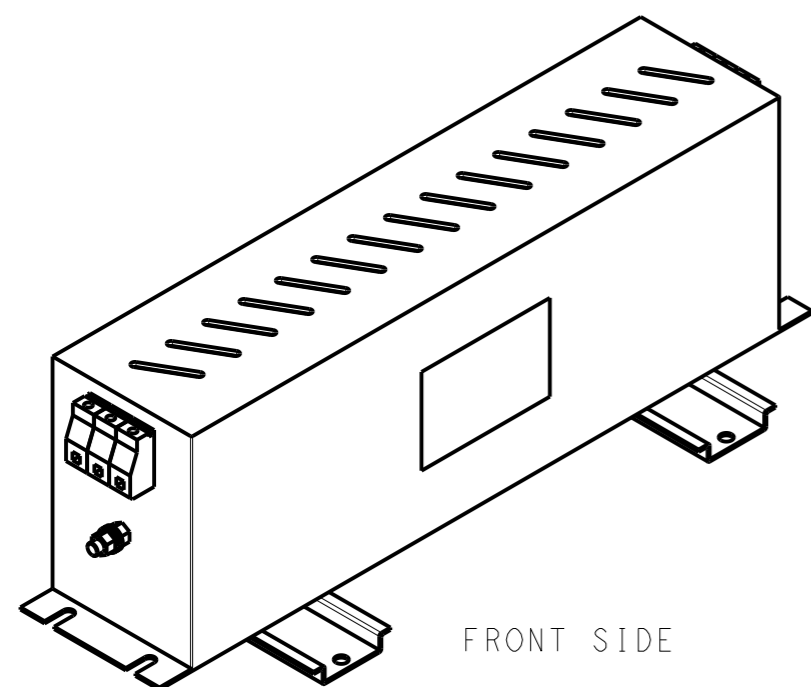
NOTE 1 GROUND CONNECTION:
 FOR ELECTRICAL SAFETY AND FILTER PERFORMANCE
 UNIT MUST HAVE A GOOD GROUND CONNECTION.
 TORQUE OUTER TERMINAL SCREWS: 0.5Nm / 4.5 in.lbs
 TORQUE GROUND NUTS: 2Nm

NOTE 2 INPUT OUTPUT CONNECTION TERMINAL
 AWG SIZE: 26-12 AWG
 WIRE SECTION: 4mm²
 THREADED BOLT SIZE FOR GROUND: M5

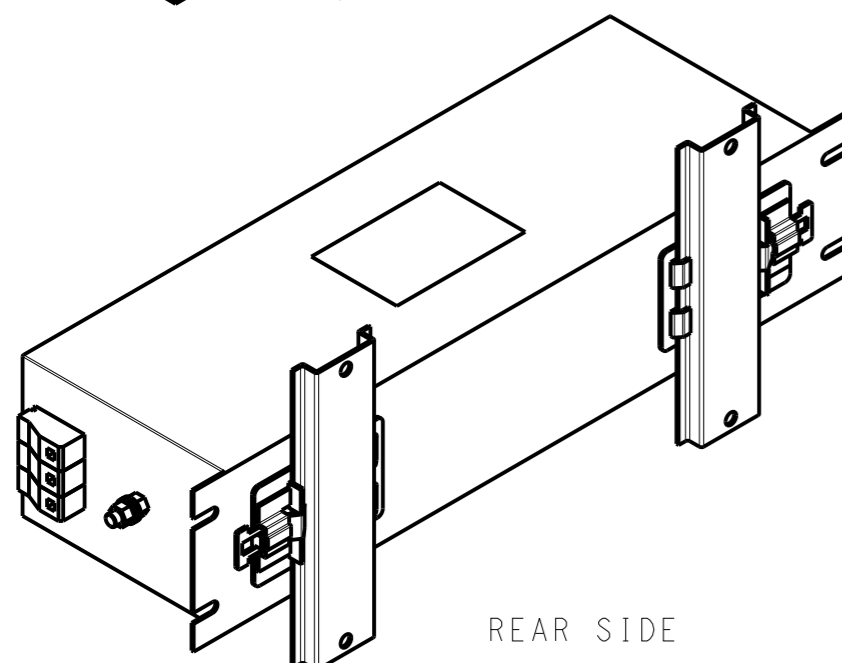
NOTE 3 SUPPLIED WITH DIN RAIL BRACKET.

NOTE 4 DRAWING SHOWS DIN RAIL FOR REFERENCE ONLY.

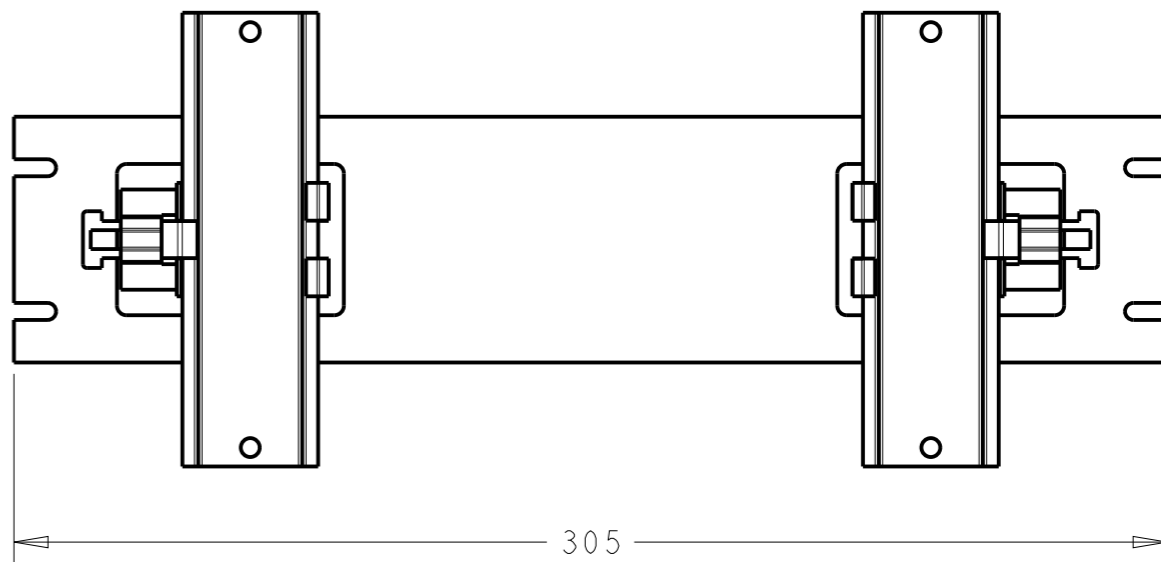
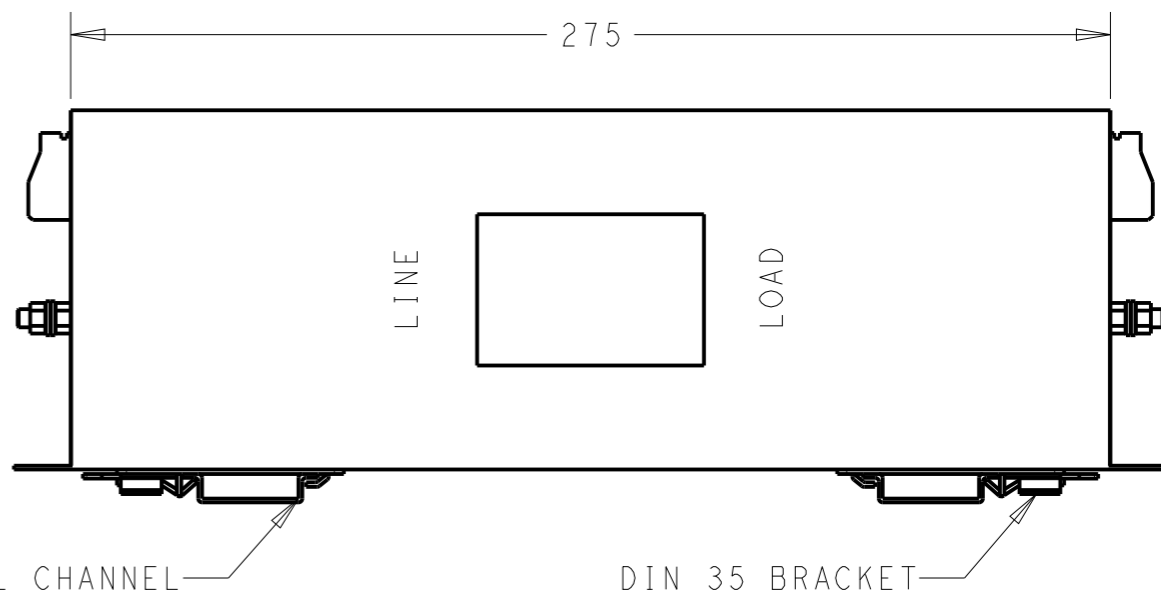
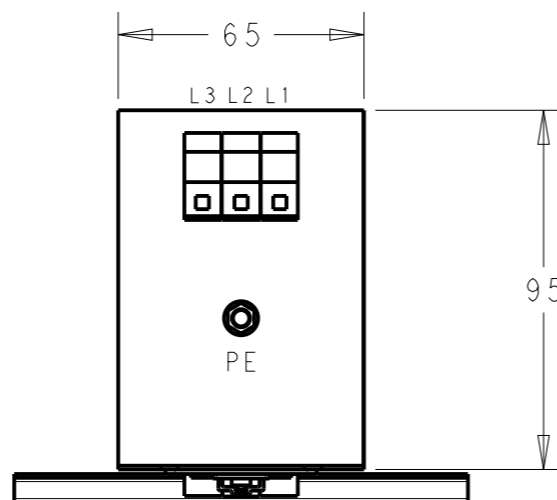
REVISIONS					
P	LTR	DESCRIPTION	DATE	DWN	APVD
		SEE SHEET 1			



FRONT SIDE



REAR SIDE



THIS DRAWING IS A CONTROLLED DOCUMENT.		DWN SUPREETH R 23APR2021		
		CHK CHRIS BOLLE 23APR2021		
		APVD CHRIS BOLLE 23APR2021	NAME POWER LINE FILTER FOR DIN RAIL 35 INSTALLATION 16KEHD10BBSVDM	
DIMENSIONS: mm		PRODUCT SPEC -	SIZE A300779 CAGE CODE G-6-1609969-4	
TOLERANCES UNLESS OTHERWISE SPECIFIED:		APPLICATION SPEC -	DRAWING NO C-6-1609969-4	
0 PLC ±-		WEIGHT -	RESTRICTED TO -	
1 PLC ±0.5				
2 PLC ±0.40				
3 PLC ±0.130				
4 PLC ±0.0500				
ANGLES ±-				
MATERIAL -	FINISH -	SCALE 1:2 SHEET 2 OF 2 REV A		
		CUSTOMER DRAWING		