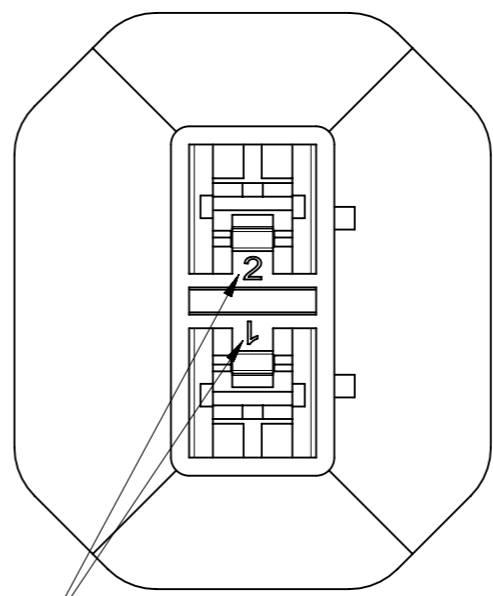
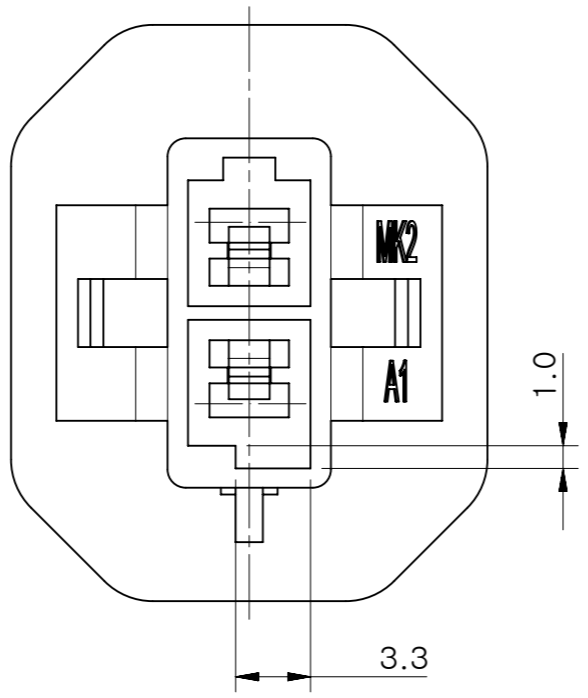
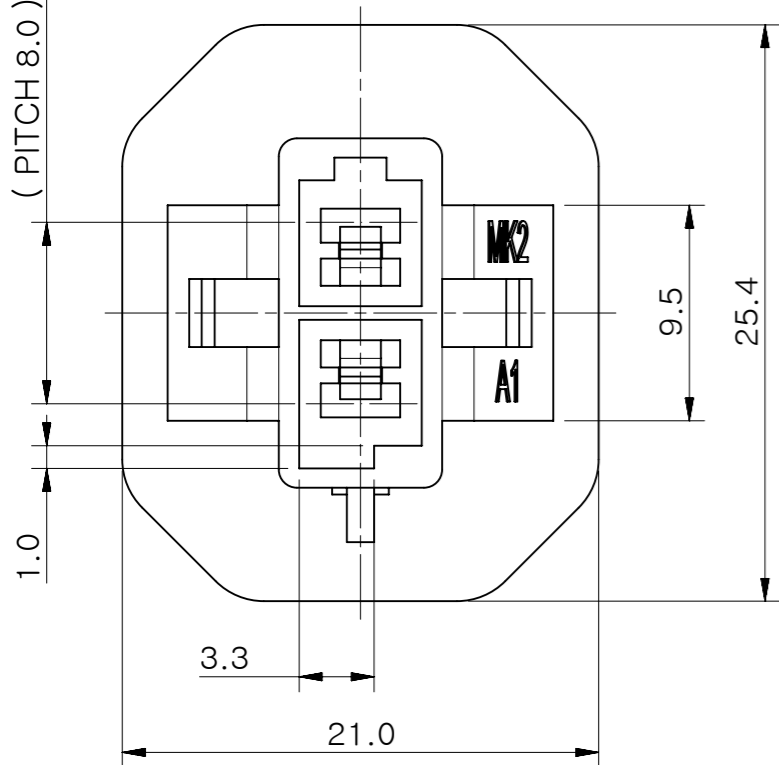


[TYPE-A]
35180-0209

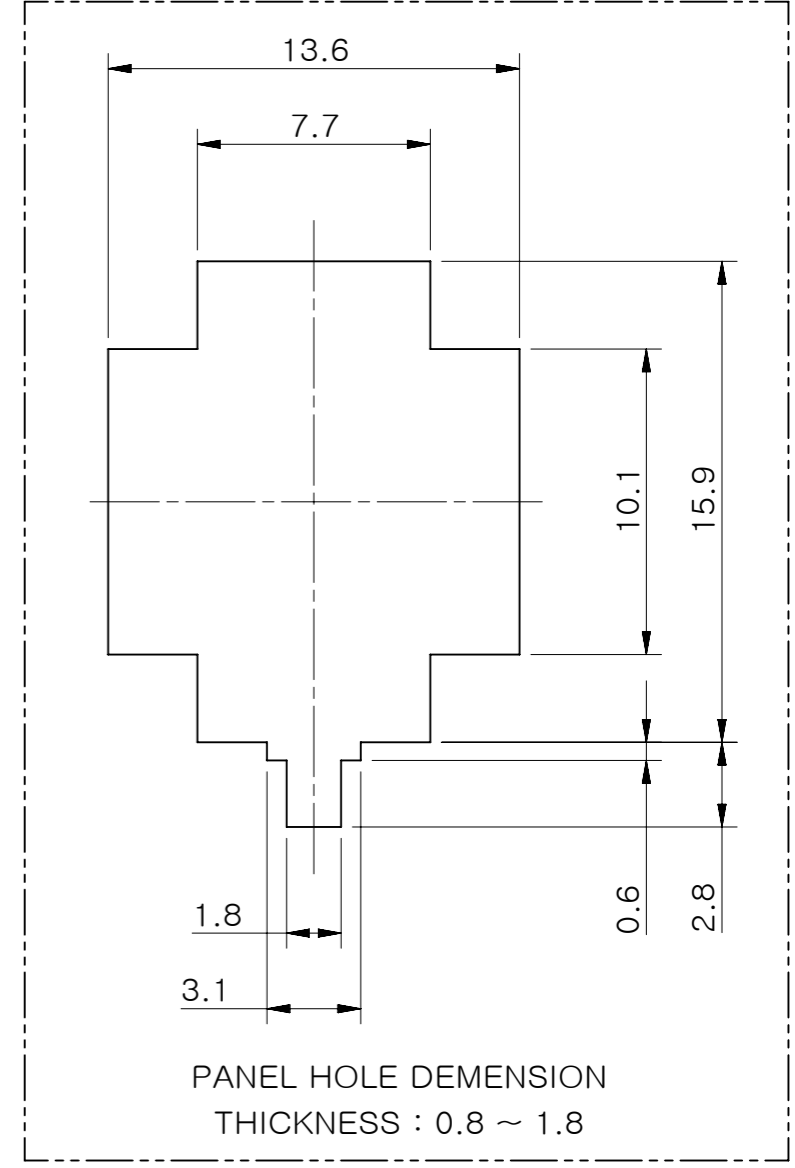
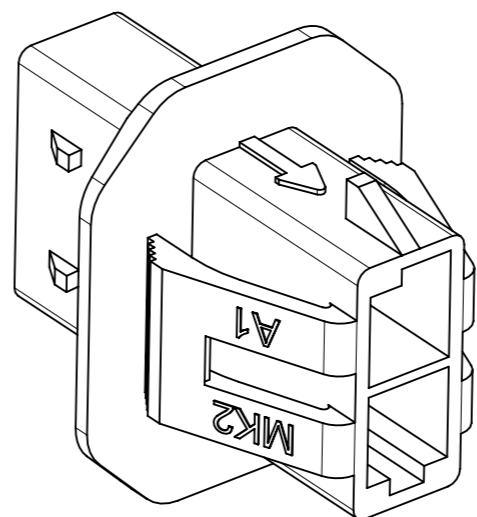
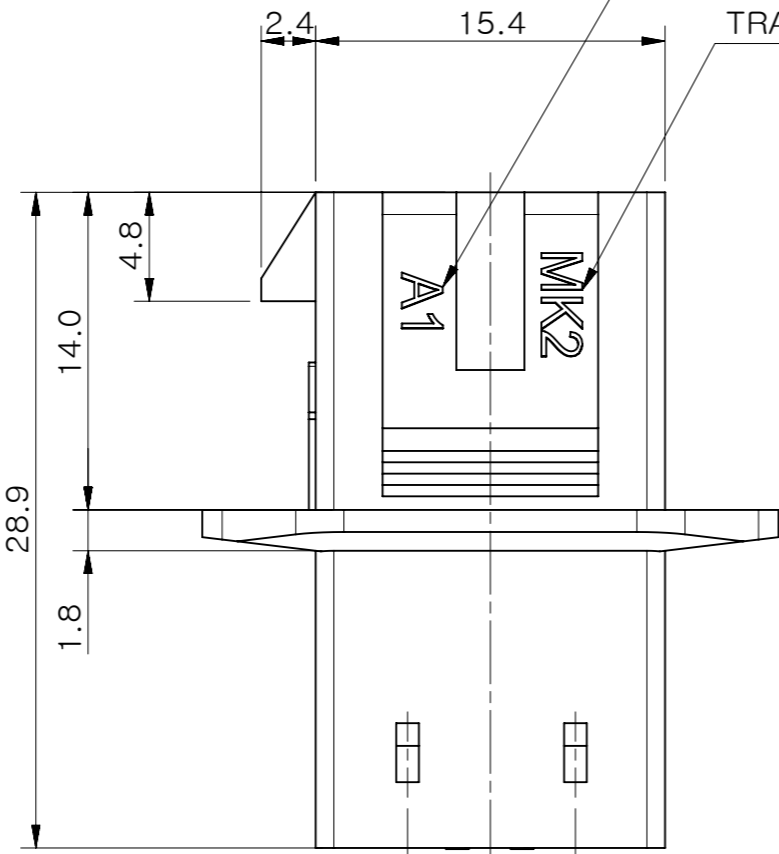
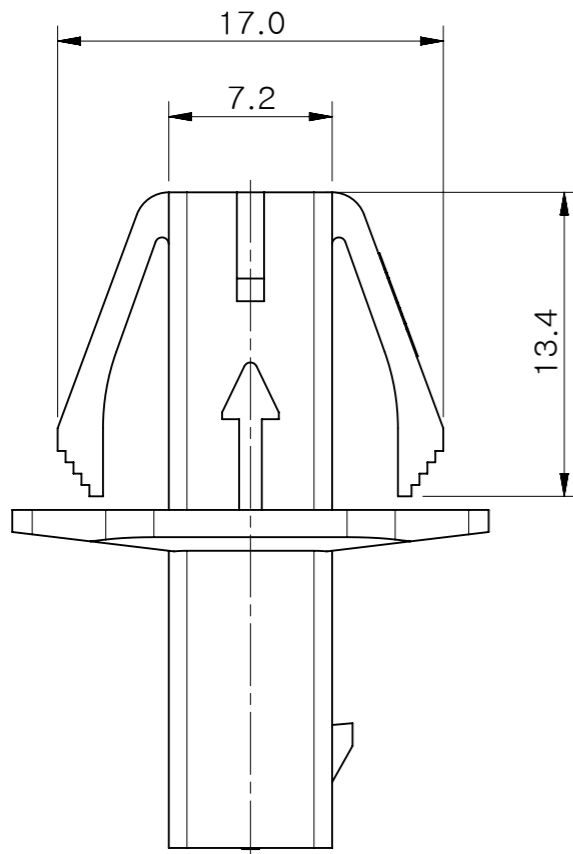
[TYPE-C]
35180-0229

- NOTES.
1. MATERIAL & COLOR : SEE TABLE
 2. MATED HOUSING : SEE TABLE
 3. APPLICABLE TERMINAL : 35745 -0*10
 4. APPLICABLE TPA : 35965-029*
 5. PRODUCT SPECIFICATION : 351800200PS
 6. PACKAGE SPECIFICATION : 351800200SPK



CIRCUIT NO.
VIEW "A"

CAVITY NO. (A1,A2,...)



PANEL HOLE DEMENSION
THICKNESS : 0.8 ~ 1.8

VIEW "A"

NO.	MATERIAL NO.	COLOR	DESCRIPTION	MATED HOUSING
1	351800209 (TYPE-A)	NATURAL	PC/PET (UL94V-0, UNFILLED G/F)	35965-920* (TYPE-A)
2	351800229 (TYPE-C)	NATURAL		35965-922* (TYPE-C)
				204102-0209
			204102-0219	

FUNCTIONAL SYMBOLS	THIS DRAWING CONTAINS INFORMATION THAT IS PROPRIETARY TO MOLEX ELECTRONIC TECHNOLOGIES, LLC AND SHOULD NOT BE USED WITHOUT WRITTEN PERMISSION	CURRENT REV DESC:		molex
	DIMENSION UNITS: mm SCALE: 3:1 GENERAL TOLERANCES (UNLESS SPECIFIED) ANGULAR TOL ± ° 4 PLACES ± 3 PLACES ± 2 PLACES ± 0.25 1 PLACE ± 0.3 0 PLACES ± 0.3 DRAFT WHERE APPLICABLE MUST REMAIN WITHIN DIMENSIONS	EC NO: 681214 DRWN: JDPARK01 CHK'D: SCHONG03 APPR: JBJIN INITIAL REVISION: DRWN: JDPARK01 APPR: JBJIN	2021/01/04 2021/10/15 2021/10/18 2021/01/04 2021/10/18	
DIVISIONAL SYMBOLS	THIRD ANGLE PROJECTION	DRAWING	SERIES	DOCUMENT NUMBER
		A3-SIZE	35180	351800200
				DOC TYPE DOC PART REVISION
				PSD 000 A
				MATERIAL NUMBER CUSTOMER SHEET NUMBER
				1 OF 1