

THIS DRAWING IS UNPUBLISHED.

RELEASED FOR PUBLICATION

ALL RIGHTS RESERVED.

© COPYRIGHT - By -

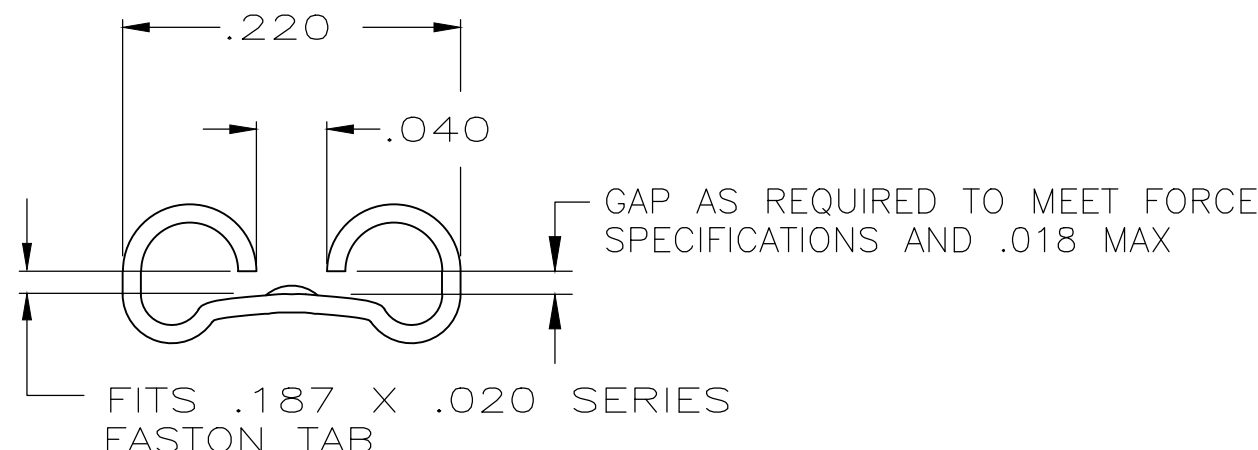
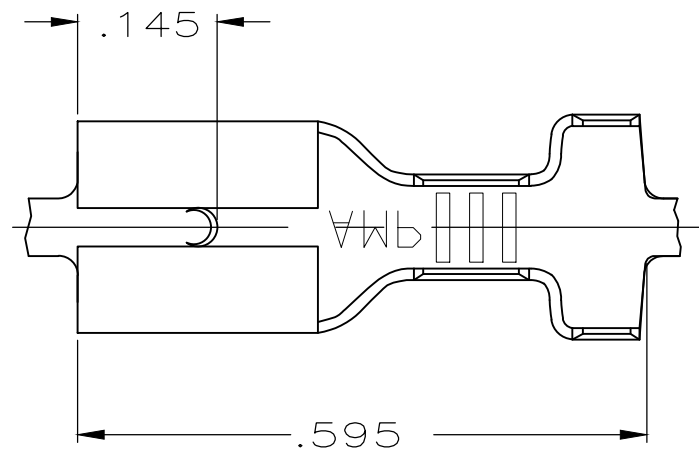
LOC AF DIST 50

REVISIONS

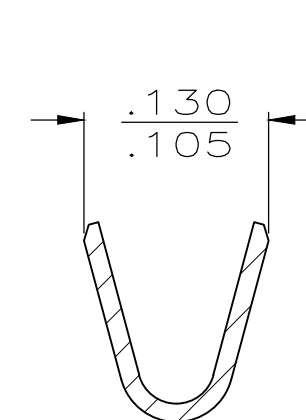
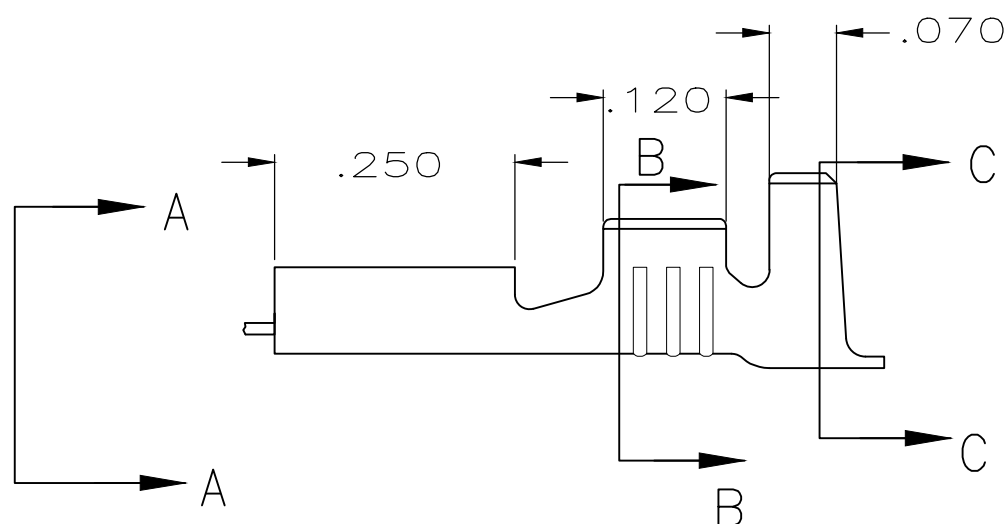
P	LTR	DESCRIPTION	DATE	DWN	APVD
	D3	REVISED PER ECR-20-009164	7AUG2020	MK	DH

1 CONTINUOUS STRIP ON REELS.

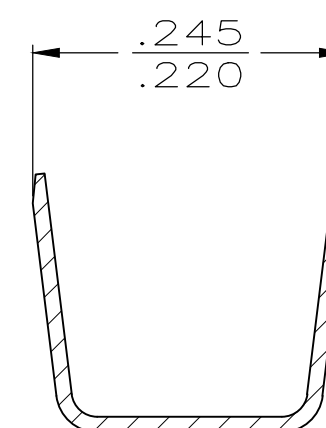
2 63470-2 REFERS TO 63470-1 WITH PAPER INTER LAYER



VIEW A-A



SECTION B-B



SECTION C-C

.105-.210 OR (2).105 MAX	18-16 OR (2) #18	.021-.019	2 63470-2 63470-1
INSULATION RANGE	WIRE SIZE	TAB THK	PART NO.

THIS DRAWING IS A CONTROLLED DOCUMENT.		DWN JR RUTH 7/15/87	STE TE Connectivity	
DIMENSIONS: INCHES		CHK G YETTER 7/16/87		
TOLERANCES UNLESS OTHERWISE SPECIFIED:		APVD C MEYERS 7/17/87	NAME RECEPTACLE, FASTON,™ .187 SERIES	
0 PLC ± -		PRODUCT SPEC -	SIZE CAGE CODE DRAWING NO RESTRICTED TO	
1 PLC ± -		APPLICATION SPEC -	A3 00779 C-63470	
2 PLC ± -		WEIGHT -	SCALE NTS SHEET 1 OF 1 REV D3	
3 PLC ± .010		CUSTOMER DRAWING		
4 PLC ± -				
ANGLES ± -				
FINISH -				
MATERIAL BRASS				