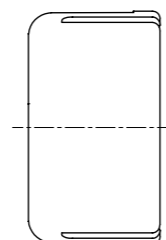
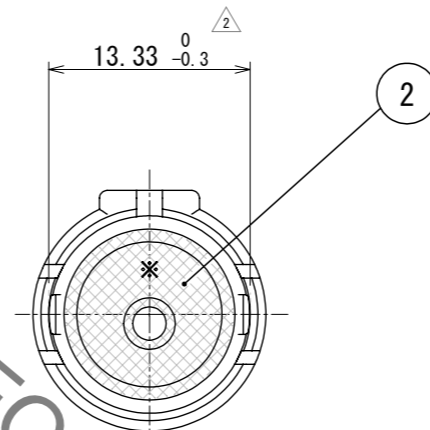
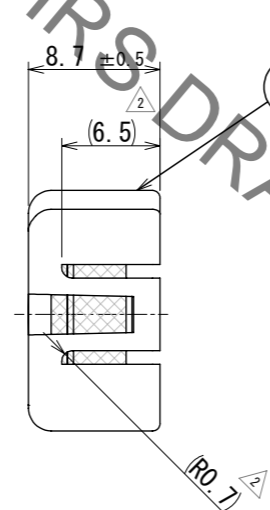
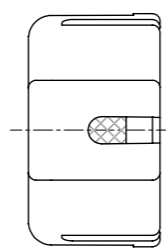
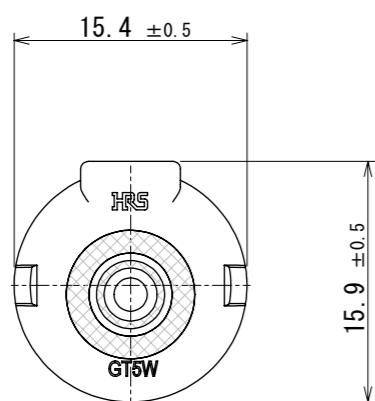


May.1.2023 Copyright 2023 HIROSE ELECTRIC CO., LTD. All Rights Reserved.
 In case of consideration for using Automotive equipment / device which demand high reliability, kindly contact our sales window correspondents.



HRS DRAWING FOR REFERENCE

Note.1 : Applicable cable dia. :From $\phi 2.9$ to $\phi 3.4$

1	PBT-M	DARK GRAY	2	SILICONE RUBBUR	LIGHT BLUE
NO.	MATERIAL	FINISH , REMARKS	NO.	MATERIAL	FINISH , REMARKS
UNITS mm		SCALE 2:1	COUNT 3	DESCRIPTION OF REVISIONS DIS-T-00015052	
APPROVED : KS. SATOH 2005. 01. 05			DESIGNED	CHECKED	DATE
CHECKED : NH. NAKATA 2005. 01. 05			TY. OZAKI	KT. MAKI	2022. 12. 14
DESIGNED : TS. KUBOTA 2005. 01. 05			DRAWING NO. EDC-165088-00-00		
DRAWN : MO. OKADA 2005. 01. 05			PART NO. GT5W-1P/S-R		
HRS HIROSE ELECTRIC CO., LTD.			CODE NO. CL0755-0028-5-00		
					1/1