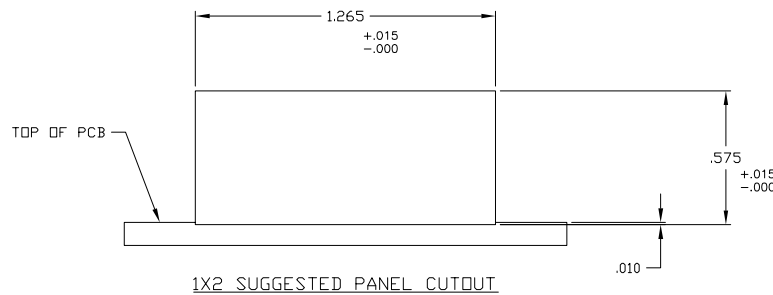
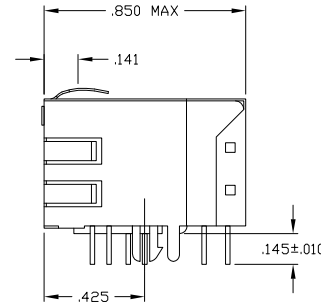
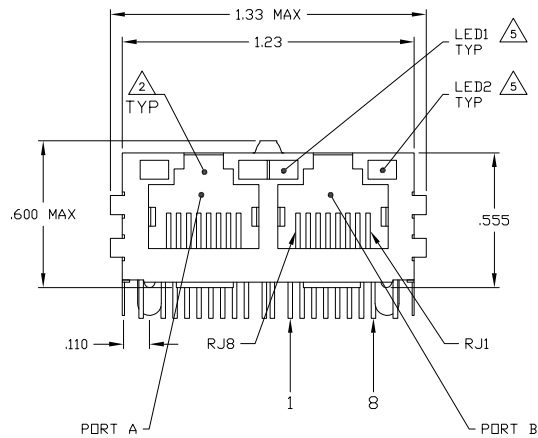
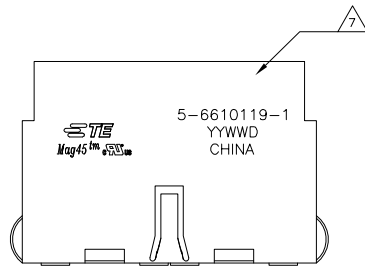


LOC	DIST	REV	PER	ECO	DATE	BY	APP
AA	22	C	REV PER	ECO-09-021794	29SEP2009	VL	LR
		C1	REVISED PER	ECO-09-024927	11NOV09	KK	AEG
		D	ECO-11-013357		20MAY2011	EL	LR

MECHANICAL:



- 1 MATERIALS:
  - HOUSING - THERMOPLASTIC PET POLYESTER FLAMMABILITY RATING UL 94V-0.
  - SHIELD - 0.010" THICK, C26800 BRASS PREPLATED WITH 30μINCH MIN SEMI-BRIGHT NICKEL. SOLDER TABS POST DIPPED WITH 100μINCH MIN SAC SOLDER.
  - MOD JACK CONTACTS - 0.0157" X 0.018" PHOSPHOR BRONZE, 50μINCH MIN OVERALL NICKEL UNDERPLATE WITH SELECT 50μINCH MIN HARD GOLD FINISH PLATE.
  - SOLDER TAILS WITH 100μINCH MIN MATTE TIN AND/OR SAC SOLDER DIP.
  - LIGHT EMITTING DIODE(LED) - DIFFUSED EPOXY LENS, 0.20" X 0.20" CARBON STEEL WIREFRAME LEADS PRE-PLATED WITH 80μINCH SILVER OVER 40μINCH NICKEL UNDERPLATE OVER 40μINCH COPPER UNDERPLATE. POST-PLATED WITH 100μIN MIN MATTE TIN AND/OR SAC SOLDER DIP OR PURE TIN SOLDER DIP.
- 2 RJ45 JACK CAVITY CONFORMS TO FCC RULES AND REGULATIONS PART 68, SUB PART F.
- 3 MAGNETICS
  - IMPEDANCE: 100 OHMS
  - TURNS RATIO (CHIP: CABLE): TX = 1:1, RX = 1:1
  - OPEN CIRCUIT INDUCTANCE (OCL): 350μH MIN @100kHz, 0.1VRMS, 8mADC BIAS FROM 0°C TO 70°C, TX AND RX
  - PERFORMANCE @ 25°C:
    - INSERTION LOSS (IL): 1.1dB MAX FROM 0.5MHz TO 100MHz
    - RETURN LOSS (RL): 18dB MIN FROM 0.5MHz TO 30MHz
    - 18-20LOG(I/F)30dB MIN FROM 30.1MHz TO 60MHz
    - 12dB MIN FROM 60.1MHz TO 80MHz
    - CROSSTALK ATTENUATION: 35dB MIN FROM 0.5MHz TO 40MHz
    - 33-20LOG(I/F)50dB MIN FROM 40.1MHz TO 100MHz
    - COMMON MODE REJECTION RATIO (CMRR): 30dB MIN FROM 0.5MHz TO 100MHz
    - ISOLATION VOLTAGE: 2250VDC (MAX) FOR 60 SECONDS WITH A RISE TIME OF 500V/SEC AND WITH ALL PORTS CONNECTED.
- 4. OPERATING TEMPERATURE: FROM 0°C TO +70°C.
- 5 THE 250 OHM LED RESISTORS ARE OPTIONAL, PLEASE SEE CHART FOR PRESENCE OR ABSENCE OF LED RESISTORS. IF THE LED WITHOUT 250 OHM RESISTORS, LED IS DRIVEN WITH CONSTANT CURRENT AT APPROX 20mA LED COLOR:
  - DOMINANT WAVELENGTH (LD): GREEN 568 nm TYP. at IF=20mA
  - FORWARD VOLTAGE (VF): GREEN 2.2V TYP. at IF=20mA
  - DOMINANT WAVELENGTH (LD): YELLOW 588 nm TYP. at IF=20mA
  - FORWARD VOLTAGE (VF): YELLOW 2.1V TYP. at IF=20mA
  - IF THE LED WITH 250 OHM RESISTORS, LED IS DRIVEN WITH 5V VOLTAGE AND THE MAX OPERATING CURRENT IS 20mA LED COLOR:
    - DOMINANT WAVELENGTH (LD): GREEN 568 nm TYP. at VF=5V
    - FORWARD CURRENT (IF): GREEN 12 mA TYP. at VF=5V
    - DOMINANT WAVELENGTH (LD): YELLOW 588 nm TYP. at VF=5V
    - FORWARD CURRENT (IF): YELLOW 13 mA TYP. at VF=5V
- 6 INDICATED CONNECTIONS ARE FOR NIC CONFIGURATION. THE MAGNETICS ARE ASYMMETRICAL AND DO NOT SUPPORT AUTO-MDI/MDIX.
- 7 TE CONNECTIVITY LOGO, PART NUMBER, DATE CODE, COUNTRY OF ORIGIN AND AGENCY APPROVAL MARKING IN APPROXIMATE LOCATION SHOWN.
- 8. THESE PARTS ARE RECOMMENDED FOR WAVE SOLDERING PROCESS, PEAK WAVE SOLDERING TEMPERATURE IS 265°C MAX, 10 SECONDS MAX.
- 9 OBSOLETE PARTS: OBSOLETE CIS STREAMLINING PER D.RENAUD/D.SINISI

OBsolete	NO	GREEN/YELLOW	GREEN/YELLOW	5-6610119-6
	YES	GREEN	YELLOW	5-6610119-1
LED RESISTORS		LED1	LED2	PART NUMBER

THIS DRAWING IS A CONTROLLED DOCUMENT.

DESIGNER: A. FERNANDEZ-RODRIGUEZ	DATE: 17MAY2009	REV: 1
DRAWN: D. FAROLE	DATE: 17MAY2009	REV: 1
CHECKED: D. FAROLE	DATE: 17MAY2009	REV: 1
APPROVED: D. FAROLE	DATE: 17MAY2009	REV: 1

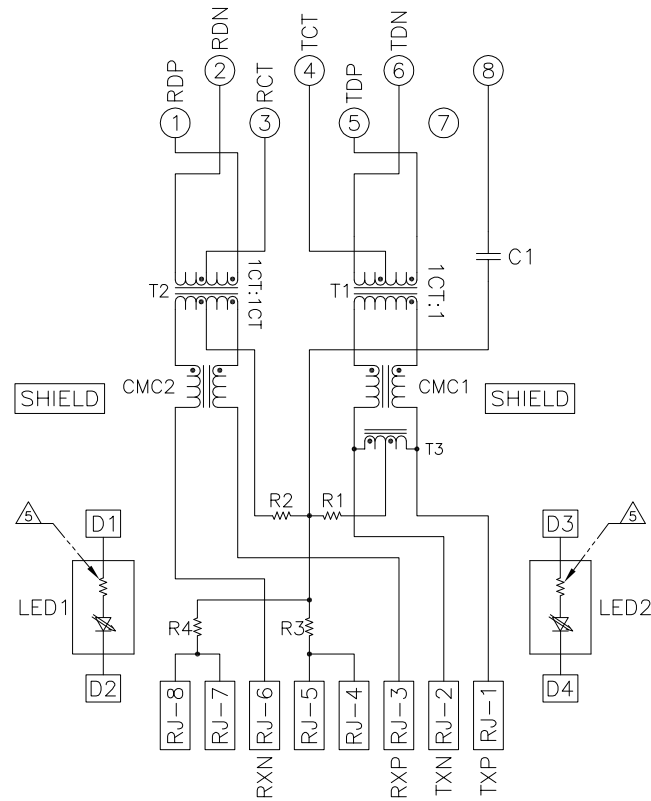
TE Connectivity

1X2 MA645(TM) MODULAR JACK, 7N2 SCHEMATIC, 14 SERIES CIRCUIT, DECOUPLING CAPACITOR, SHIELDED, WITH LEADS.

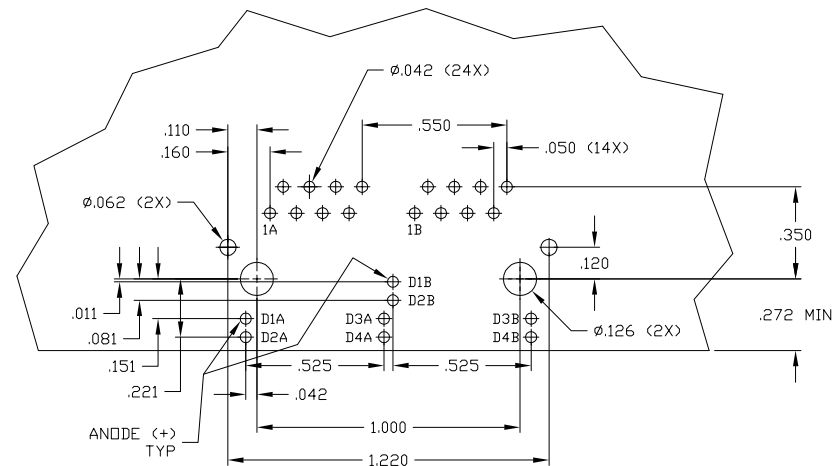
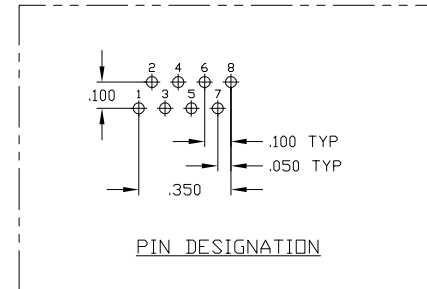
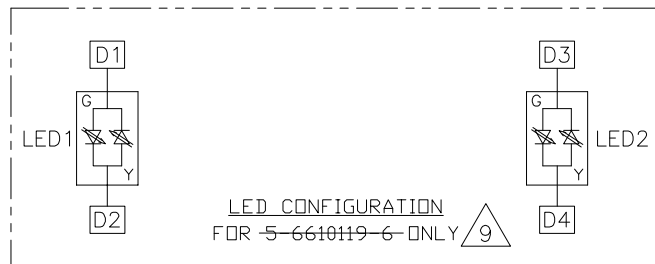
DIMENSIONS: INCHES	TO NUMBER LEADS OR NUMBER PINS:	0 P.C. ± -	1 P.C. ± .010	2 P.C. ± .010	3 P.C. ± .010	4 P.C. ± .010
MATERIAL	FINISH	WEIGHT	SCALE	CAGE CODE	DRAWING NO	RESTRICTED TO
			A1	00779	C=6610119	

CUSTOMER DRAWING SCALE 4:1 SHEET 1 OF 2 REV D

14 SERIES MAGNETIC CIRCUIT  $\triangle 3/6$



C1 = 1000pF, 2kV CAPACITOR  
 R1-R4 = 75 OHMS, 1/16W RESISTORS



THIS DRAWING IS A CONTROLLED DOCUMENT.		REV. A	17MM2005	DATE	17MM2005	BY	A. FERNANDEZ-RODRIGUEZ
DIMENSIONS: INCHES		CH. 0	17MM2005	NAME	17MM2005	APP'D	D. FAROLE
NO DIMENSIONS SPECIFIED:		1	± .010	PRODUCT SPEC	108-2100	APPROV	D. FAROLE
DIMENSIONS: MILLIMETERS		2	± .250	APPLICATION SPEC		SIZE	A1
MATERIAL		3	± .005	WEIGHT		CAGE CODE	00779
FINISH		4	± .005	SCALE	4:1	DRAWING NO	C=6610119
				CUSTOMER DRAWING		SHEET	2 of 2
						REV	D