

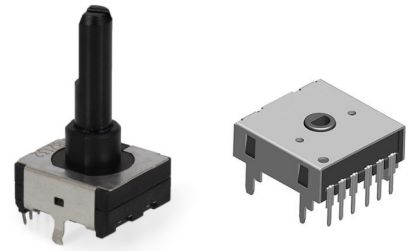
18 mm Absolute Encoder

EN18AB Series



Features:

- Absolute type
- Plastic Shaft
- Horizontal mount
- IP51 and IP67 rated versions



Description:

18 mm encoder is an absolute type encoder, therefore output is maintained after power loss. It is a good fit for various electronic applications such as frequency modulation, volume adjustment, and function switching.

Applications:

- Home Appliances
- Audio Equipment
- Temperature Control

Electrical Characteristics

T_A = 25°C unless otherwise noted

Output	Absolute
Positions (Per Revolution)	16 or 24
Power Rating	12 Vdc / 4 mA
Insulation Resistance	10MΩ 1 Minute at 100 Vdc Max.
Dielectric Strength	1 Minute at 50 Vac
Contact Resistance	100 mΩ maximum

Encoder Characteristics

T_A = 25°C unless otherwise noted

Rotation	360° continuous
Rotational Torque	100-300 gf.cm (EN18ABHH)
	300-700 gf.cm (EN18ABHB)
Detents per Rotation	16 or 24
Rotational Life	30,000 Cycles Min.

18 mm Absolute Encoder

EN18AB Series



Environmental Characteristics

TA = 25°C unless otherwise noted

Operating Temperature	-20°C to +85°C
IP Rating	IP51 (EN18ABHH), IP 67 (EN18ABHB)
Soldering Condition	Wave/Reflow Soldering 260°C maximum for 1-3 seconds Hand Soldering 350°C maximum for 3 seconds
RoHS	Please refer to TT Electronics website
REACH	Please refer to TT Electronics website

Ordering

EN18AB	HH	2	2	H	0	H	0
--------	----	---	---	---	---	---	---

Part Family

Style

HH = Top Adjust, Hollow Shaft
HB = Top Adjust, Plain Bushing

Positions

1 = 16 positions (HB style only)
2 = 24 positions (HH style only)

Detents

1 = 16 (for 16 positions only)
2 = 24 (for 24 positions only)

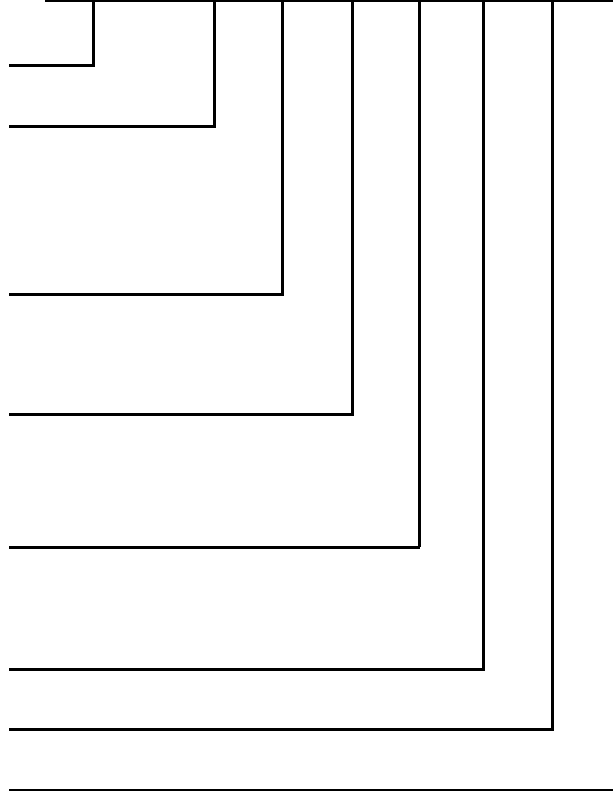
Bushing Length

A = 5 mm (plain bushing only)
H = No Bushing

Start Position - 0

Shaft Type (see Outline Drawings)

Shaft Length (see Outline Drawings)



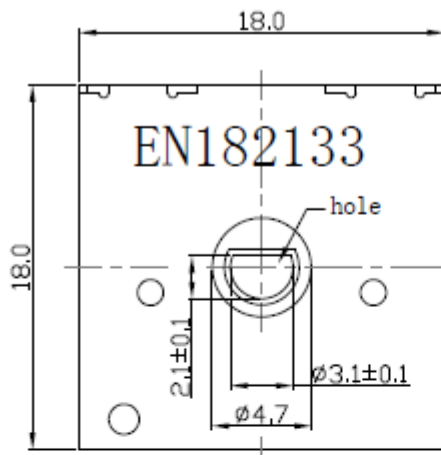
18 mm Absolute Encoder

EN18AB Series

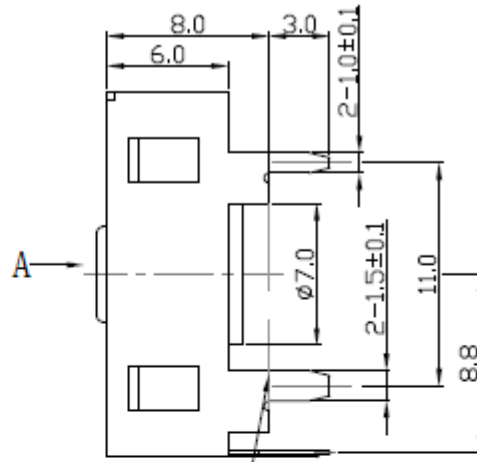


Outline Drawings

EN18ABHH22H0H0 - Top Adjust, Hollow Shaft

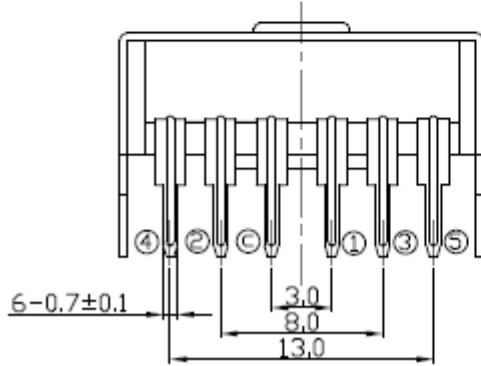


SHAFT SHOWN IN POSITION 1

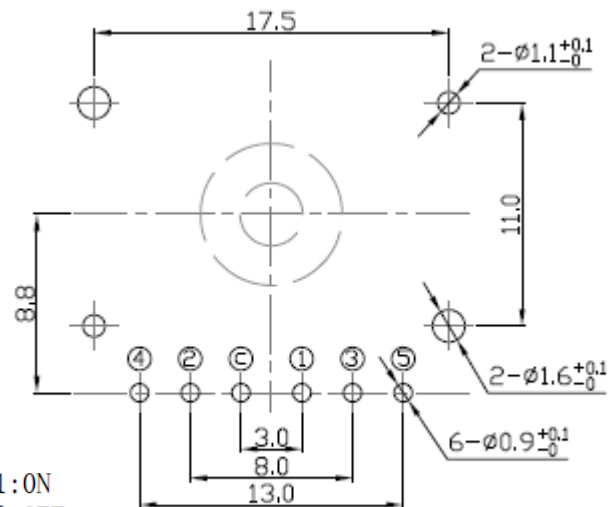


PC board mounting face

Shaft Type = H
Shaft Length = 0



Output Signal Format



P. C. B MOUNTING HOLES

START POSITON → C. W → 1: ON 0: OFF

TERM	POS	1	2	3	4	5	6	7	8	9	10	11	12	13	14	15	16	17	18	19	20	21	22	23	24
①		0	1	1	0	0	1	1	0	0	1	1	0	0	1	1	0	0	1	1	0	0	1	1	0
②		0	0	1	1	1	1	0	0	0	0	1	1	1	0	0	0	0	0	1	1	1	1	0	0
③		0	0	0	0	1	1	1	1	1	1	1	0	0	0	0	0	0	0	0	0	1	1	1	1
④		0	0	0	0	0	0	0	0	1	1	1	1	1	1	1	1	1	1	1	1	1	1	1	1
⑤		0	0	0	0	0	0	0	0	0	0	0	0	0	0	0	0	1	1	1	1	1	1	1	1

viewed from A direction

General Note
TT Electronics reserves the right to make changes in product specification without notice or liability. All information is subject to TT Electronics' own data and is considered accurate at time of going to print.

TT Electronics | BI Technologies
Circulo de la Amistad #102 PIMSA IV Mexicali B.C. Mexico C.P 21210
Ph: + 1 (714) 447-2345
www.ttelectronics.com

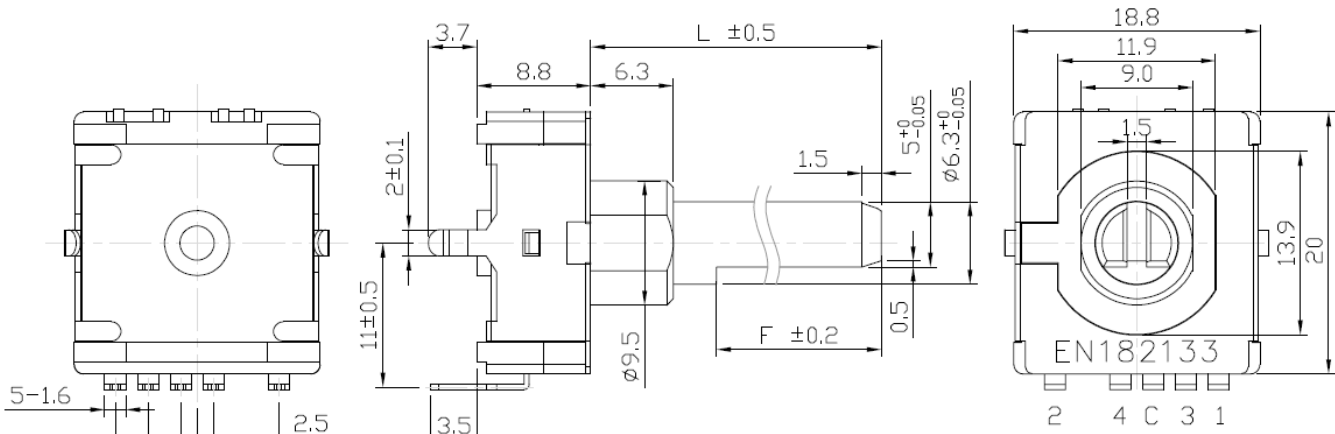
18 mm Absolute Encoder

EN18AB Series



Outline Drawings

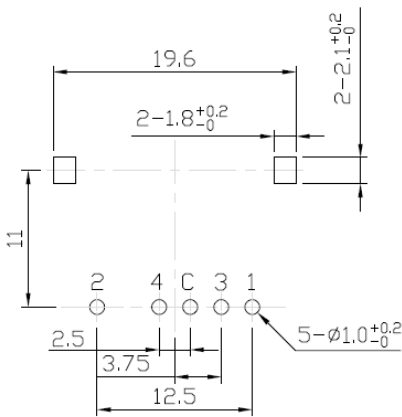
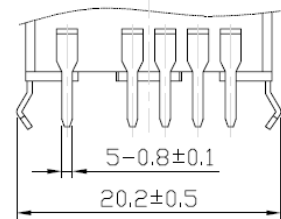
EN18ABHB11A0Fxx - Top Adjust, Plain Bushing



Shaft Type = F
Shaft Length = see Chart

SHAFT SHOWN IN POSITION 1

Code	26	28	29
L	26.8	28.7	29.5
F	12.7	15.7	15.7



P. C. B MOUNTING HOLES

Output Signal Format

TERM	POS	START POSITION															
		1	2	3	4	5	6	7	8	9	10	11	12	13	14	15	16
1		0	1	1	0	0	1	1	0	0	1	1	0	0	1	1	0
2		0	0	1	1	1	1	0	0	0	0	1	1	1	1	0	0
3		0	0	0	0	1	1	1	1	1	1	1	0	0	0	0	0
4		0	0	0	0	0	0	0	0	0	1	1	1	1	1	1	1

1: ON
0: OFF

General Note
TT Electronics reserves the right to make changes in product specification without notice or liability. All information is subject to TT Electronics' own data and is considered accurate at time of going to print.

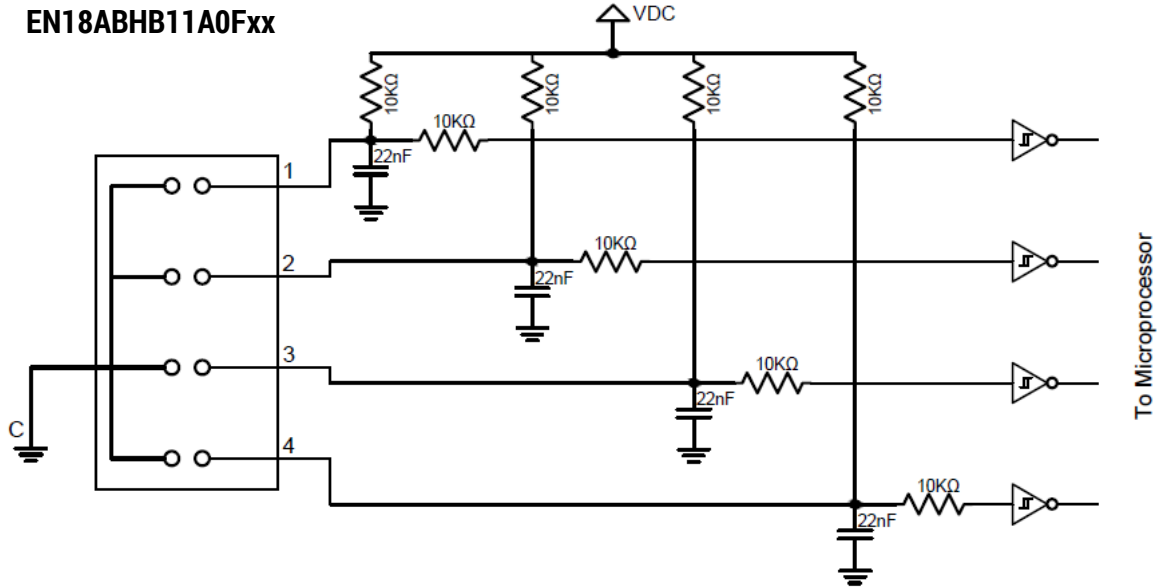
18 mm Absolute Encoder

EN18AB Series

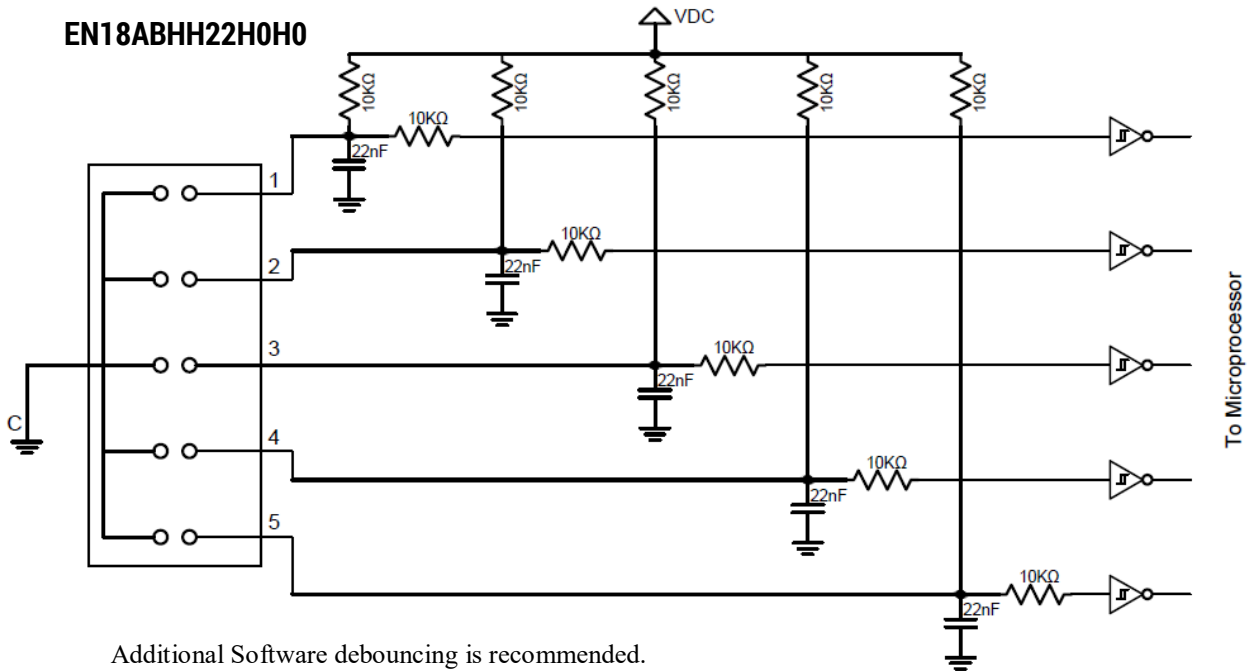


Recommended Circuit Connection

EN18ABHB11A0Fxx



EN18ABHH22H0H0



Additional Software debouncing is recommended.

Packaging

Standard Packaging	Plastic Trays
Included Hardware	None

General Note
TT Electronics reserves the right to make changes in product specification without notice or liability. All information is subject to TT Electronics' own data and is considered accurate at time of going to print.

TT Electronics | BI Technologies
Circulo de la Amistad #102 PIMSA IV Mexicali B.C. Mexico C.P 21210
Ph: + 1 (714) 447-2345
www.ttelectronics.com