

Features

- Universal Input 100~240VAC 50/60Hz
- IEC/EN/ANSI/AAMI ES 60601-1 (ED 3.1)
- EMC: IEC60601-1-2:2014(ED 4.0)
- Safety Approvals: cULus / UKCA / CB / PSE / FCC / CE / TUV / RoHS / REACH
- Means of Protection: 2 X MOPP
- Touch Current: < 100µA
- Single Output to 200W
- Regulated Output with Low Ripple Noise
- Safety Agency Requirements and EMI/EMS Certified
- Meets DoE Level VI, Energy Star, ErP Stage 2
- No Load Power Consumption Less Than 0.21W
- IEC C14 Connector
- Dimensions: L 204 x W 81 x H 42.5 (mm)
- Weight: 880g



The purpose of the document is to specify a Single-phase AC input, single output switching power supply. This specification is for: Desktop Power Supplies 200W Series. This product is suitable for use in medical applications. This Specification defines the input, output, performance characteristics, environment, noise and safety requirements.

Models

Model Number	Output Voltage	Output Current	Output Power
44ATM200T-P120	12V DC	16A	192W
44ATM200T-P150	15V DC	13A	195W
44ATM200T-P180	18V DC	11A	198W
44ATM200T-P190	19V DC	10.5A	199.5W
44ATM200T-P240	24V DC	8.3A	199.2W
44ATM200T-P480	48V DC	4.17A	200W

General Specification

Type	Switched Mode Power Supply
Input Connector	IEC 320-C14
Output Connection	4 Pin Kycon
Number of Outputs	1
Energy Efficiency Level	VI
Mounting Style	Desktop
MTBF	300,000 hours calculated at 25°C, by Telcoria SR-332
Power Indicator	LED Indicator for power on
Cable Length	1200mm(±30mm) or 1500mm(±30mm) Depending on Model
Cable Type	16AWG/18AWG/20AWG (Depending on model)
Medical Approved	Yes

Mechanical Specifications

Housing Material	Fully Enclosed Plastic Case
Overall Dimensions	204mm x 116mm x 47mm
Overall Length	204mm
Overall Height	42.5mm
Overall Width	81mm
Weight	880g

Input Specifications

Rated Input Voltage	100~240Vac (±10%)
Rated Frequency	50/60Hz
Efficiency Level VI	Level VI / Efficiency (EU) 2019/1782
Input Current	2.5A-0.9A
Inrush Current	100A Max. / 230Vac (Cold Start At 25°C, Full Load)
Touch Current	Less than 100µA
Input Protection	Internal Primary Current Fuse

Output Specifications

Output Regulation	±5%
Ripple & Noise (max.)	1% Vp-p Max. for Output Voltage @ Full Load
Voltage Tolerance	±5%
Load Regulation	±5%
No Load Power Consumption	<0.21W
Number of Outputs	1
Insulation Class	I
Dielectric Strength	Primary to Secondary 4,000Vac for 1 Minutes
Isolation Resistance	10MΩ for 500Vdc
Over Circuit Protection	Auto-recovery
Over Voltage Protection	V out * 150% MAX., latch off
Over Current Protection	I out * 150% MAX., auto-recovery

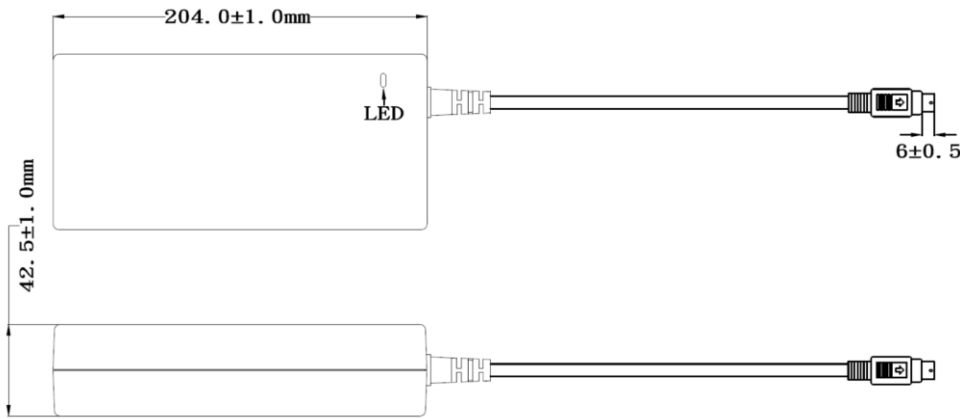
Protection Category

Means of Protection	2 X MOPP
----------------------------	----------

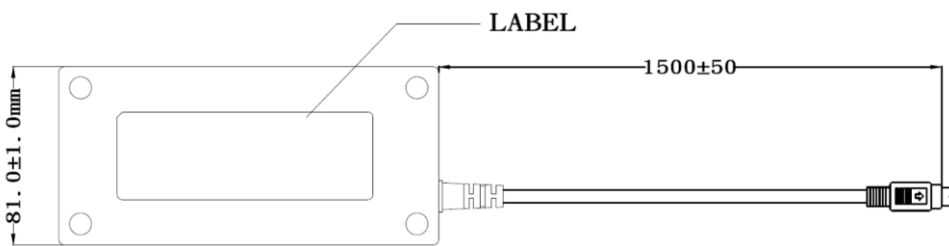
Approvals

Compliance/Certifications	CB / cULus/ FCC / CE / UKCA / T-mark / TUV / PSE
Safety Standard	IEC/EN/ANSI/AAMI ES 60601-1
EMC Emission:	Directive 93/42/EEC (EN 60601-1-2)

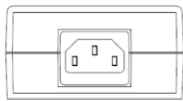
Mechanical Drawing



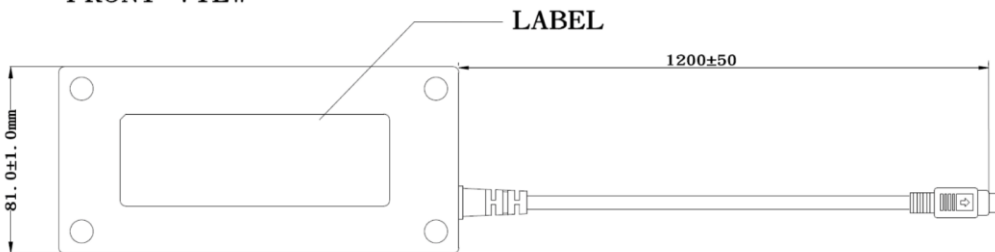
SIDE-VIEW



BOTTOM-VIEW

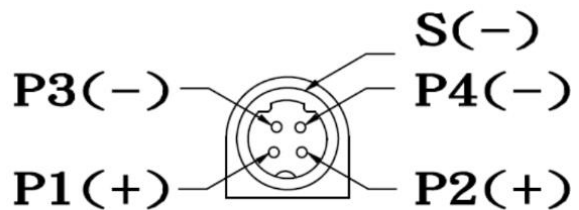
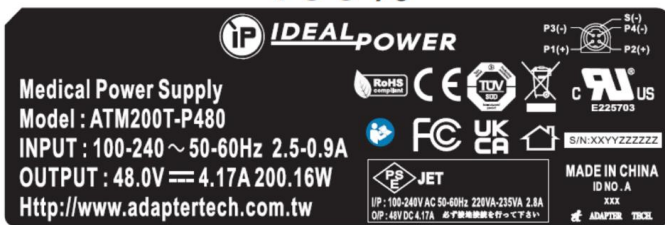


FRONT-VIEW



BOTTOM-VIEW

100%



Output cable plug pin assignment