

Adapter for screw mounting



General technical data

product brand name		SIRIUS
product designation		adapter for screw fixing
relative humidity during operation	%	10 ... 90
ambient temperature		
• during transport	°C	-55 ... +80
• during storage	°C	-55 ... +80
• during operation	°C	-20 ... +60
reference code acc. to DIN EN 61346-2		U

Installation/ mounting/ dimensions

width	mm	26
height	mm	23
depth	mm	45

Certificates/ approvals

certificate of suitability	IEC / EN 60947-6-2	
General Product Approval	EMC	Declaration of Conformity



[Miscellaneous](#)



Shipping Approval



other

[Confirmation](#)

Further information

Information- and Downloadcenter (Catalogs, Brochures,...)

<https://www.siemens.com/ic10>

Industry Mall (Online ordering system)

<https://mall.industry.siemens.com/mall/en/en/Catalog/product?mlfb=3RA6940-0A>

Cax online generator

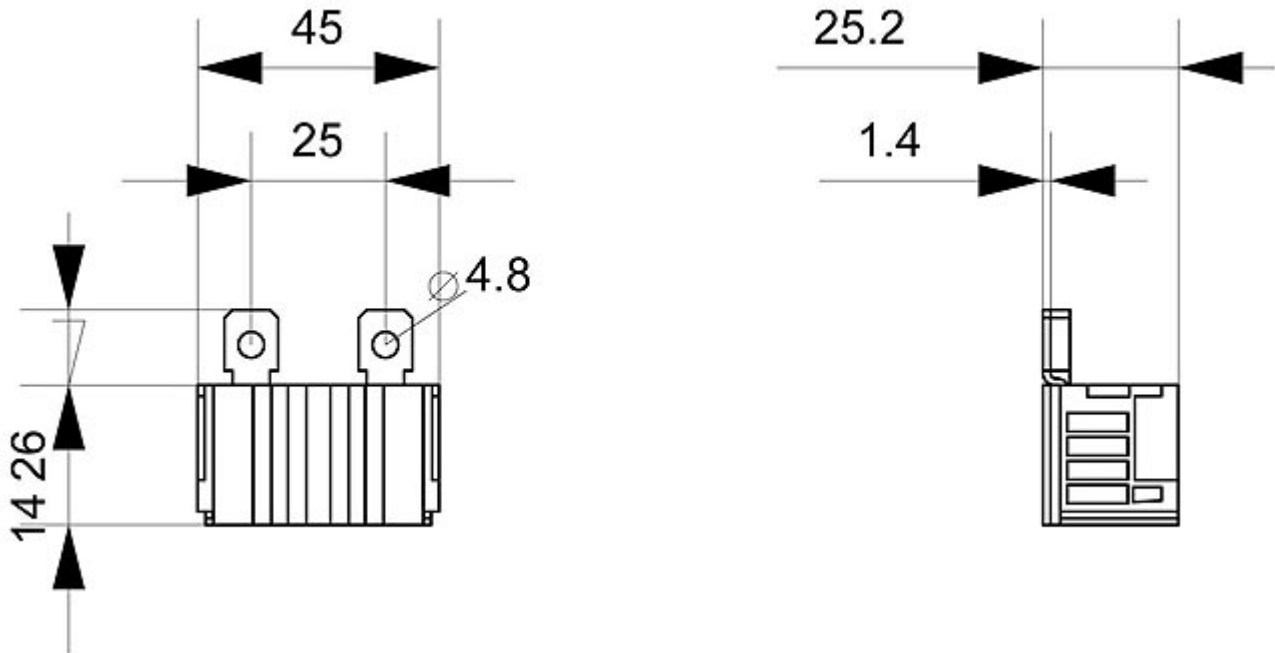
<http://support.automation.siemens.com/WW/CAXorder/default.aspx?lang=en&mlfb=3RA6940-0A>

Service&Support (Manuals, Certificates, Characteristics, FAQs,...)

<https://support.industry.siemens.com/cs/ww/en/ps/3RA6940-0A>

Image database (product images, 2D dimension drawings, 3D models, device circuit diagrams, EPLAN macros, ...)

http://www.automation.siemens.com/bilddb/cax_de.aspx?mlfb=3RA6940-0A&lang=en



last modified:

5/15/2020 