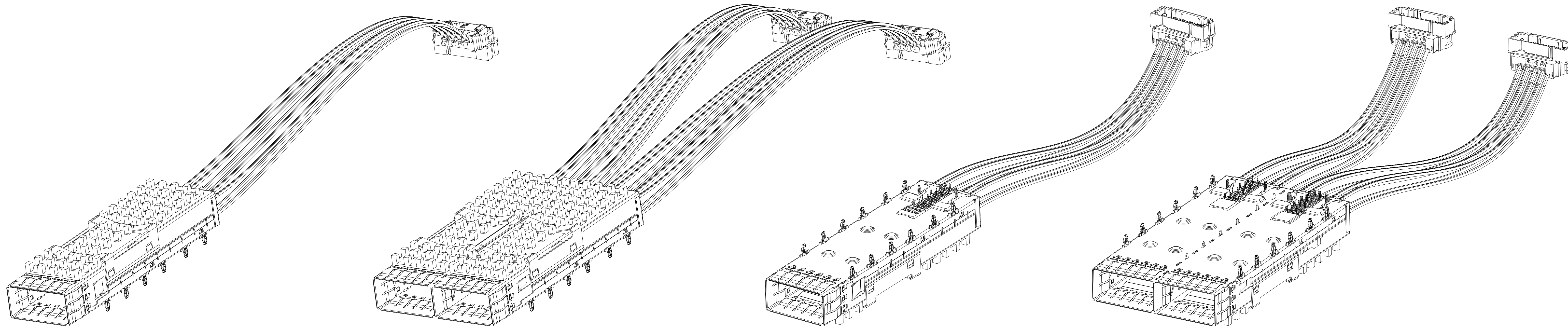


STANDARD SINGLE SIDED SHOWN 20842610XX
 BELLY-TO-BELLY APPLICATION USE 20842615XX
 LOW SPEED SIGNAL PIN LOCATION IS REVERSED
 IN ORDER TO STAGGER PCB PIN HOLE FIELD
 SEE SHEET 5 & 7

- NOTES:
- CABLE LENGTH DEPENDS ON WIRE GAUGE, DATA RATE AND HOST BOARD DRIVER CAPABILITIES.
 - MATERIALS:
 - CAGE - STAINLESS STEEL
 - HEAT SINK - ALUMINUM - NICKEL PLATED
 - SPRING FINGERS - STAINLESS STEEL
 - HEAT SINK CLIP - STAINLESS STEEL
 - TWINAX CABLE (HIGH SPEED)
 - SHIELD - ALUMINUM/POLYESTER FOIL WRAP
 - SIGNAL PAIR - 34AWG SOLID SILVER PLATED COPPER
 - DRAIN - 34AWG SOLID SILVER PLATER COPPER
 - CONFORMS TO UL VW-1
 - IMPEDENCE - 100 OHMS
 - RoHS COMPLIANT. NO EXEMPTIONS.
 - P2: BIPASS WITH NEARSTACK RECEPTACLE PN FOR GEN 2.0
 MATES WITH NEARSTACK PLUG PN 20331622XX (GEN 2.0)
 - MARK WITH PART NUMBER SERIAL NUMBER
 PART NUMBER: SEE PART NUMBER TABLE
 SERIAL NUMBER:
 YY - YEAR
 DDD - DAY OF THE YEAR
 L - MANUFACTURE LOCATION
 SSSS - SERIAL NUMBER (0001-9999)

SYMBOLS		THIS DRAWING CONTAINS INFORMATION THAT IS PROPRIETARY TO MOLEX ELECTRONIC TECHNOLOGIES, LLC AND SHOULD NOT BE USED WITHOUT WRITTEN PERMISSION	
▽ = 0	DIMENSION UNITS	SCALE	CURRENT REV DESC: UPDATE NOTES 5 FOR CLARIFICATION SHALL MATE GEN 2.0 BIPASS WITH GEN 2.0 PLUG
▽ = 0	mm	1:1	
▽ = 0	GENERAL TOLERANCES (UNLESS SPECIFIED)		EC NO: 701299
▽ = 0	ANGULAR TOL ± °		DRWN: LLI05 2022/03/02
▽ = 0	4 PLACES	±	CHK'D: BCHEN06 2022/04/08
▽ = 0	3 PLACES	±	APPR: BCHEN06 2022/04/08
▽ = 0	2 PLACES	± 0.13	INITIAL REVISION:
▽ = 0	1 PLACE	± 0.25	DRWN: SVANG01 2018/06/12
▽ = 0	0 PLACES	±	2018/11/09
▽ = 0	DRAFT WHERE APPLICABLE MUST REMAIN WITHIN DIMENSIONS		APPR: ADTUCKER
▽ = 0	THIRD ANGLE PROJECTION	DRAWING	SERIES
		D-SIZE	208426
DOCUMENT NUMBER		DOC TYPE	DOC PART
2084261000		PSD	000
REVISION		G	
PRODUCT CUSTOMER DRAWING			
MATERIAL NUMBER		CUSTOMER	
SEE P/N TABLE		GENERAL MARKET	
SHEET NUMBER		1 OF 9	

DOCUMENT STATUS	P1	RELEASE DATE	2022/04/08	04:59:14
-----------------	----	--------------	------------	----------



1X1 STANDARD
TOP OF BOARD

PART NUMBER	NEARSTACK HIGH SPEED LENGTH (MM)
2084261002	150
2084261003	200
2084261004	300
2084261005	400
2084261006	450
2084261007	500

1X2 STANDARD
TOP OF BOARD

PART NUMBER	NEARSTACK HIGH SPEED LENGTH (MM)
2084262002	150
2084262003	200
2084262004	300
2084262005	400
2084262006	450
2084262007	500

1X1 BELLY TO BELLY
BOTTOM OF BOARD

PART NUMBER	NEARSTACK HIGH SPEED LENGTH (MM)
2084261502	150
2084261503	200
2084261504	300
2084261505	400
2084261506	450
2084261507	500

1X2 BELLY TO BELLY
BOTTOM OF BOARD

PART NUMBER	NEARSTACK HIGH SPEED LENGTH (MM)
2084262502	150
2084262503	200
2084262504	300
2084262505	400
2084262506	450
2084262507	500

NOTES:

1. ALL CABLE PART NUMBERS LISTED ARE OF THE ZQ GEN 2.0 AND NEARSTACK GEN 2.0 DESIGN .
2. CONTACT MOLEX FOR BIPASS ASSEMBLY PART NUMBERS AND AVAILABILITY FOR 1X3 THROUGH 1X6 CONFIGURATIONS

SYMBOLS	THIS DRAWING CONTAINS INFORMATION THAT IS PROPRIETARY TO MOLEX ELECTRONIC TECHNOLOGIES, LLC AND SHOULD NOT BE USED WITHOUT WRITTEN PERMISSION			
	DIMENSION UNITS	SCALE	CURRENT REV DESC: UPDATE NOTES 5 FOR CLARIFICATION SHALL MATE GEN 2.0 BIPASS WITH GEN 2.0 PLUG	
▽ = 0	mm	2:1	<p>EC NO: 701299</p> <p>DRWN: LLI05 2022/03/02</p> <p>CHK'D: BCHEN06 2022/04/08</p> <p>APPR: BCHEN06 2022/04/08</p> <p>INITIAL REVISION:</p> <p>DRWN: SVANG01 2018/06/12</p> <p>APPR: ADTUCKER 2018/11/09</p>	
▽ = 0	GENERAL TOLERANCES (UNLESS SPECIFIED)			
▽ = 0	ANGULAR TOL	± °		
▽ = 0	4 PLACES	±		
▽ = 0	3 PLACES	±		
▽ = 0	2 PLACES	± 0.13		
▽ = 0	1 PLACE	± 0.25		
▽ = 0	0 PLACES	±		
■ = 0	DRAFT WHERE APPLICABLE MUST REMAIN WITHIN DIMENSIONS	THIRD ANGLE PROJECTION	<p>DOCUMENT NUMBER</p> <p>2084261000</p>	
▽ = 0	D-DRAWING	SERIES		DOC TYPE
		D-SIZE	208426	DOC PART
		SEE P/N TABLE	GENERAL MARKET	REVISION
				PSD 000 G
				MATERIAL NUMBER
				CUSTOMER
				SHEET NUMBER
				2 OF 9

molex

ZQSFP BIPASS P2B 1XN POWER TO BOARD

PRODUCT CUSTOMER DRAWING

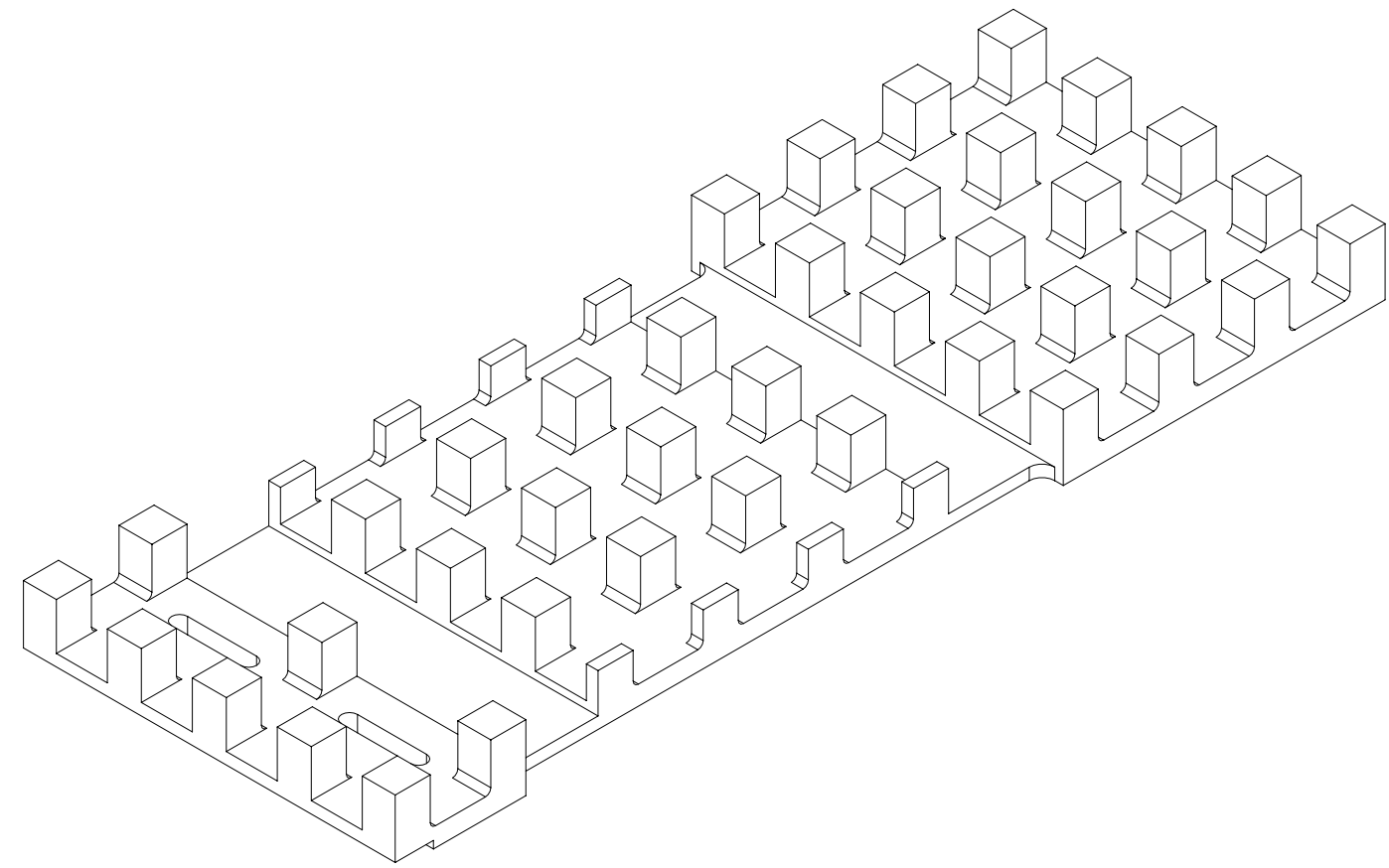
DOCUMENT NUMBER DOC TYPE DOC PART REVISION

2084261000 PSD 000 G

MATERIAL NUMBER CUSTOMER SHEET NUMBER

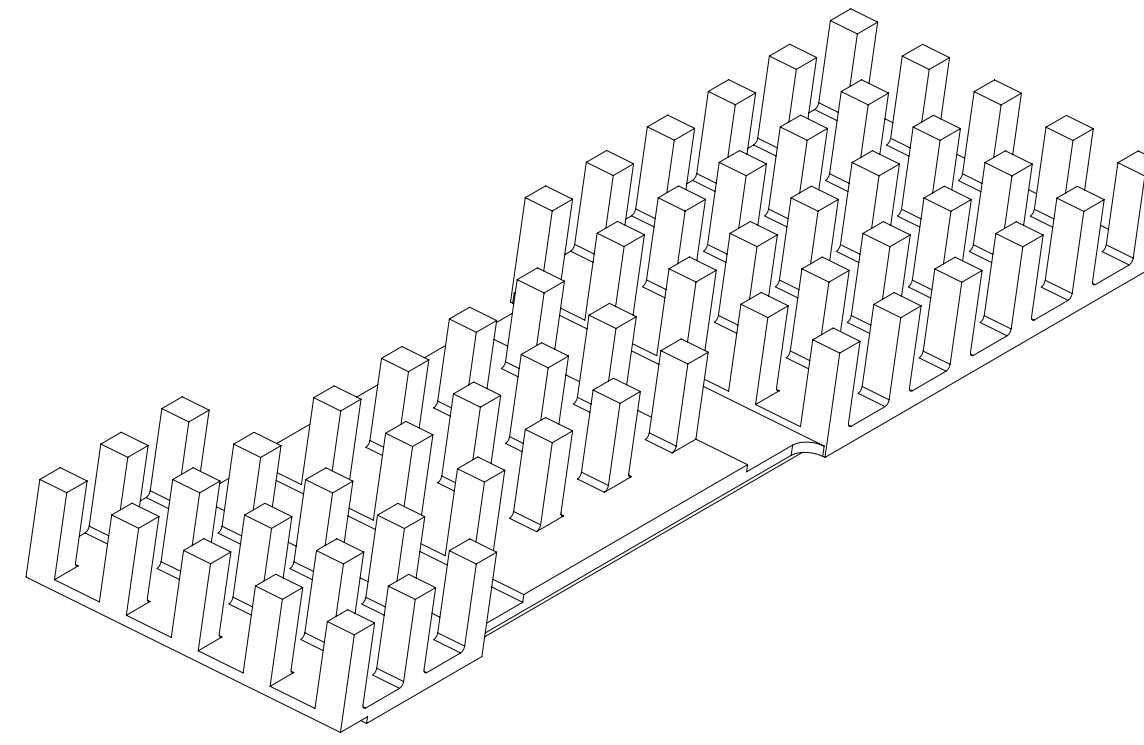
SEE P/N TABLE GENERAL MARKET 2 OF 9

STANDARD HEAT SINK
USED ON ASSEMBLIES SHOWN
IN THIS DRAWING

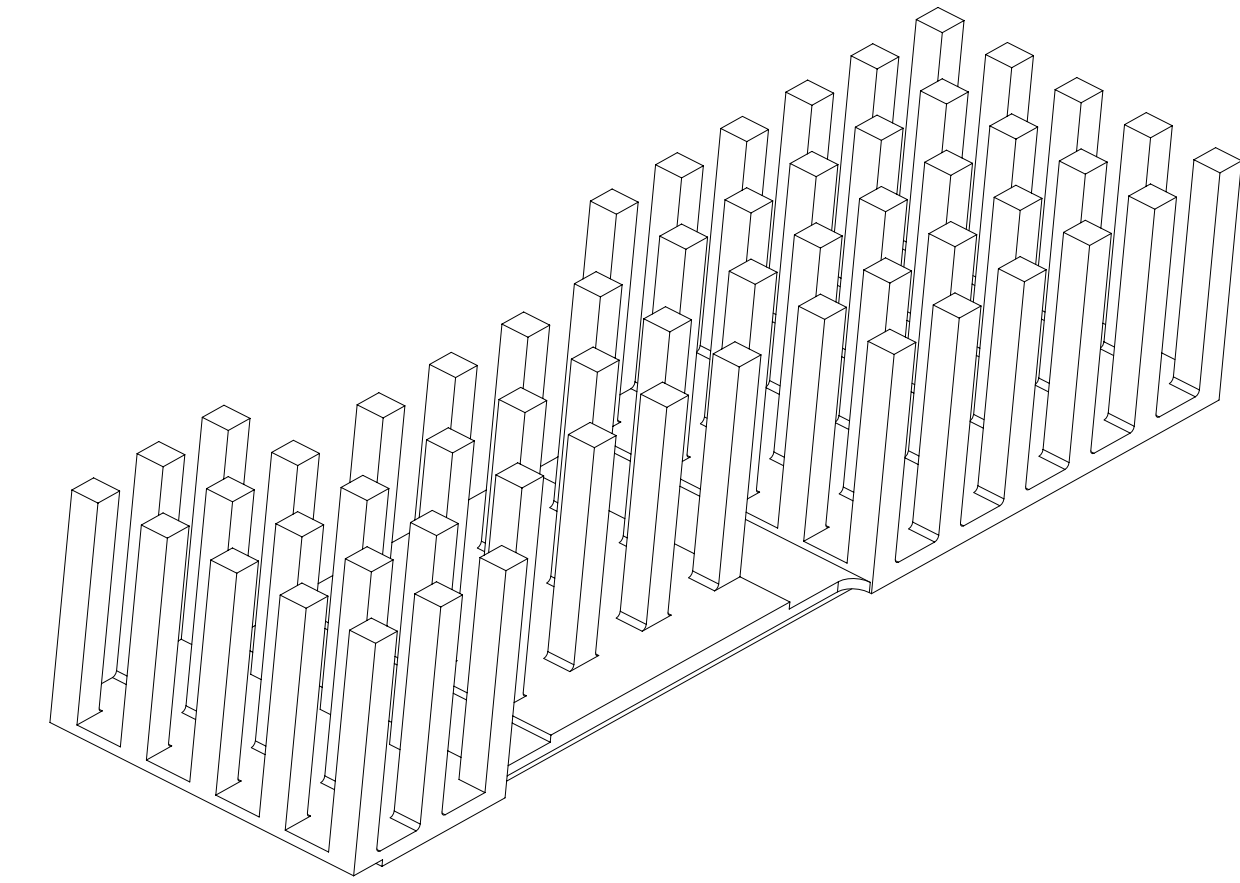


HEAT SINK PIN TYPE
HEIGHT = 3.1MM

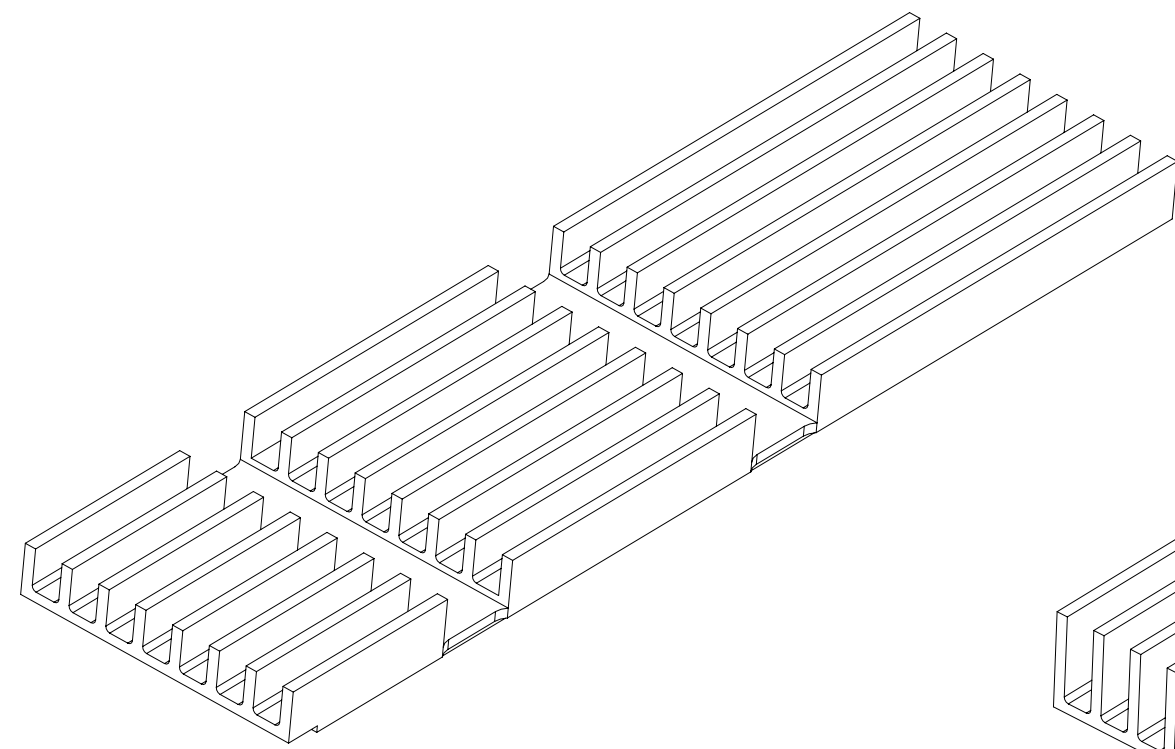
HEAT SINK OPTIONS



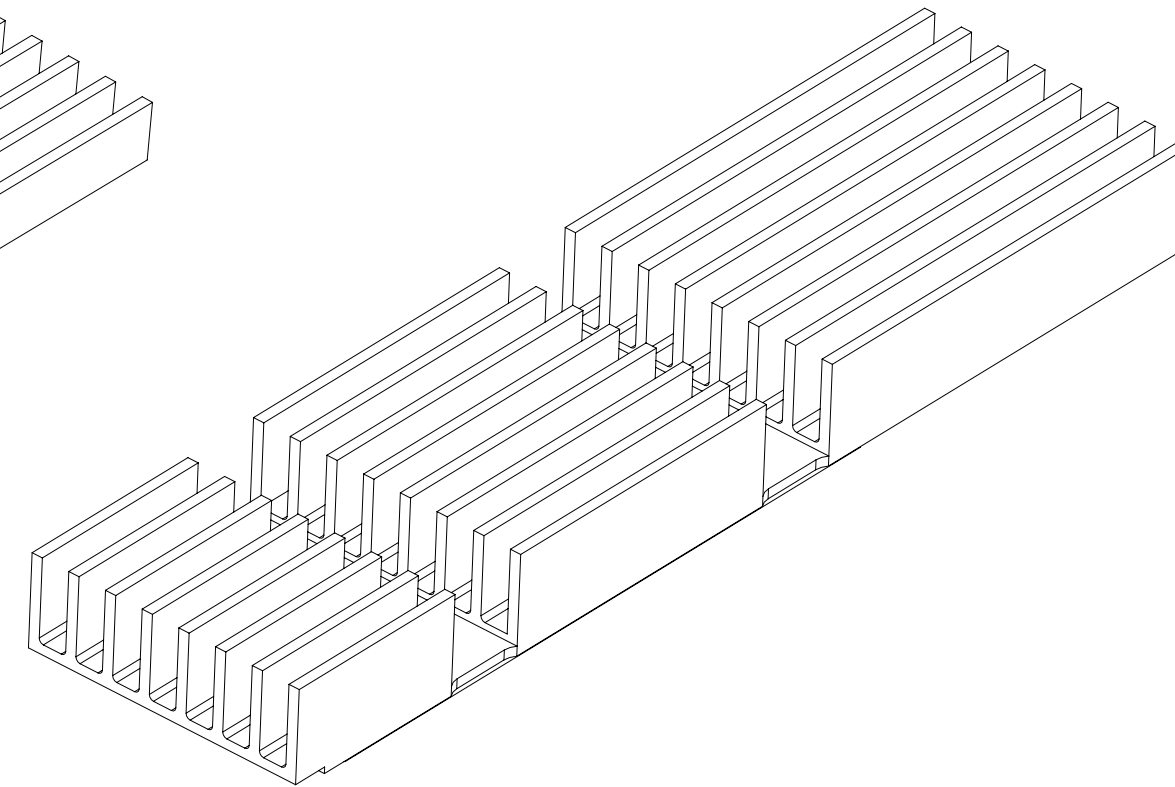
HEAT SINK PIN TYPE
HEIGHT = 5.4MM



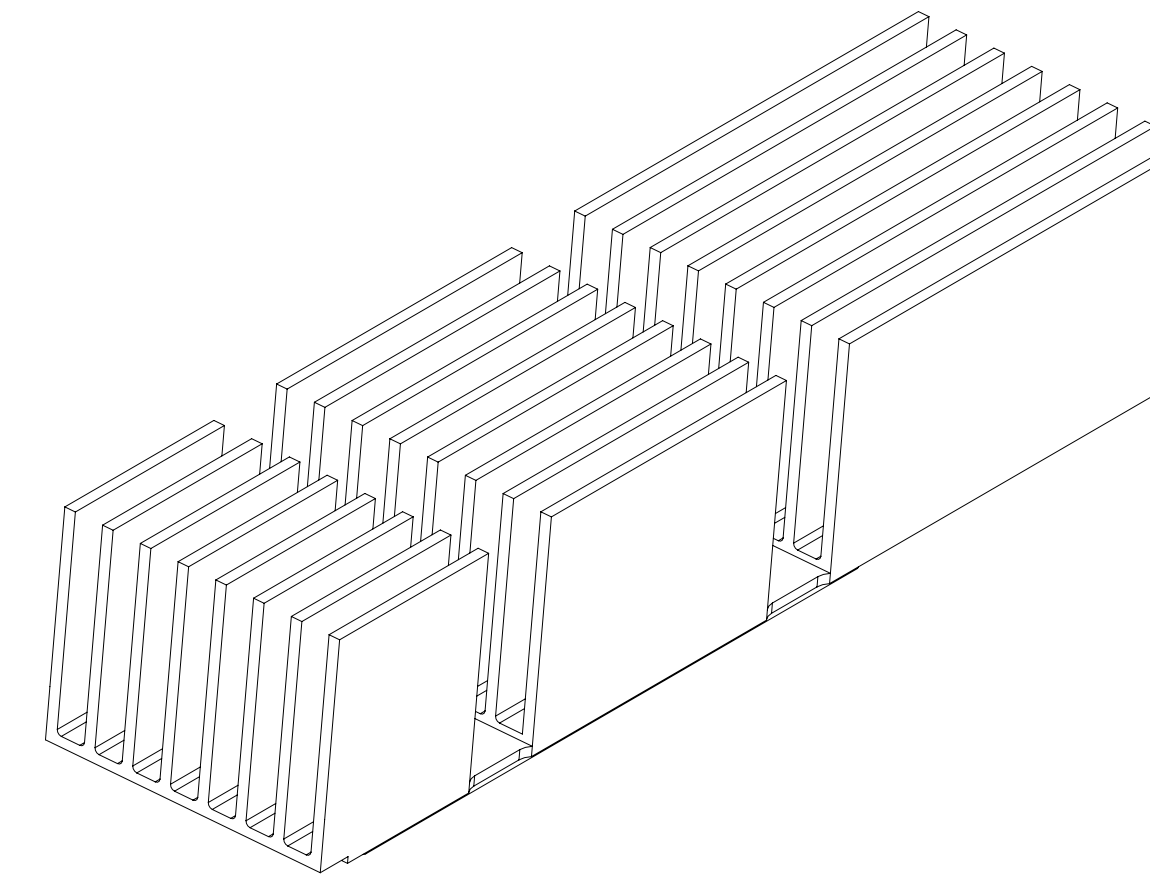
HEAT SINK PIN TYPE
HEIGHT = 12.4MM



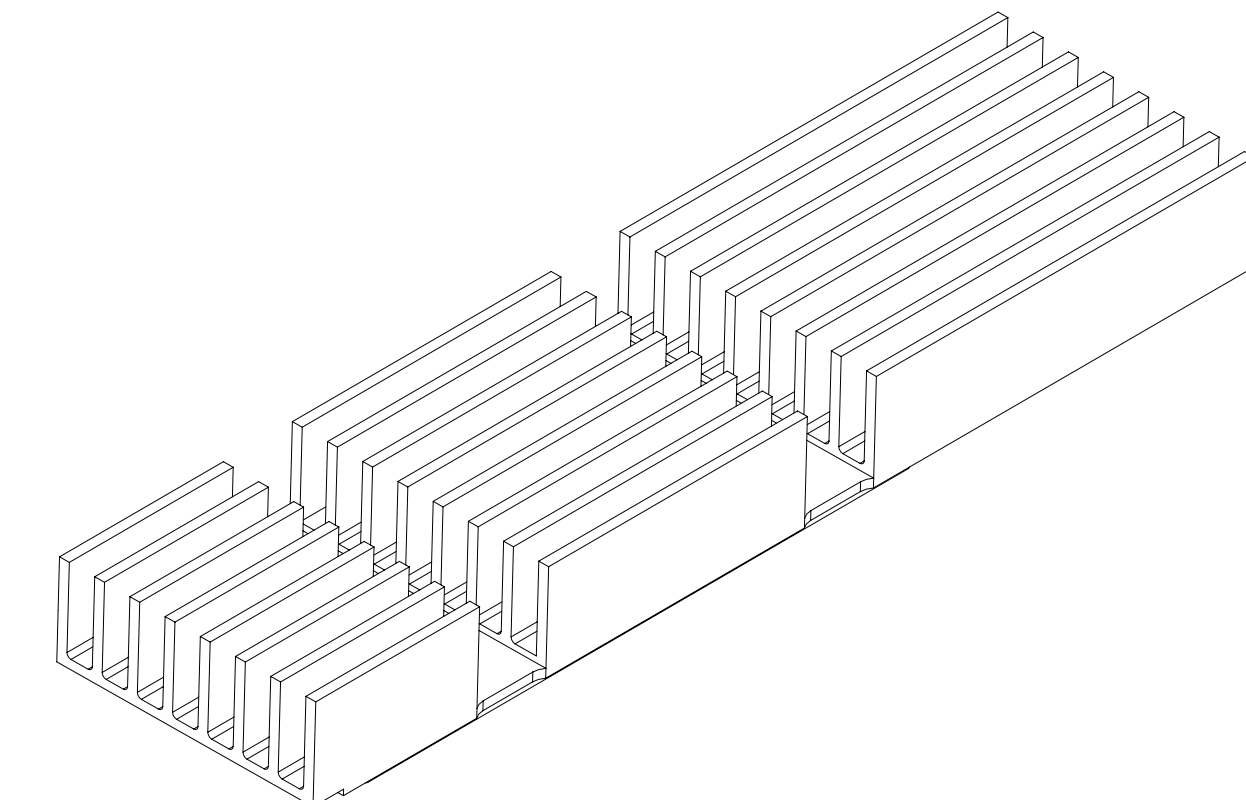
HEAT SINK FIN TYPE
HEIGHT = 3.1MM



HEAT SINK FIN TYPE
HEIGHT = 5.4MM



HEAT SINK FIN TYPE
HEIGHT = 12.4MM



HEAT SINK FIN TYPE
HEIGHT = 6.0MM

CONTACT MOLEX FOR BiPASS ASSEMBLY PART NUMBER AND AVAILABILITY

SYMBOLS	THIS DRAWING CONTAINS INFORMATION THAT IS PROPRIETARY TO MOLEX ELECTRONIC TECHNOLOGIES, LLC AND SHOULD NOT BE USED WITHOUT WRITTEN PERMISSION		
	DIMENSION UNITS	SCALE	CURRENT REV DESC: UPDATE NOTES 5 FOR CLARIFICATION SHALL MATE GEN 2.0 BIPASS WITH GEN 2.0 PLUG
▽ = 0	mm	1:1	EC NO: 701299 DRWN: LLI05 2022/03/02 CHK'D: BCHEN06 2022/04/08 APPR: BCHEN06 2022/04/08
▽ = 0	GENERAL TOLERANCES (UNLESS SPECIFIED)		
▽ = 0	ANGULAR TOL	± °	INITIAL REVISION: DRWN: SVANG01 2018/06/12 APPR: ADTUCKER 2018/11/09
▽ = 0	4 PLACES	±	
▽ = 0	3 PLACES	±	DOCUMENT NUMBER 2084261000
▽ = 0	2 PLACES	± 0.13	
▽ = 0	1 PLACE	± 0.25	DOC TYPE PSD
▽ = 0	0 PLACES	±	DOC PART 000
▽ = 0	DRAFT WHERE APPLICABLE MUST REMAIN WITHIN DIMENSIONS	THIRD ANGLE PROJECTION	REVISION G
▽ = 0		DRAWING SERIES D-SIZE 208426	MATERIAL NUMBER SEE P/N TABLE
			CUSTOMER GENERAL MARKET
			SHEET NUMBER 3 OF 9

molex

ZQSFP BIPASS P2B 1XN POWER TO BOARD

PRODUCT CUSTOMER DRAWING

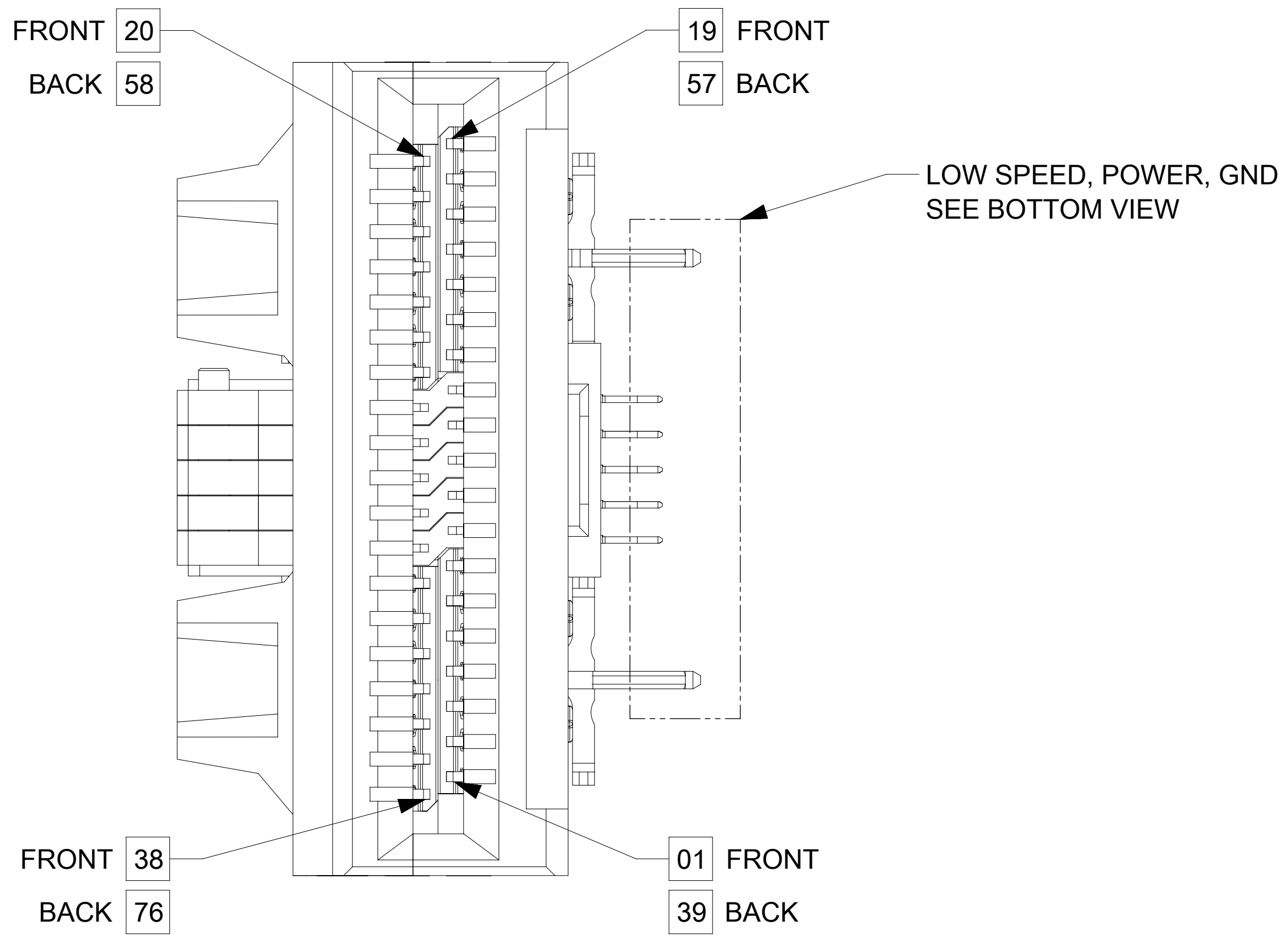
DOCUMENT NUMBER DOC TYPE DOC PART REVISION

2084261000 PSD 000 G

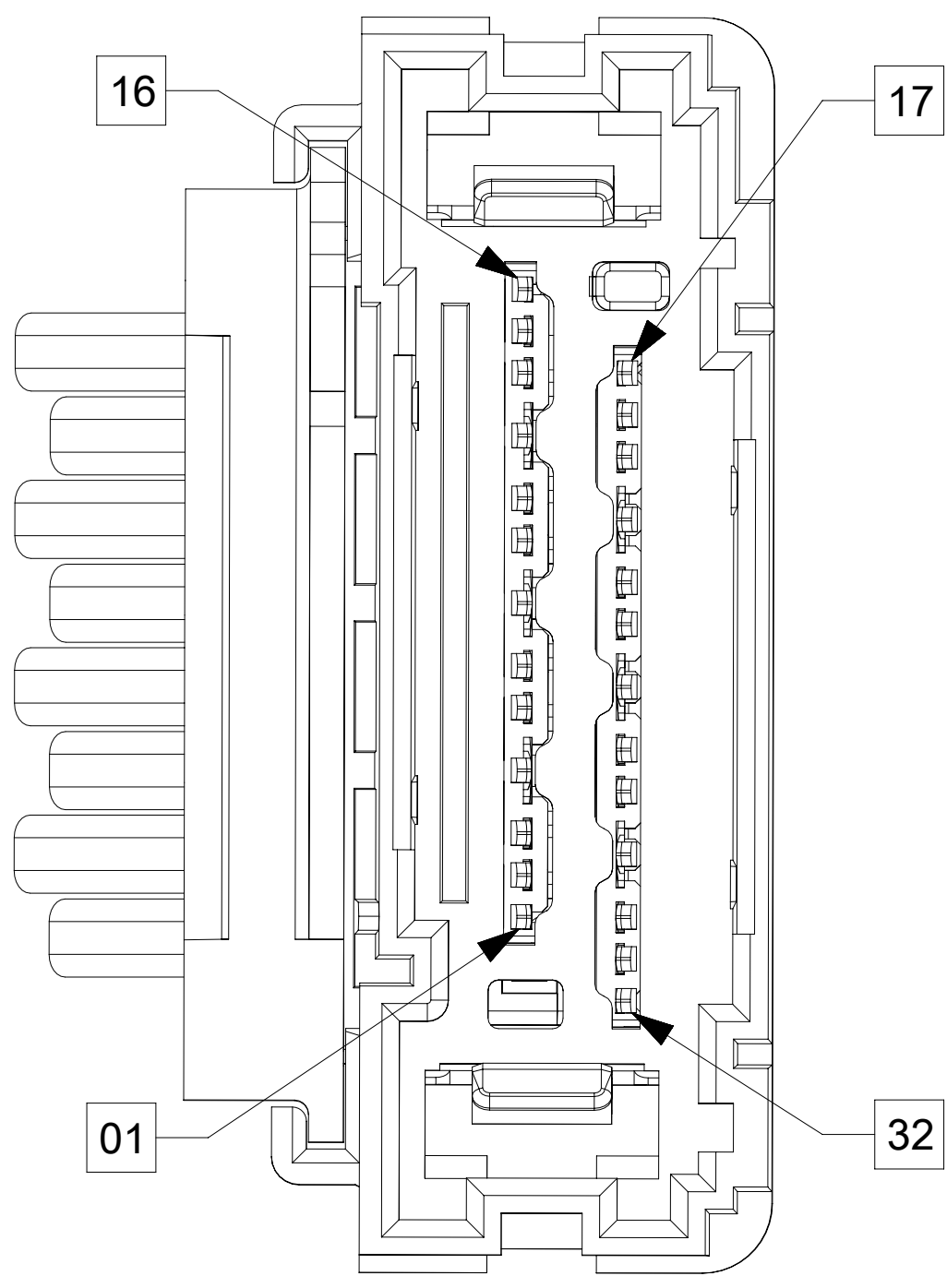
MATERIAL NUMBER CUSTOMER SHEET NUMBER

SEE P/N TABLE GENERAL MARKET 3 OF 9

P1 zQSFP



P2 NEARSTACK
HIGHSPEED



HIGH SPEED WIRING DIAGRAM			
P1 END - zQSFP+		P2 END - NEARSTACK	
PIN	SIGNAL	PIN	SIGNAL
01	GND (TX)	01	GND
02	TX2n	03	TX2n
03	TX2p	02	TX2p
04	GND (TX)	04, 05	GND
05	TX4n	07	TX4n
06	TX4p	06	TX4p
07	GND (TX)	08	GND
13	GND (RX)	09	GND
14	RX3p	11	RX3p
15	RX3n	10	RX3n
16	GND (RX)	12, 13	GND
17	RX1p	15	RX1p
18	RX1n	14	RX1n
19	GND (RX)	16	GND
20	GND (RX)	17	GND
21	RX2n	18	RX2n
22	RX2p	19	RX2p
23	GND (RX)	20, 21	GND
24	RX4n	22	RX4n
25	RX4p	23	RX4p
26	GND (RX)	24	GND
32	GND (TX)	25	GND
33	TX3p	26	TX3p
34	TX3n	27	TX3n
35	GND (TX)	28, 29	GND
36	TX1p	30	TX1p
37	TX1n	31	TX1n
38	GND (TX)	32	GND

COMMON INTERNAL GROUNDS	
END	PINS
P1	01,04,07,32,35,38
P1	13,16,19,20,23,26
P2	01,04,05,08,09,12,13,16 17,20,21,24,25,28,29,32

NOTE:
-THE DIGITAL GROUND SERVES AS A CURRENT RETURN PATH FOR DIGITAL SIGNALS
-THE CHASSIS GROUND CONNECTS TO THE CAGE PRESS FIT PINS
-THE CHASSIS GROUND SHOULD NOT BE CONNECTED TO THE DIGITAL GROUND

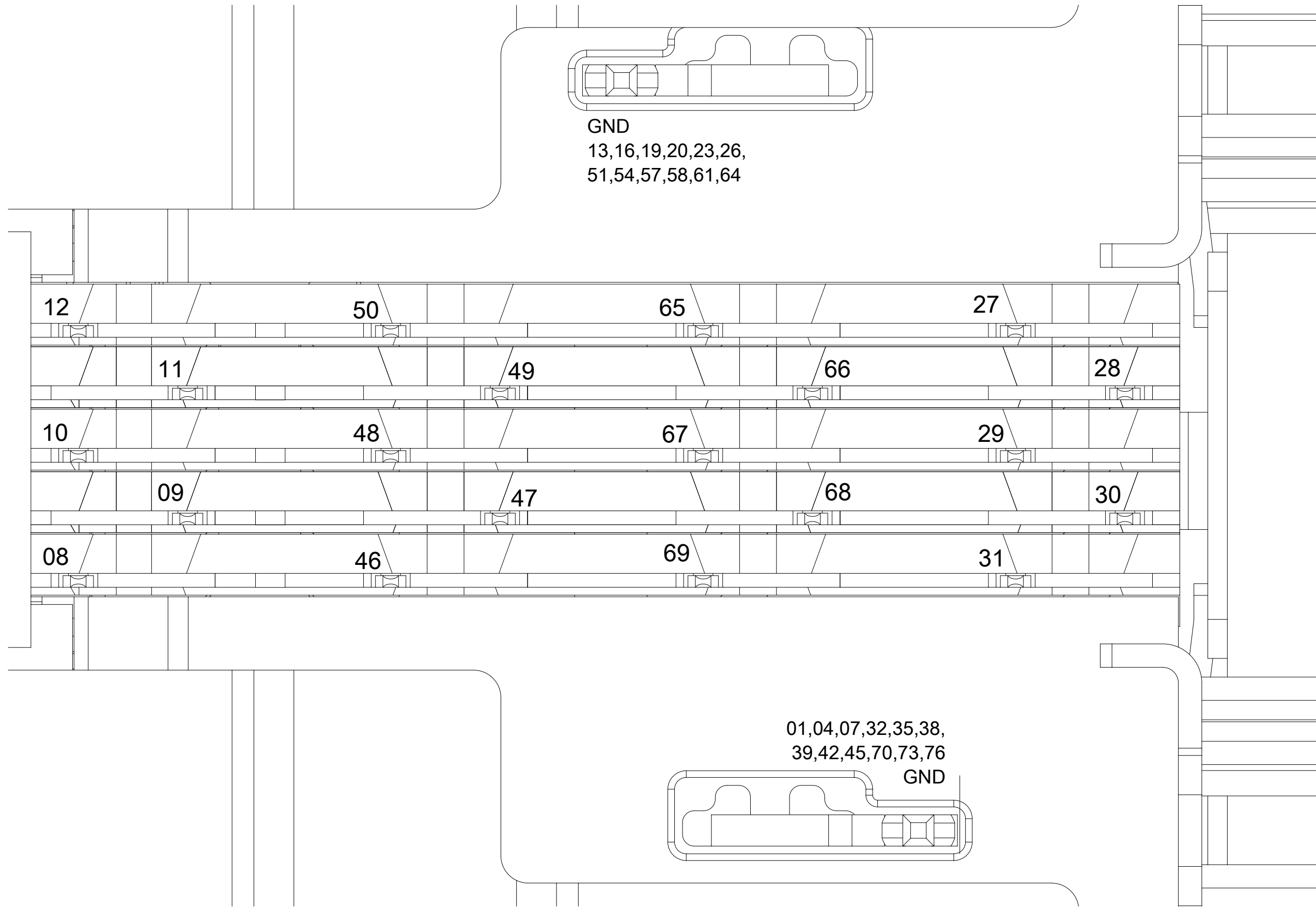
SYMBOLS ▽ = 0 ▽ = 0 ▽ = 0 ▽ = 0 ▽ = 0 ▽ = 0 ▽ = 0 ▽ = 0 ▽ = 0	THIS DRAWING CONTAINS INFORMATION THAT IS PROPRIETARY TO MOLEX ELECTRONIC TECHNOLOGIES, LLC AND SHOULD NOT BE USED WITHOUT WRITTEN PERMISSION		CURRENT REV DESC: UPDATE NOTES 5 FOR CLARIFICATION SHALL MATE GEN 2.0 BIPASS WITH GEN 2.0 PLUG	
	DIMENSION UNITS mm	SCALE 1:1	EC NO: 701299	
	GENERAL TOLERANCES (UNLESS SPECIFIED)		DRWN: LLI05 2022/03/02	
ANGULAR TOL ± °		CHK'D: BCHEN06 2022/04/08		
4 PLACES ±		APPR: BCHEN06 2022/04/08		
3 PLACES ±		INITIAL REVISION:		
2 PLACES ± 0.13		DRWN: SVANG01 2018/06/12		
1 PLACE ± 0.25		2018/11/09		
0 PLACES ±		APPR: ADTUCKER		
DRAFT WHERE APPLICABLE MUST REMAIN WITHIN DIMENSIONS		THIRD ANGLE PROJECTION	DRAWING SERIES	
			D-SIZE 208426	
		MATERIAL NUMBER	CUSTOMER SHEET NUMBER	
		2084261000	GENERAL MARKET 4 OF 9	
		DOCUMENT NUMBER	DOC TYPE DOC PART REVISION	
		2084261000	PSD 000 G	



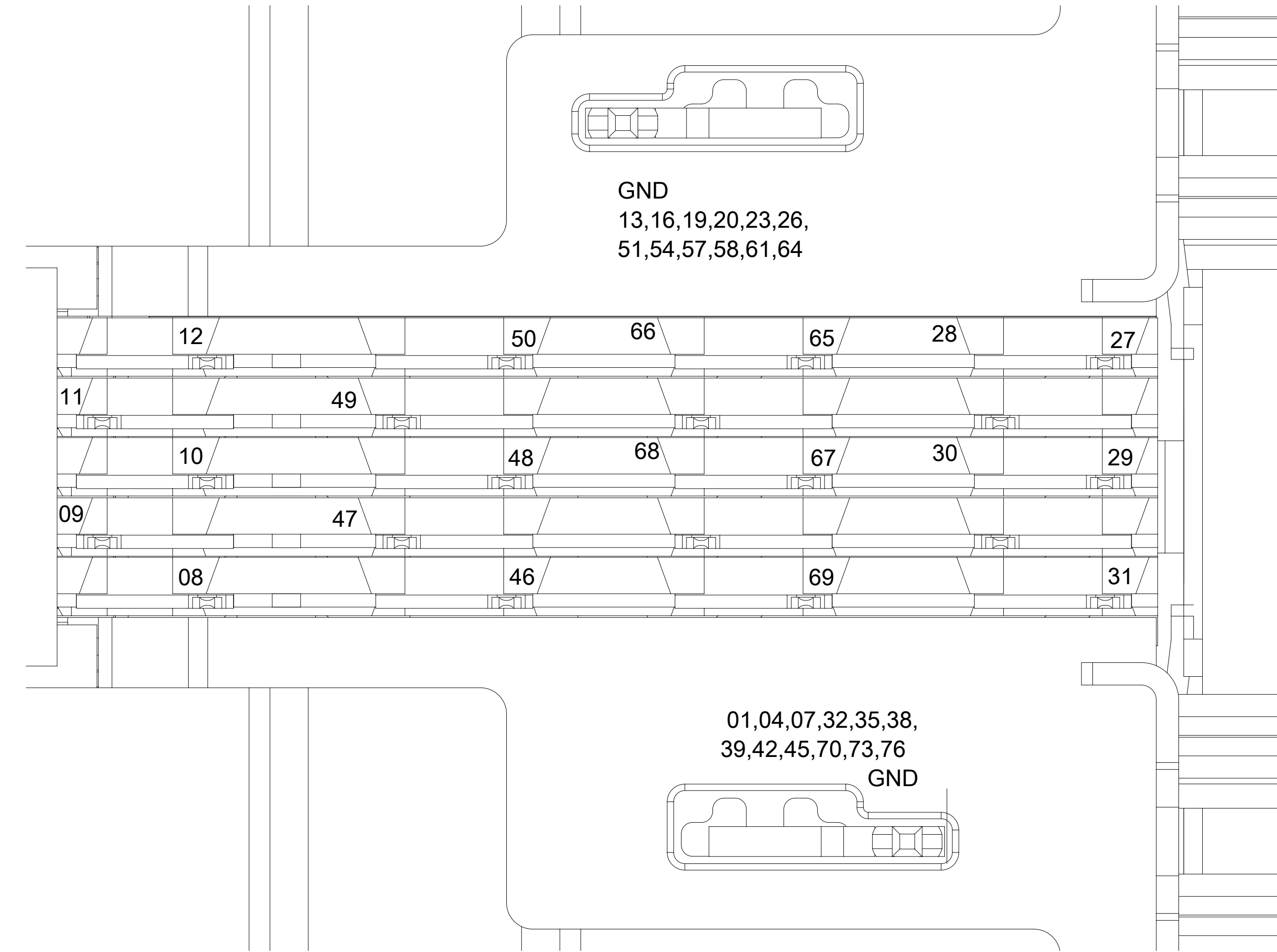
ZQSFP BIPASS P2B 1XN POWER TO BOARD

PRODUCT CUSTOMER DRAWING

P1 zQSFP STANDARD (TOP OF BOARD)
BOTTOM VIEW
POWER, LOW SPEED, GND



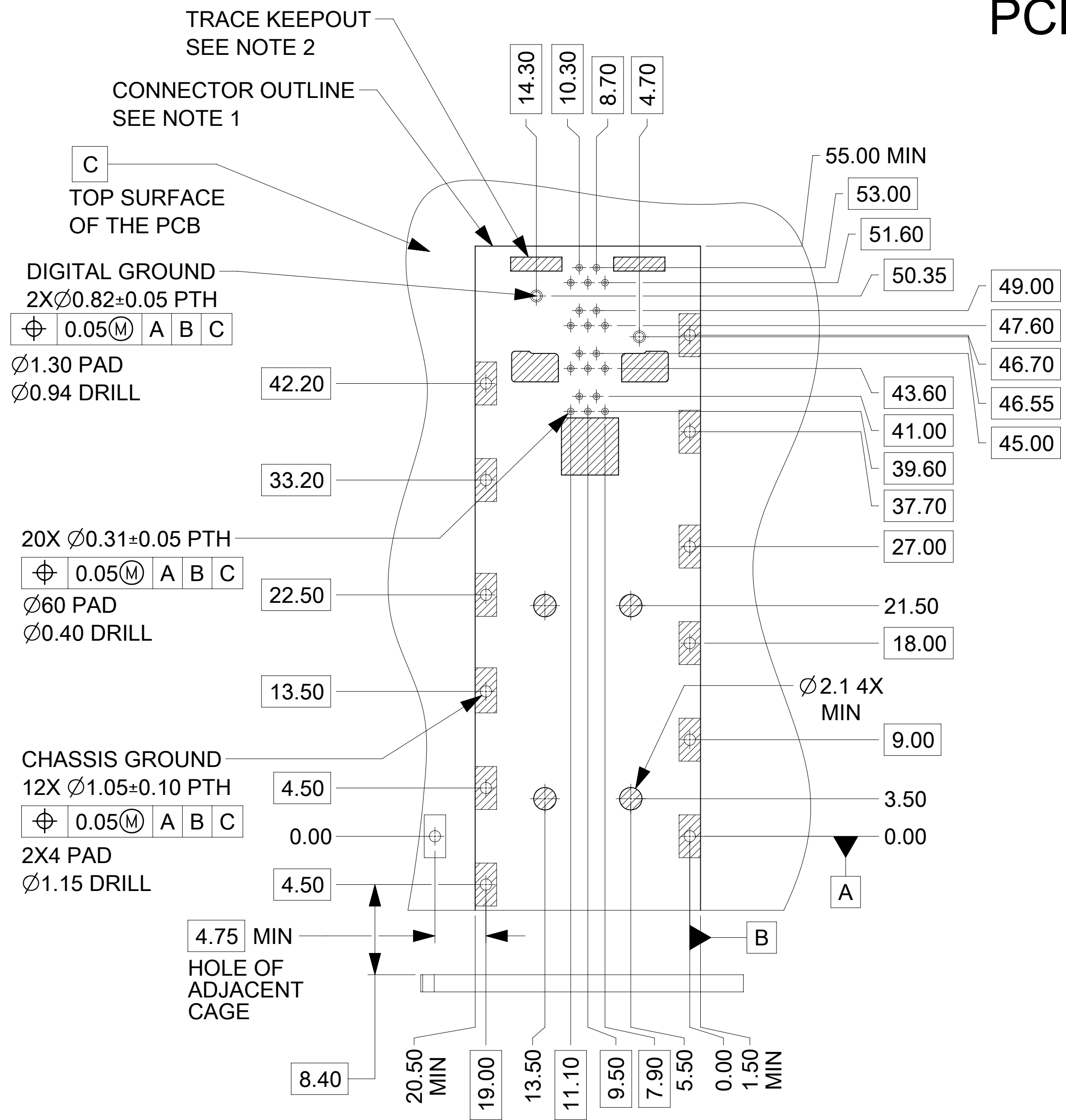
P1 zQSFP BELLY TO BELLY (BOTTOM OF BOARD)
BOTTOM VIEW
POWER, LOW SPEED, GND



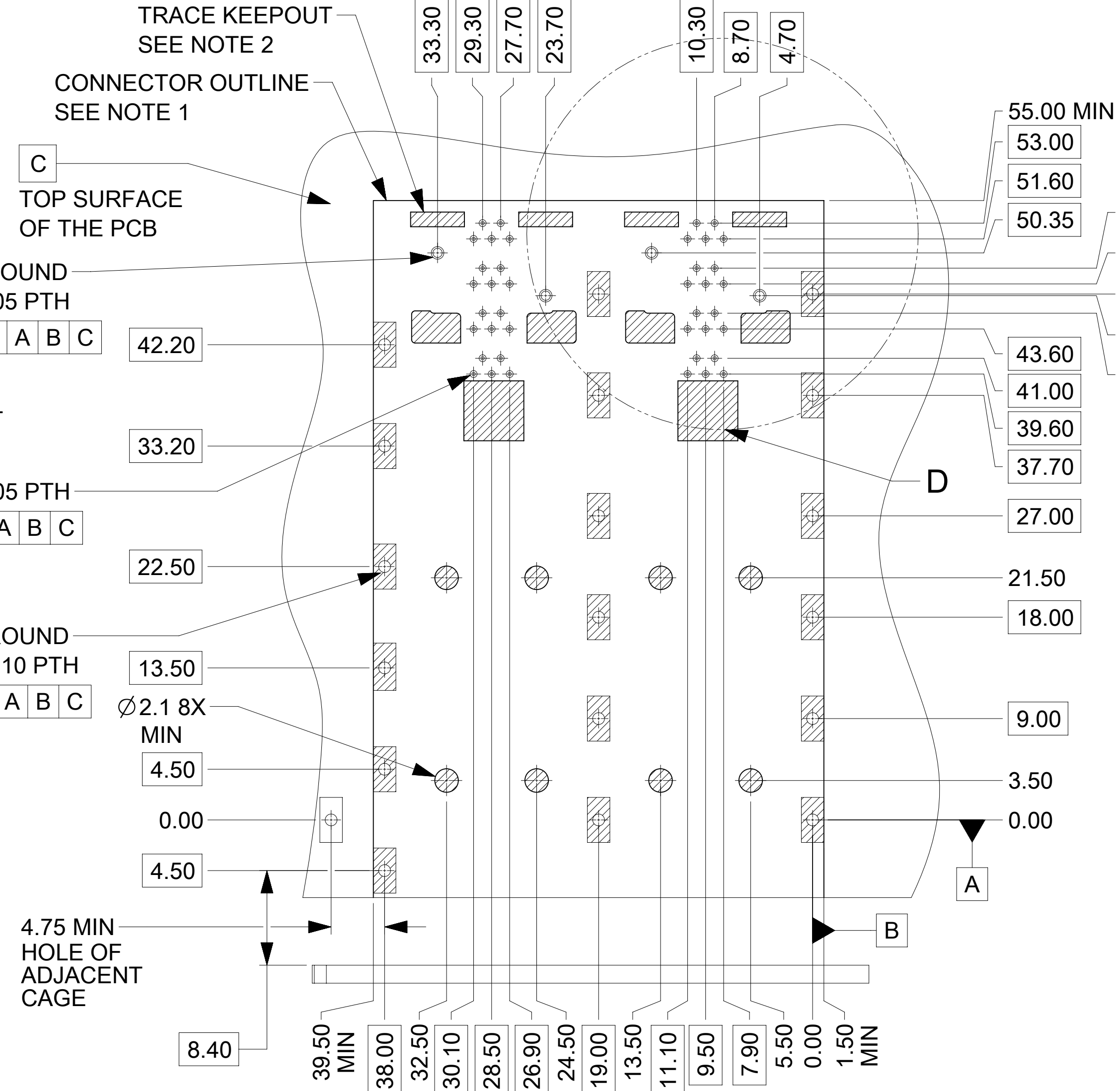
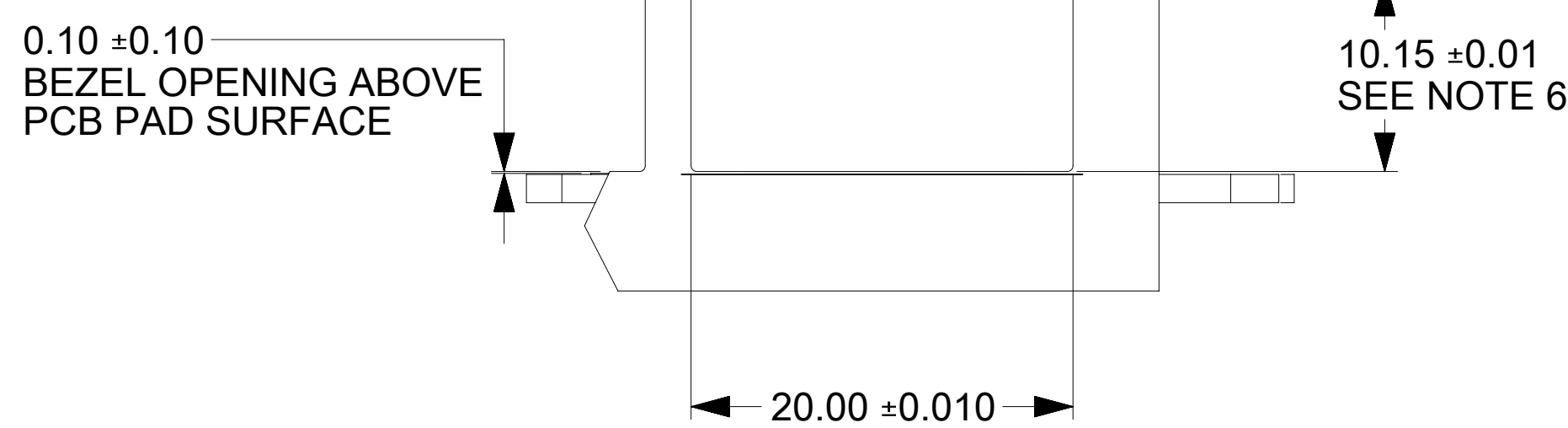
POWER & LOW SPEED SIGNALS	
P1 END	
PIN	SIGNAL
8	ModSelL
9	ResetL
10	VccRx
11	SCL
12	SDA
27	ModPrsL
28	IntL
29	VccTx
30	Vcc1
31	InitMode
46	NC
47	NC
48	NC
49	NC
50	NC
65	NC
66	NC
67	NC
68	NC
69	NC

SYMBOLS = 0 = 0 = 0 = 0 = 0 = 0 = 0 = 0	THIS DRAWING CONTAINS INFORMATION THAT IS PROPRIETARY TO MOLEX ELECTRONIC TECHNOLOGIES, LLC AND SHOULD NOT BE USED WITHOUT WRITTEN PERMISSION DIMENSION UNITS: mm SCALE: 1:1		CURRENT REV DESC: UPDATE NOTES 5 FOR CLARIFICATION SHALL MATE GEN 2.0 BIPASS WITH GEN 2.0 PLUG EC NO: 701299 DRWN: LLI05 2022/03/02 CHK'D: BCHEN06 2022/04/08 APPR: BCHEN06 2022/04/08		 ZQSFP BIPASS P2B 1XN POWER TO BOARD		
	GENERAL TOLERANCES (UNLESS SPECIFIED) ANGULAR TOL ± °		EC NO: 701299 DRWN: LLI05 2022/03/02 CHK'D: BCHEN06 2022/04/08 APPR: BCHEN06 2022/04/08				
	4 PLACES ± 3 PLACES ± 2 PLACES ± 0.13 1 PLACE ± 0.25 0 PLACES ±		INITIAL REVISION: DRWN: SVANG01 2018/06/12 APPR: ADTUCKER 2018/11/09		DOCUMENT NUMBER: 2084261000 DOC TYPE: PSD DOC PART: 000 REVISION: G		
	DRAFT WHERE APPLICABLE MUST REMAIN WITHIN DIMENSIONS		THIRD ANGLE PROJECTION 		MATERIAL NUMBER: 208426 CUSTOMER: GENERAL MARKET SHEET NUMBER: 5 OF 9		
	D-DRAWING		SERIES: D-SIZE		208426		

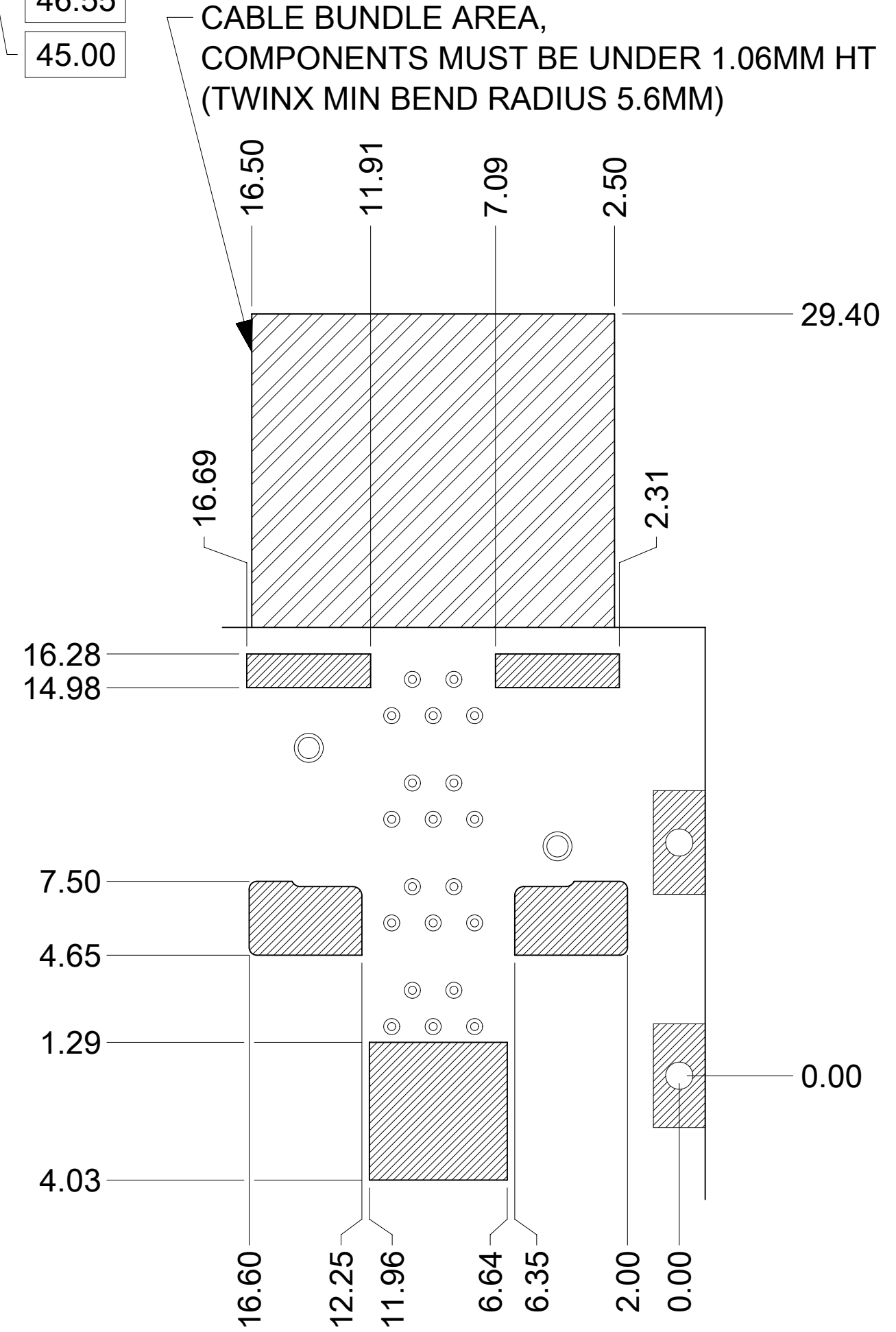
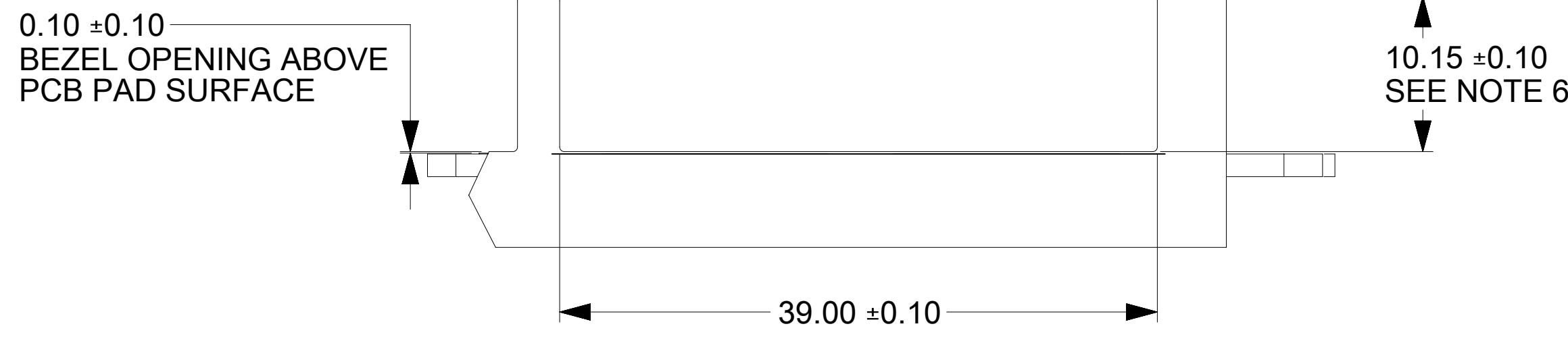
PCB FOOTPRINT TOP OF BOARD



1X1 PCB LAYOUT



1X2 PCB LAYOUT

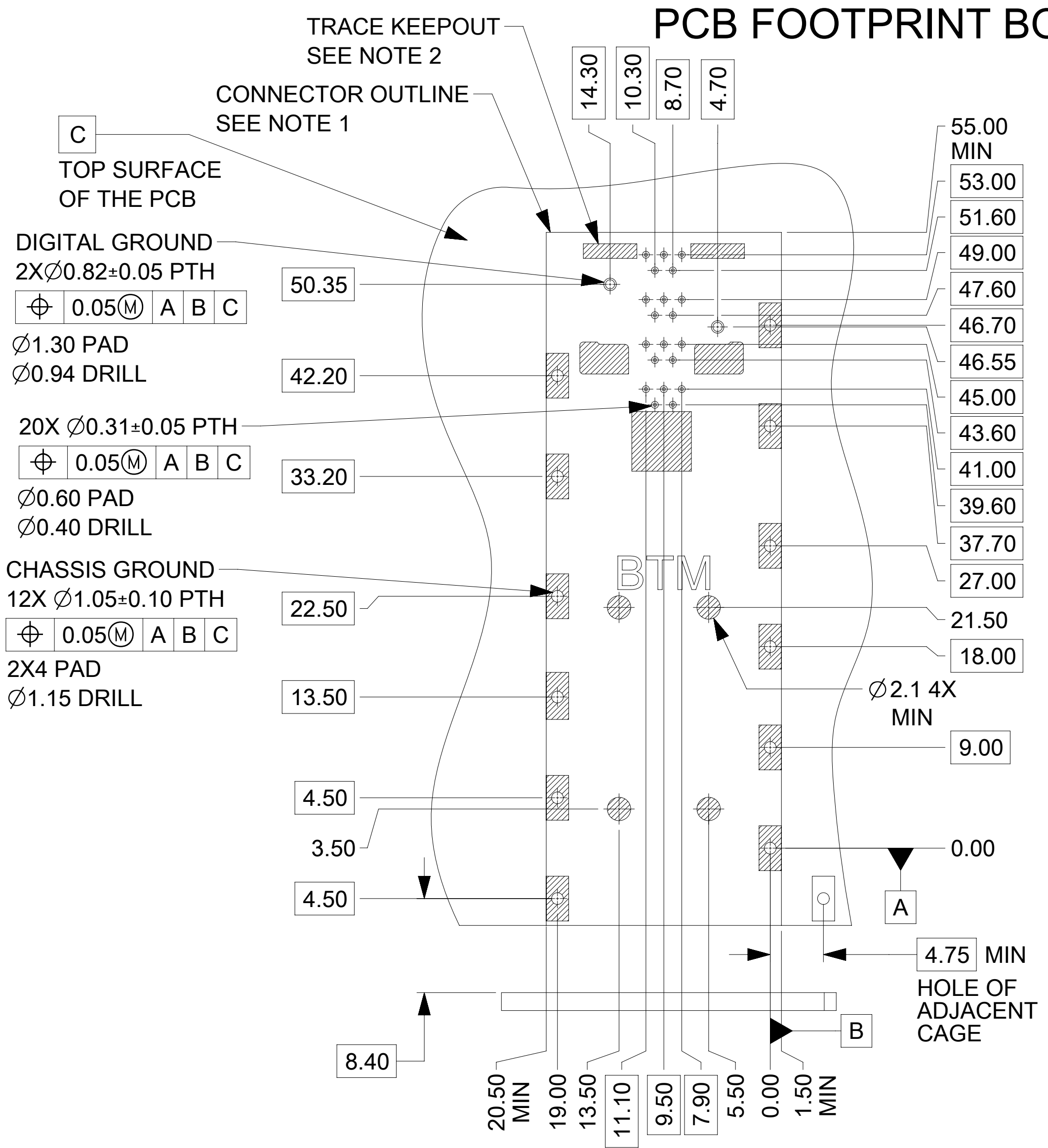


DETAIL D
SCALE 5:1

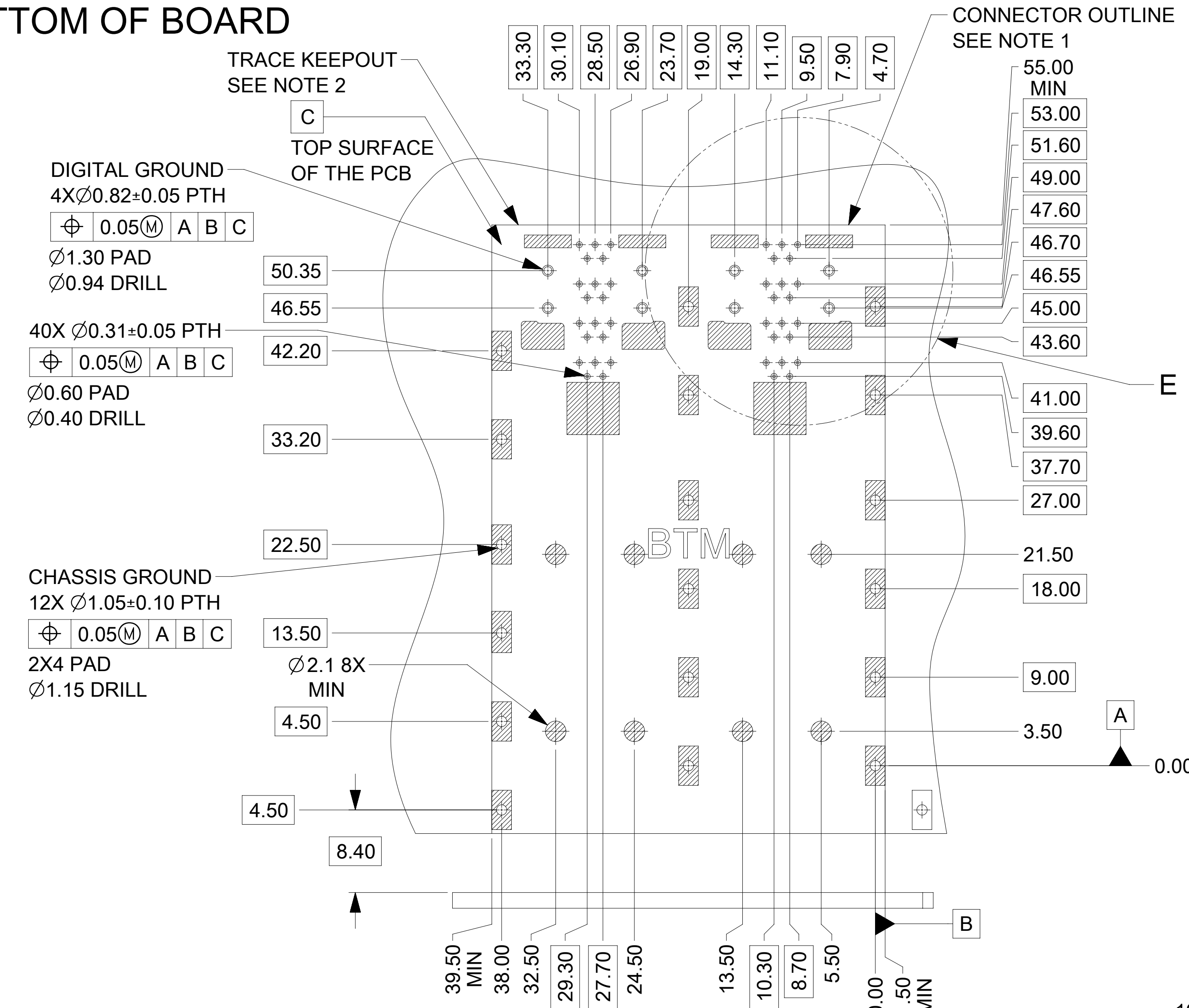
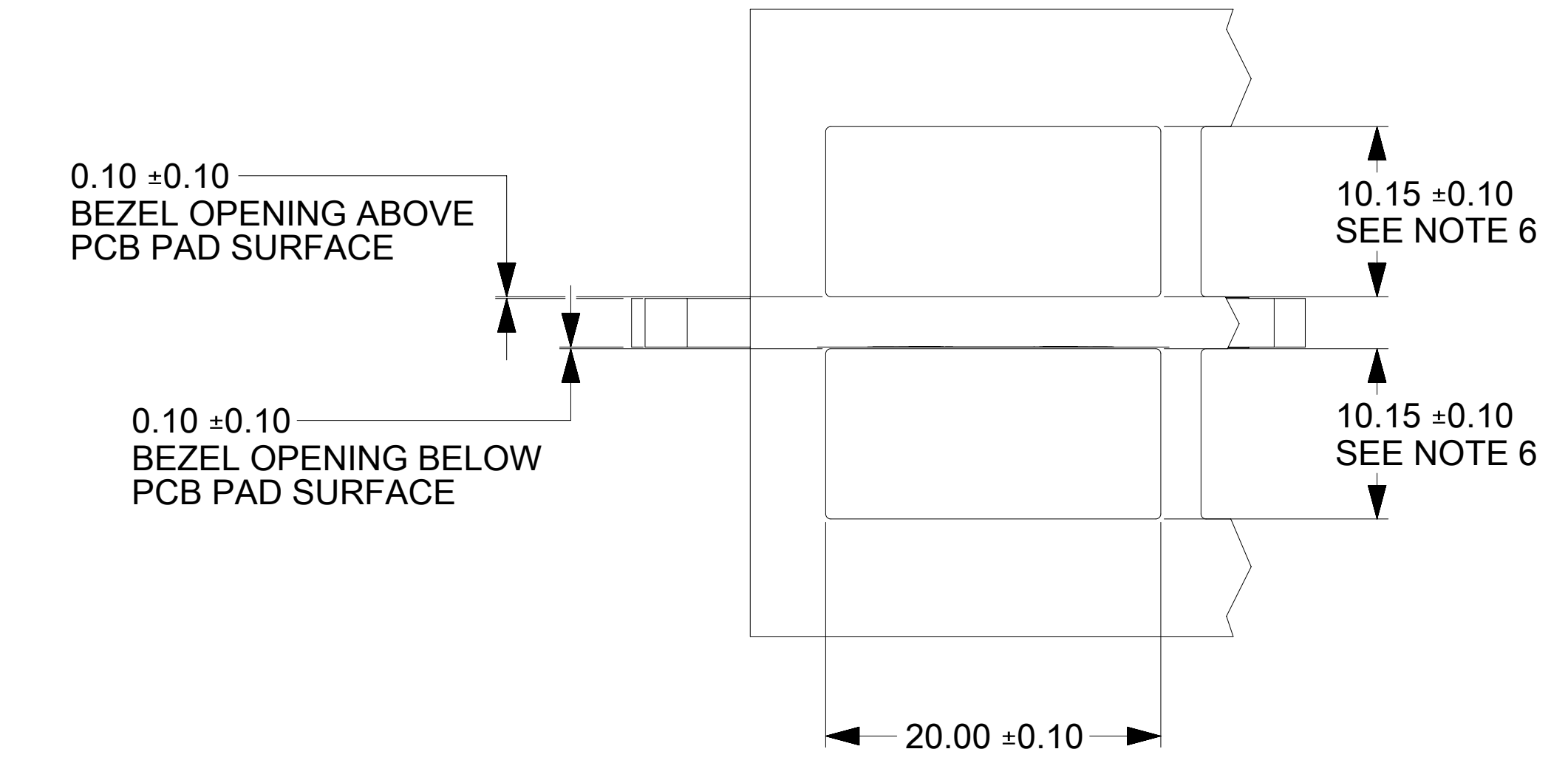
- NOTES:
- DASHED LINES INDICATE THE CONNECTOR OUTLINE, THIS AREA IS A COMPONENT KEEP-OUT ZONE.
 - CROSS HATCHED AREAS DENOTE WHERE CAGE OR CONNECTOR HOUSINGS CAN CONTACT THE BOARD. THESE ARE TRACE KEEP-OUT ZONES.
 - RECOMMENDED THRU HOLE PLATING INCLUDES HASL, OSP, OR IMMERSION Au, Ag OR Sn.
 - 1.57 [0.062] MINIMUM PCB THICKNESS FOR SINGLE SIDED USE.
 - PCB THICKNESS VARIATION MUST BE CONSIDERED WHEN DETERMINING BEZEL OPENING, SIZE AND LOCATION.

SYMBOLS	THIS DRAWING CONTAINS INFORMATION THAT IS PROPRIETARY TO MOLEX ELECTRONIC TECHNOLOGIES, LLC AND SHOULD NOT BE USED WITHOUT WRITTEN PERMISSION		CURRENT REV DESC: UPDATE NOTES 5 FOR CLARIFICATION SHALL MATE GEN 2.0 BIPASS WITH GEN 2.0 PLUG		
	DIMENSION UNITS	SCALE			
▽ = 0	mm	1:1			EC NO: 701299 DRWN: LLI05 2022/03/02 CHK'D: BCHEN06 2022/04/08 APPR: BCHEN06 2022/04/08
▽ = 0	GENERAL TOLERANCES (UNLESS SPECIFIED)				
▽ = 0	ANGULAR TOL ± °				INITIAL REVISION: DRWN: SVANG01 2018/06/12 APPR: ADTUCKER 2018/11/09
▽ = 0	4 PLACES ±				
▽ = 0	3 PLACES ±				PRODUCT CUSTOMER DRAWING DOCUMENT NUMBER: 2084261000 DOC TYPE: PSD DOC PART: 000 REVISION: G
▽ = 0	2 PLACES ± 0.13				
▽ = 0	1 PLACE ± 0.25				MATERIAL NUMBER: 208426 CUSTOMER: GENERAL MARKET SHEET NUMBER: 6 OF 9
▽ = 0	0 PLACES ±				
■ = 0	DRAFT WHERE APPLICABLE MUST REMAIN WITHIN DIMENSIONS		THIRD ANGLE PROJECTION	DRAWING: D-SIZE	SERIES: 208426

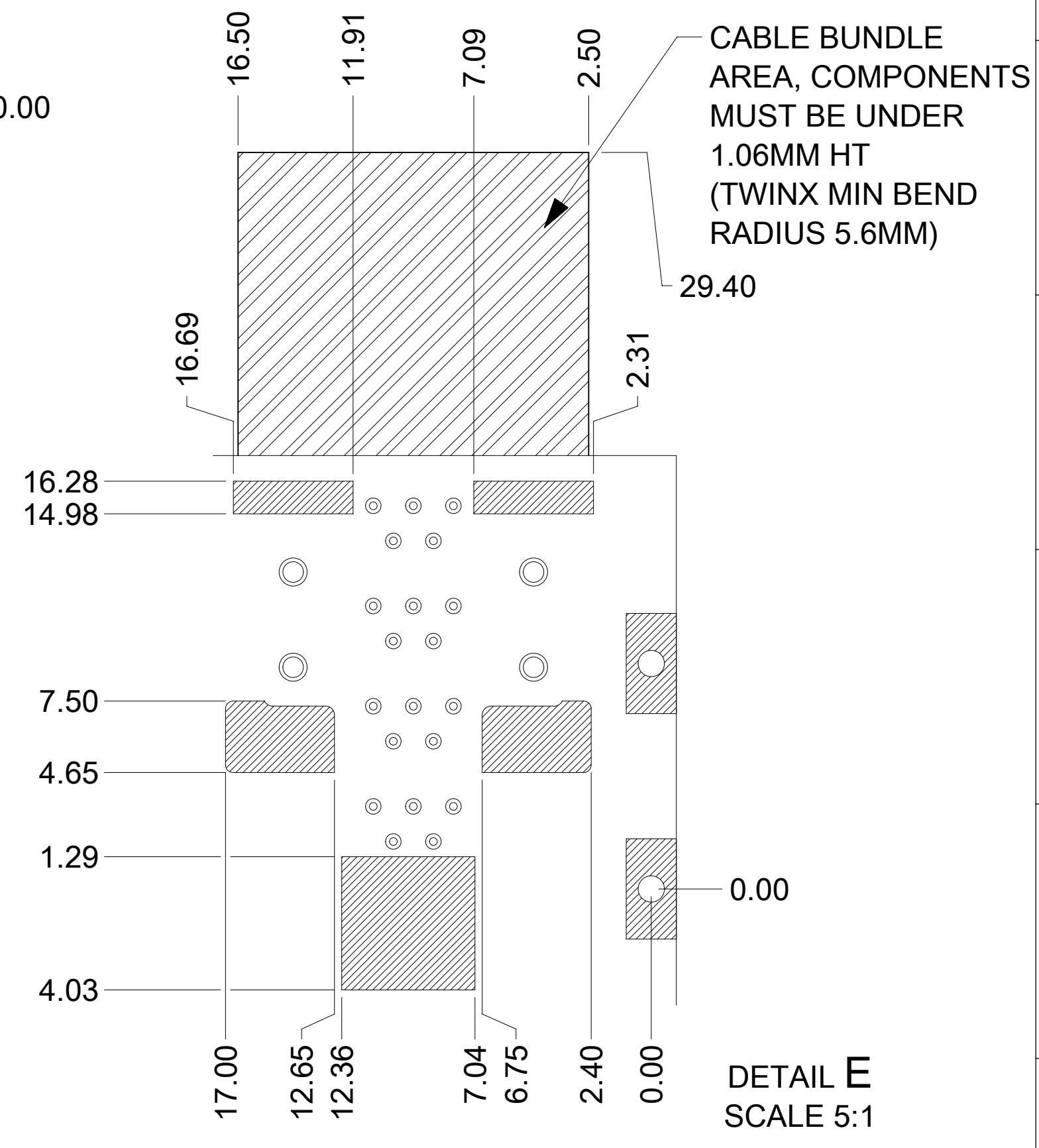
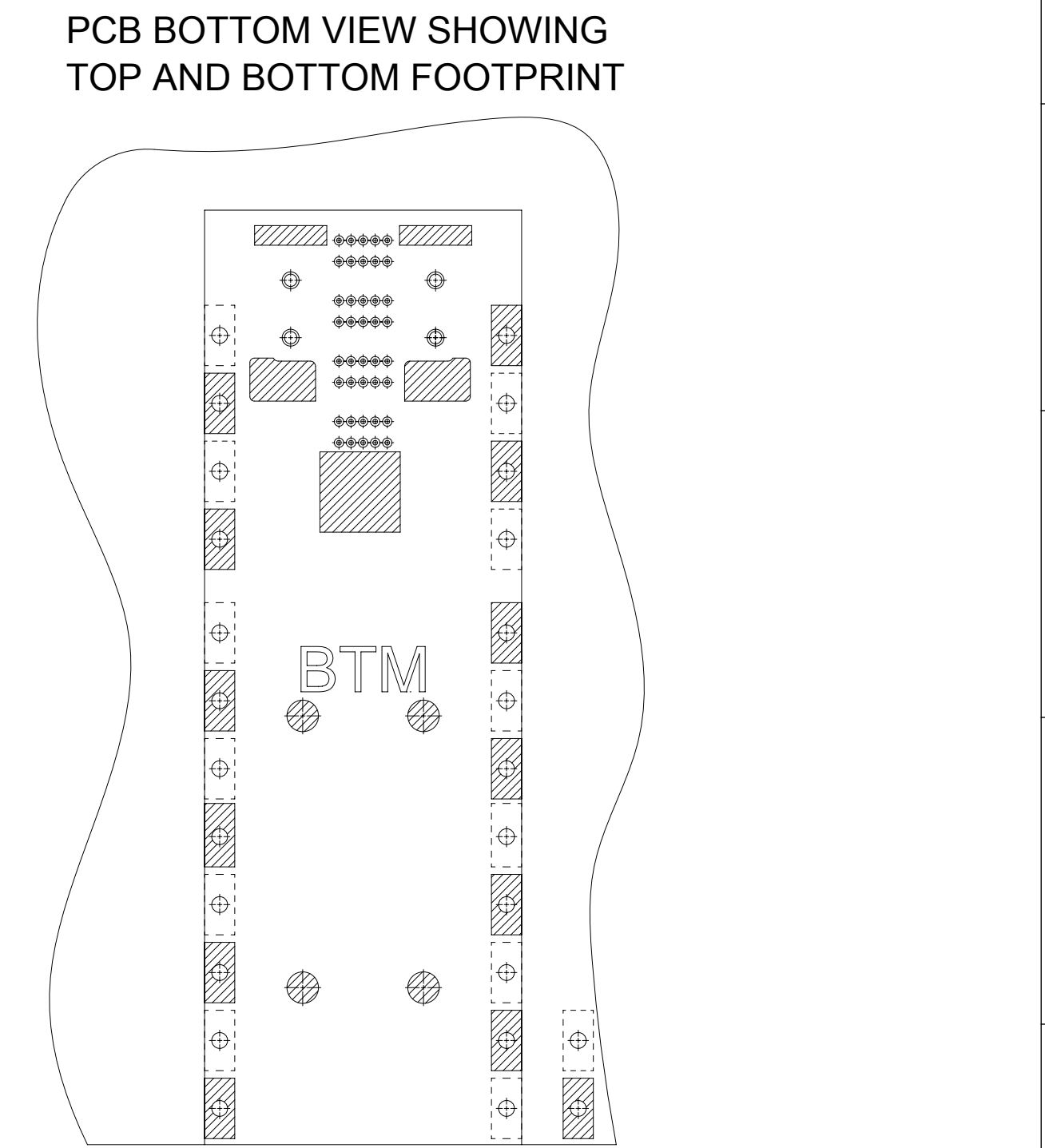
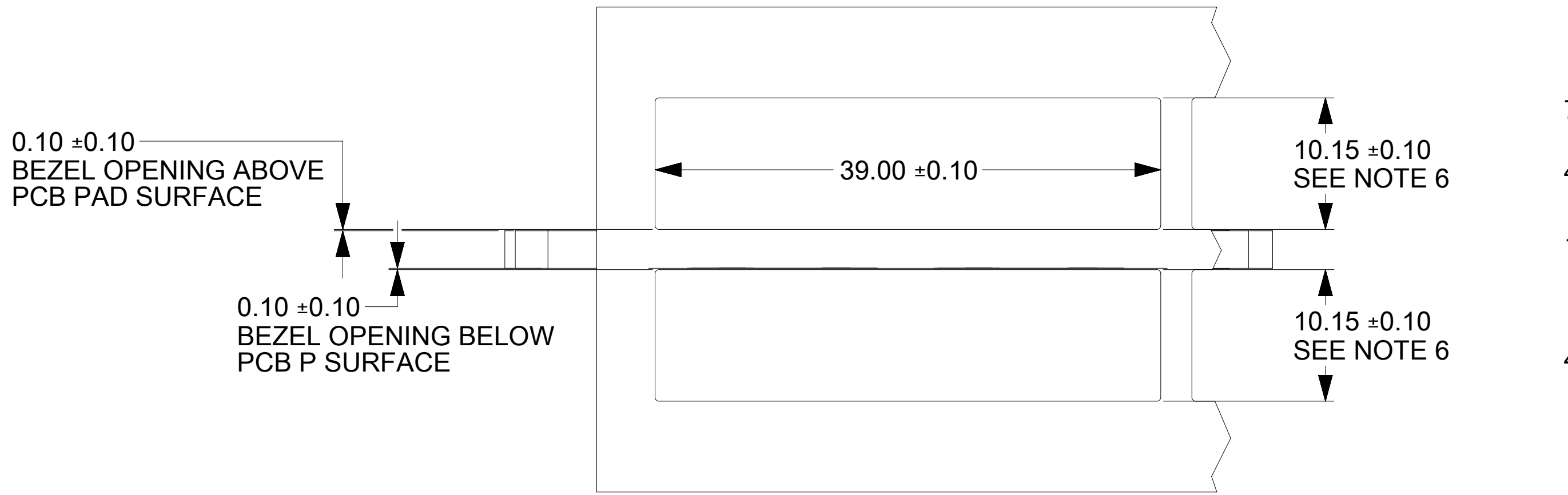
PCB FOOTPRINT BOTTOM OF BOARD



1X1 PCB LYOUT



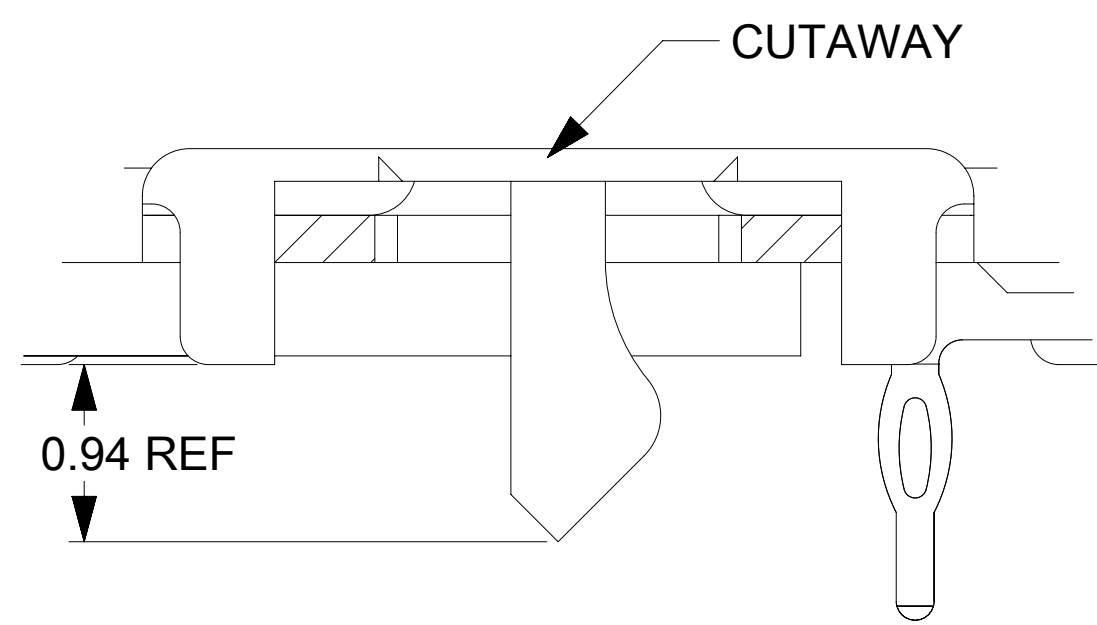
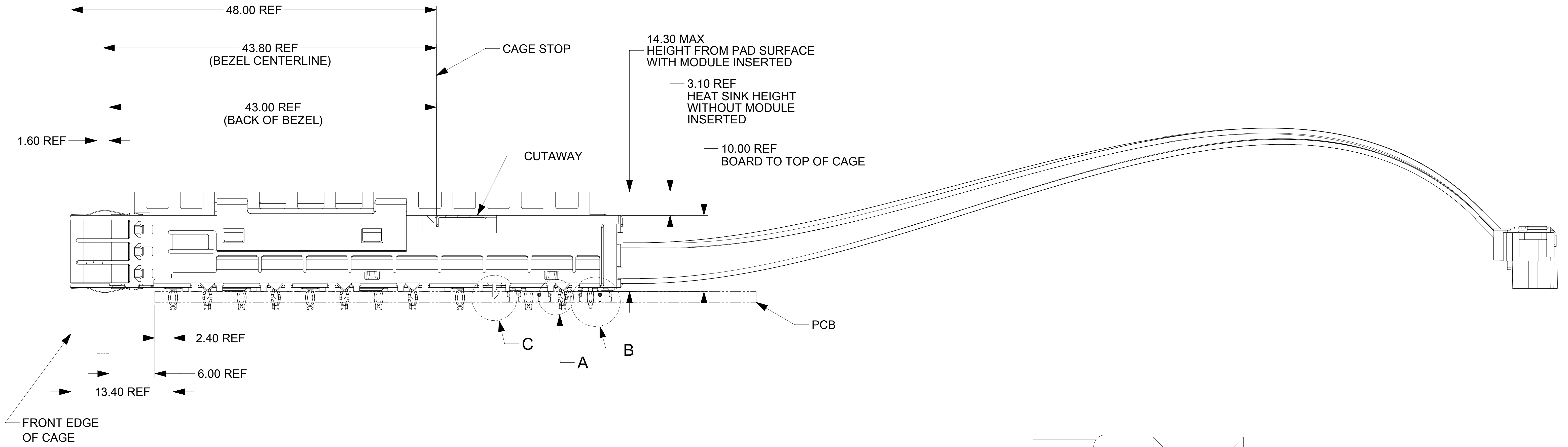
1X2 PCB LYOUT



- NOTES:
- DASHED LINES INDICATE THE CONNECTOR OUTLINE, THIS AREA IS A COMPONENT KEEP-OUT ZONE.
 - CROSS HATCHED AREAS DENOTE WHERE CAGE OR CONNECTOR HOUSINGS CAN CONTACT THE BOARD. THESE AREAS ARE TRACE KEEP-OUT ZONES.
 - RECOMMENDED THRU HOLE PLATING INCLUDES HASL, OSP, OR IMMERSION Au, Ag OR Sn.
 - 1.57 [0.062] MINIMUM PCB THICKNESS FOR SINGLE SIDED USE.
 - PCB THICKNESS VARIATION MUST BE CONSIDERED WHEN DETERMINING BEZEL OPENING, SIZE AND LOCATION.

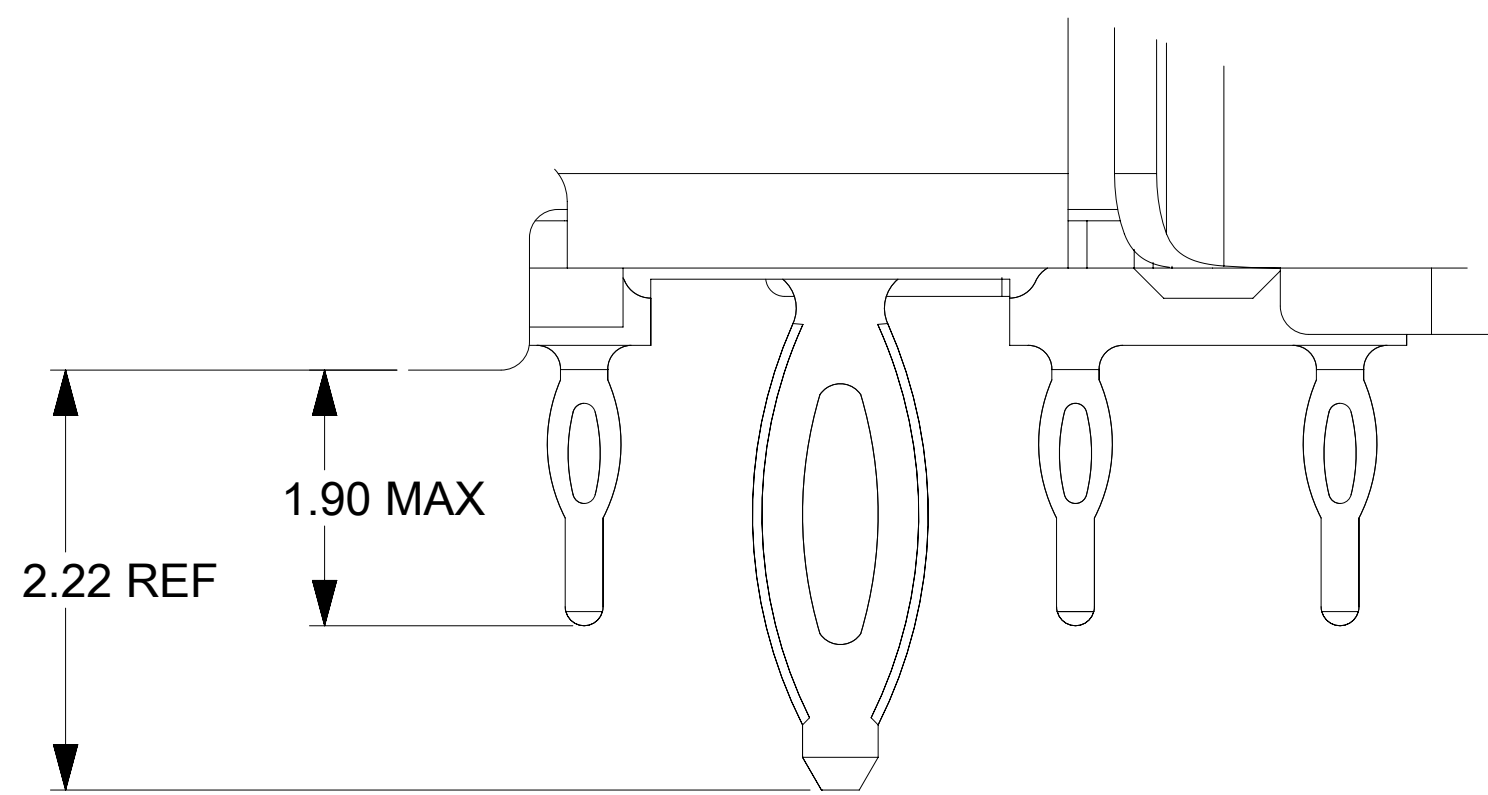
SYMBOLS		THIS DRAWING CONTAINS INFORMATION THAT IS PROPRIETARY TO MOLEX ELECTRONIC TECHNOLOGIES, LLC AND SHOULD NOT BE USED WITHOUT WRITTEN PERMISSION	
▽ = 0	DIMENSION UNITS	SCALE	CURRENT REV DESC: UPDATE NOTES 5 FOR CLARIFICATION SHALL MATE GEN 2.0 BIPASS WITH GEN 2.0 PLUG
▽ = 0	mm	1:1	EC NO: 701299
▽ = 0	GENERAL TOLERANCES (UNLESS SPECIFIED)		DRWN: LLI05 2022/03/02
▽ = 0	ANGULAR TOL	± °	CHK'D: BCHEN06 2022/04/08
▽ = 0	4 PLACES	±	APPR: BCHEN06 2022/04/08
▽ = 0	3 PLACES	±	INITIAL REVISION:
▽ = 0	2 PLACES	± 0.13	DRWN: SVANG01 2018/06/12
▽ = 0	1 PLACE	± 0.25	APPR: ADTUCKER 2018/11/09
▽ = 0	0 PLACES	±	DRAFT WHERE APPLICABLE MUST REMAIN WITHIN DIMENSIONS
▽ = 0	THIRD ANGLE PROJECTION	DRAWING	SERIES
▽ = 0	⊕	D-SIZE	208426
DOCUMENT STATUS		MATERIAL NUMBER	
P1	RELEASE DATE	CUSTOMER	
P1	2022/04/08 04:59:14	GENERAL MARKET	
DOCUMENT NUMBER		DOC TYPE DOC PART REVISION	
2084261000		PSD 000 G	
SHEET NUMBER		7 OF 9	

CAGE DETAIL



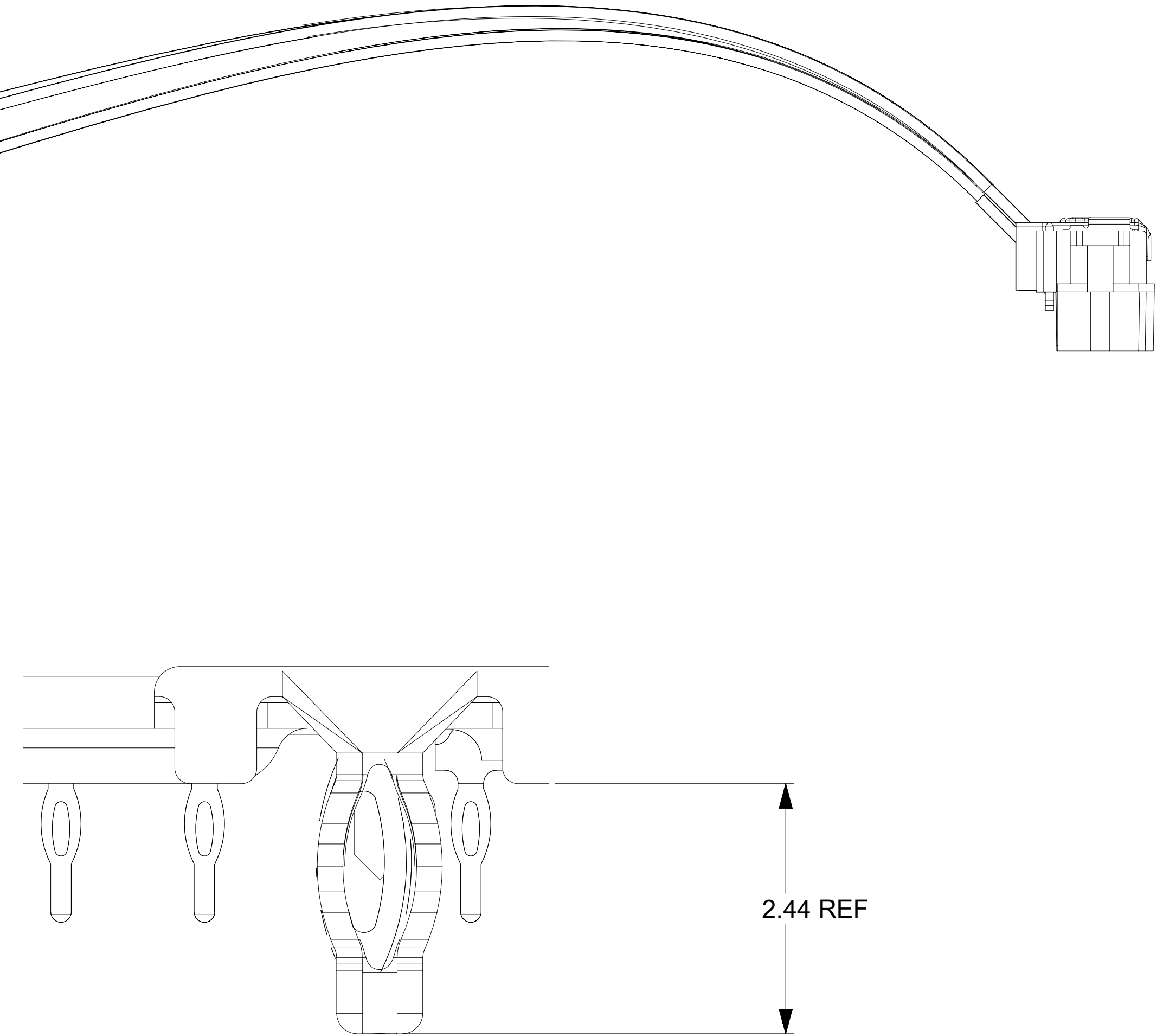
1X2 CENTER ROW FEET

DETAIL C
SCALE 25:1



POWER, LOW SPEED SIGNAL, AND GROUND PINS

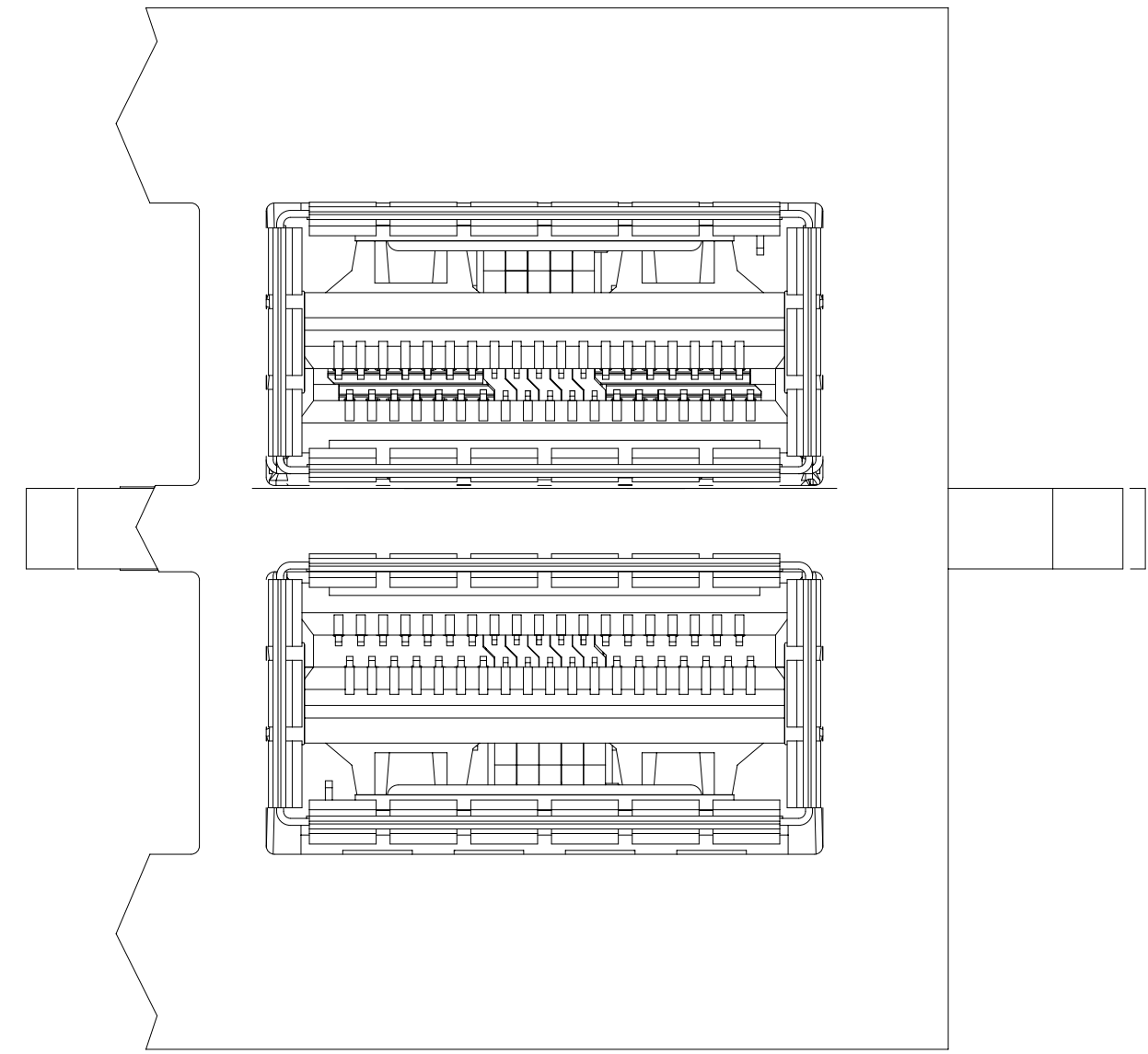
DETAIL B
SCALE 25:1



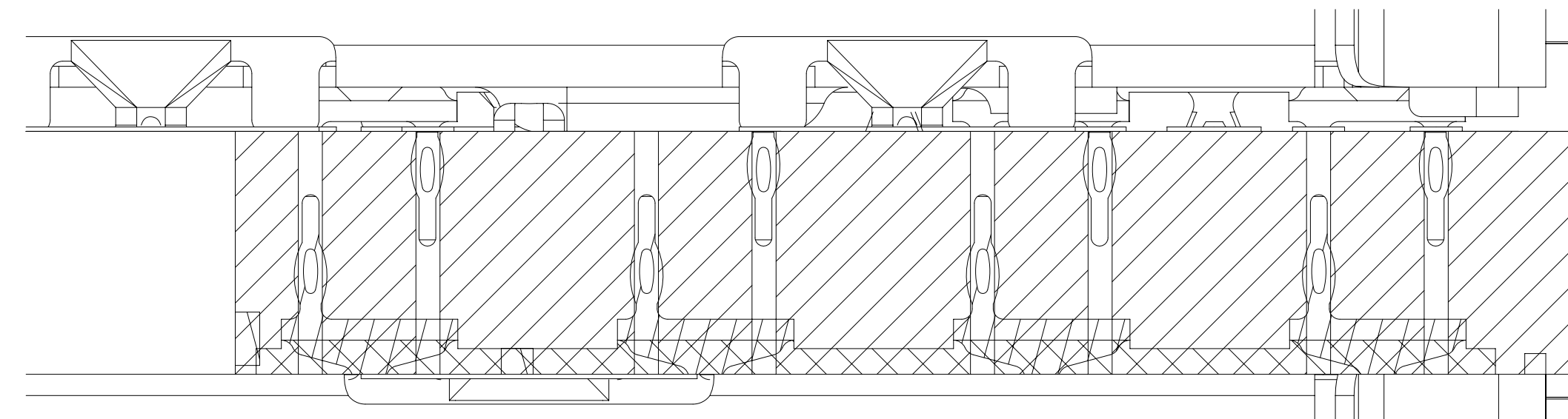
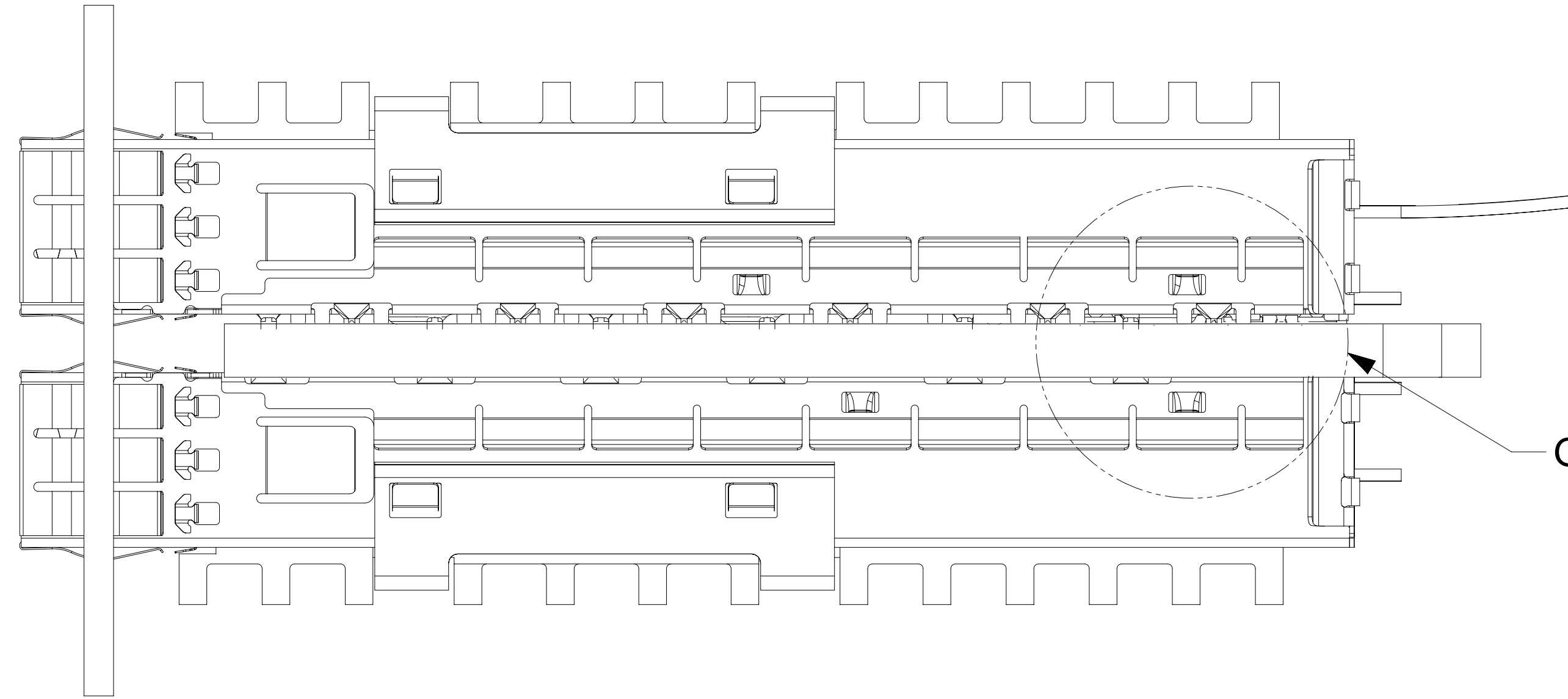
DETAIL A
SCALE 25:1
CAGE ASSEMBLY 1X1 AND 1X2 USE 3D FEET

SYMBOLS		THIS DRAWING CONTAINS INFORMATION THAT IS PROPRIETARY TO MOLEX ELECTRONIC TECHNOLOGIES, LLC AND SHOULD NOT BE USED WITHOUT WRITTEN PERMISSION										
	= 0	DIMENSION UNITS	SCALE	CURRENT REV DESC: UPDATE NOTES 5 FOR CLARIFICATION SHALL MATE GEN 2.0 BIPASS WITH GEN 2.0 PLUG							 ZQSFP BIPASS P2B 1XN POWER TO BOARD	
	= 0	mm	1:1	GENERAL TOLERANCES (UNLESS SPECIFIED)								
	= 0	ANGULAR TOL	± °	EC NO: 701299							DOCUMENT NUMBER	
	= 0	4 PLACES	±	DRWN: LLI05 2022/03/02							DOC TYPE	
	= 0	3 PLACES	±	CHK'D: BCHEN06 2022/04/08							DOC PART	
	= 0	2 PLACES	± 0.13	APPR: BCHEN06 2022/04/08							REVISION	
	= 0	1 PLACE	± 0.25	INITIAL REVISION:							2084261000	
	= 0	0 PLACES	±	DRWN: SVANG01 2018/06/12							PSD 000 G	
	= 0	DRAFT WHERE APPLICABLE MUST REMAIN WITHIN DIMENSIONS	THIRD ANGLE PROJECTION	DRAWING	SERIES	MATERIAL NUMBER				CUSTOMER	SHEET NUMBER	
	= 0			D-SIZE	208426	SEE P/N TABLE				GENERAL MARKET	8 OF 9	

TOP OF BOARD
PN# 20842610**



BOTTOM POSITION
PN# 20842615**



DETAIL G
CUTAWAY DOWN TO SIGNAL PINS
SCALE 15:1

SYMBOLS = 0 = 0 = 0 = 0 = 0 = 0 = 0 = 0 = 0 = 0	THIS DRAWING CONTAINS INFORMATION THAT IS PROPRIETARY TO MOLEX ELECTRONIC TECHNOLOGIES, LLC AND SHOULD NOT BE USED WITHOUT WRITTEN PERMISSION		mm 5:1 SCALE		CURRENT REV DESC: UPDATE NOTES 5 FOR CLARIFICATION SHALL MATE GEN 2.0 BIPASS WITH GEN 2.0 PLUG			
	GENERAL TOLERANCES (UNLESS SPECIFIED)		EC NO: 701299 DRWN: LLI05 2022/03/02 CHK'D: BCHEN06 2022/04/08 APPR: BCHEN06 2022/04/08		ZQSFP BIPASS P2B 1XN POWER TO BOARD			
	ANGULAR TOL ± °		INITIAL REVISION:		PRODUCT CUSTOMER DRAWING		DOCUMENT NUMBER DOC TYPE DOC PART REVISION	
	4 PLACES ±		DRWN: SVANG01 2018/06/12 APPR: ADTUCKER 2018/11/09		2084261000 PSD 000 G		MATERIAL NUMBER CUSTOMER SHEET NUMBER	
	3 PLACES ±		DRAFT WHERE APPLICABLE MUST REMAIN WITHIN DIMENSIONS		THIRD ANGLE PROJECTION DRAWING SERIES		GENERAL MARKET 9 OF 9	
	2 PLACES ± 0.13				D-SIZE 208426			
	1 PLACE ± 0.25							
	0 PLACES ±							