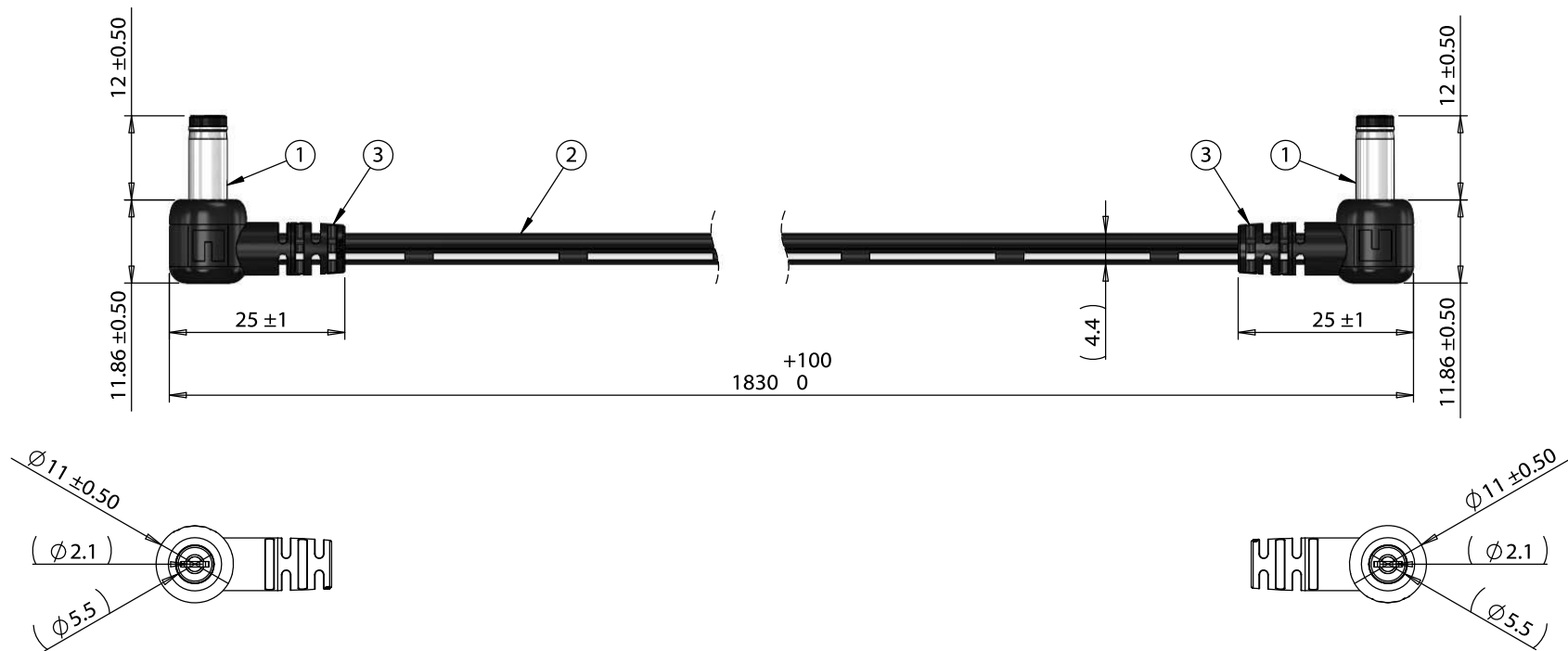
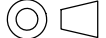


| ITEM NO. | PART NUMBER | DESCRIPTION | QTY. | COMPONENT NOTES |
|----------|-------------|--|------|-----------------|
| 1 | 50-00186 | Connector, dc plug, 5.5x2.1xL20.5 mm, molding style, spring contacts | 2 | |
| 2 | 30-00395 | Wire, 2C TS, 18 AWG, UL2468, 300V, 80C, 4.4 mm, VW-1, PVC, 87A | 1 | |
| 3 | 24-00006 | Overmold, PVC | 2 | |



Notes:
Functionally equivalent components may be substituted

| Wiring Diagram | | |
|----------------|-------------------|----------|
| 50-00186 | wire color | 50-00186 |
| center | black with stripe | center |
| sleeve | black | sleeve |

| | | | | | |
|-----------|-----------|-----------------|--|---|---|
| Revision: | Date: | Description: | Prepared: | Notes: RoHS compliant Function test: no open, no short circuit, no intermittent | <h1>TENSILITY</h1> tel 1.541.323.3228 800 877.670.7118 fax 1.541.323.4202 web tensility.com |
| A | 7/28/2017 | Initial release | PS Digitally signed by PS Date: 2017.07.28 15:32:01 -07'00' | | |
| | | | Verified: LA Digitally signed by LA Date: 2017.07.28 15:58:45 -07'00' | | |
| | | | Dimensions are in millimeters. Tolerances: X: ± 0.5 mm X.X: ± 0.3 mm X.XX: ± 0.05 mm | | |
| | | | Description: | Description: Cable, 1830 mm, 5.5x2.1x12 mm 90° 50-00186 dc plug to same, 18 AWG, UL2468, 30-00395 wire | Size: A |
| | | | | | Part number: 10-02575 |
| | | | | | Scale: 1:1 |
| | | | | |  |
| | | | | | Sheet 1 of 1 |