

Specification Status: RELEASED

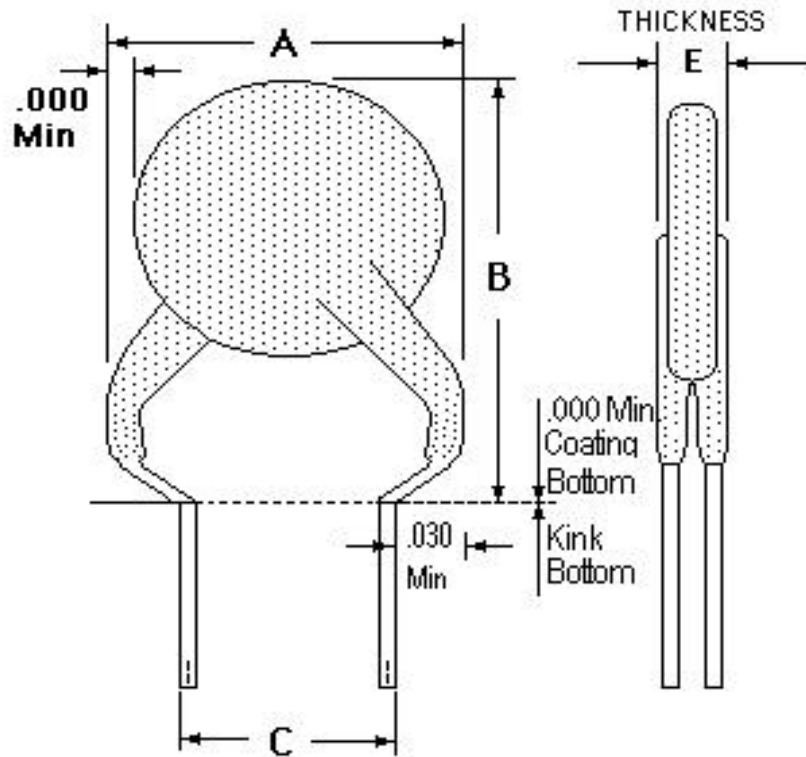
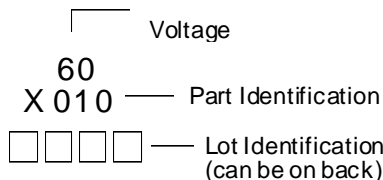
Electrical Rating

Voltage: 60V MAX
Current: 40A MAX

Insulating Material:
 Cured, Flame Retarded Epoxy Polymer
 meets UL94 V-0 Requirements

Lead Material:
 24 AWG Solder coated nickel-copper alloy

Marking:



C
 CENTER TO CENTER
 NOTE: BOTTOM OF COATING NOT
 TO GO BELOW BOTTOM OF KINK

TABLE I. DIMENSIONS:

| | A | | B | | C | | D | | E | | F |
|------|-----|--------|-----|--------|--------|--------|--------|-----|-----|--------|-----|
| | MIN | MAX | MIN | MAX | MIN | MAX | MIN | MAX | MIN | MAX | TYP |
| mm: | -- | 8.9 | -- | 11.2 | 4.3 | 5.8 | 7.6 | -- | -- | 3.0 | -- |
| in*: | -- | (0.35) | -- | (0.44) | (0.17) | (0.23) | (0.30) | -- | -- | (0.12) | -- |

*Rounded off approximation

TABLE II. PERFORMANCE RATINGS:

| I _H RATED CURRENT | CURRENT RATINGS | | | | | | TIME TO TRIP | INITIAL RESISTANCE VALUES | | ONE-HOUR POST-TRIP RESISTANCE STANDARD TRIP | NOMINAL TRIPPED STATE POWER DISSIPATION |
|------------------------------------|-------------------|------|--------------------|------|--------------------|------|-----------------|---------------------------------|------|---|---|
| | AMPERES AT 0°C | | AMPERES AT 20°C | | AMPERES AT 60°C | | | OHMS AT 20°C | | | |
| | HOLD | TRIP | HOLD | TRIP | HOLD | TRIP | | MIN | MAX | | |
| .10 | .11 | .22 | .10 | .20 | .07 | .14 | 4.0 | 2.50 | 4.50 | 7.5 | .38 |

Recognitions: UL, CSA and TUV approved.
 Approved by UL as a current limiting impedance, per the 1996 NEC, Tables 11 (c) and 11 (b).
Reference Documents: PS300
Precedence: This specification takes precedence over documents referenced herein.
Effectivity: Reference documents shall be the issue in effect on the date of invitation for bid.
CAUTION: Operation beyond the rated voltage or current may result in rupture, electrical arcing or flame.