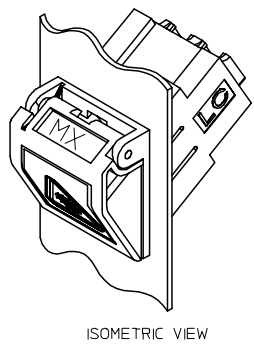
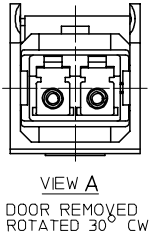
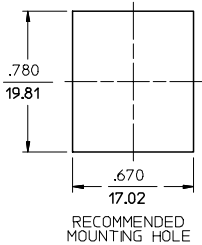
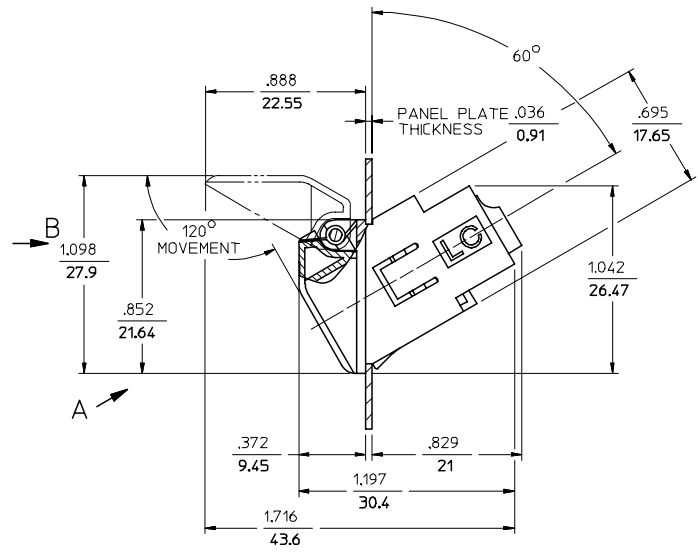
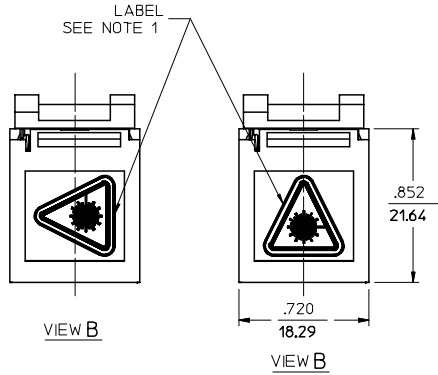


KIT P/N	SLEEVE MATERIAL
106004-3378	ZIRCONIA
106004-3379	PHOSPHOR BRONZE



NOTES:
1. LABEL TO BE INSTALLED BY CUSTOMER.

ENTER DESCRIPTION EC NO: MF2006-0262 DRAWN/PAC IFC I 2005/12/01 CHKD: 2005/12/01 APPR: JGUMIN 2005/12/01 REV: A	QUALITY SYMBOLS = 0 = 0	GENERAL TOLERANCES (UNLESS SPECIFIED)		DIMENSION STYLE		SCALE	DESIGN UNITS	THIRD ANGLE PROJECTION			
				IN/MM		2:1	INCH				
		4 PLACES	±	---	±	---	DRAWN BY	DATE	TITLE		
		3 PLACES	±	---	±	---	CHECKED BY		DATE		
2 PLACES	±	---	±	---	APPROVED BY		DATE				
1 PLACE	±	---	±	---	ANGULAR ±1/2°						
DRAFT WHERE APPLICABLE MUST REMAIN WITHIN DIMENSIONS		MATERIAL NO.		DOCUMENT NO.		SHEET NO.					
		SEE TABLE		SD-106004-337X		1 OF 01					
		SIZE C		THIS DRAWING CONTAINS INFORMATION THAT IS PROPRIETARY TO MOLEX INCORPORATED AND SHOULD NOT BE USED WITHOUT WRITTEN PERMISSION							