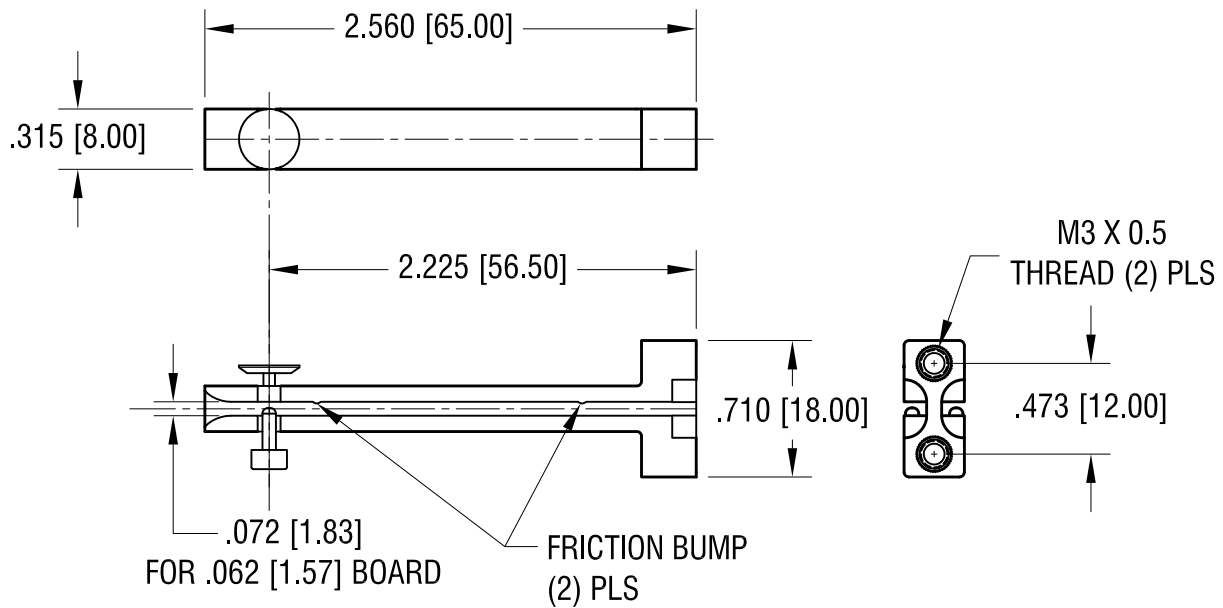
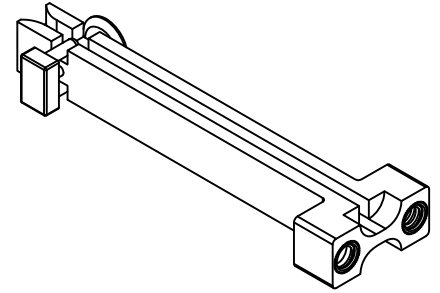


THIS DOCUMENT IS THE PROPERTY OF KEYSTONE ELECTRONICS CORP. AND SHALL NOT BE REPRODUCED, DISTRIBUTED OR USED AS A BASIS FOR MANUFACTURE WITHOUT PRIOR WRITTEN PERMISSION FROM KEYSTONE ELECTRONICS CORP.

ACTUAL SIZE



NOTE:

- 1. GUIDE: MAT'L- NYLON GLASS FILLED (COLOR-BLUE)
- 2. INSERT: MAT'L- BRASS FINISH- NICKEL PLATE

- 3. HARDWARE: MAT'L- STEEL FINISH- ZINC PLATE
- (2) PLS LOCKWASHER
- (2) PLS FLAT WASHER
- (2) PLS SCREW M3 x 8mm L,

5.21.21	IDENTIFY FRICTION BUMPS CHANGE AS PER ECN 21-045	B
8.05.15	ECN 15-075, ADD NOTE 3.	A
DATE	DESCRIPTION	REV.

KEYSTONE ELECTRONICS CORP.			
www.keyelco.com • NEW HYDE PARK, NY 11040 • Tel (516) 328-7500			
PART NAME		VERTICAL CARD GUIDE	
MATERIAL		AS NOTED	
FINISH		DRN BY	DATE
AS NOTED		NT	2.14.15
		APP'D	SCALE
		RH	1X
TOLERANCES	INCH [MM]	CODE	DWG NO.
DECIMAL	± .010 [± 0.25]	C	8646
ANGULAR	± 1°		
UNLESS OTHERWISE SPECIFIED			