

MIC-75M20

PCIE Expansion Module for MIC-7 Series

Embedded System

Startup Manual

Packing List

Before you begin installing your card, please make sure that the following items have been shipped:

- | | |
|--------------------------------|----------------------|
| 1. MIC-75M20 Module x1 | P/N: MIC-75M20-00A1E |
| 2. MIC-75M20 Startup Manual x1 | P/N: 20015M2000 |
| 3. Warranty Card | P/N: 2190000902 |
| 4. Card Clamp Pad x 4 | P/N: 1990024989T000 |
| 5. Wall-Mount BKT (Left) x1 | P/N: 1960070545N001 |
| 6. Wall-Mount BKT (Right) x1 | P/N: 1960070543N001 |

If any of these items are missing or damaged, please contact your distributor or sales representative immediately.

Note: Acrobat Reader is required to view any PDF file. Acrobat Reader can be downloaded at: get.adobe.com/reader (Acrobat is a trademark of Adobe)

Specifications

PCIE Slots

- **One PCIe16 socket**

Note 1: PCIe16 power consumes 35W.

- **One PCIe4 socket**

Note 2: PCIe4 supports 15W power consumption.

Note 3: MIC-75M20 does not support MIC-7300 series systems.

Environment

- **Operating Temperature:**

-20 ~ 60° C with 0.7 m/sec air flow: with 1 x Industrial SSD without PC expansion boards

0 ~ 45° C with 0.7 m/sec air flow: with 1 x 2.5" HDD without PC expansion boards

- **Storage Temperature:** - 40 ~ 85° C (-40 ~ 185° F)

- **Relative Humidity:** 95% @ 40° C (non-condensing)

Mechanical

- **Dimensions (H x W x D):** 92 x 90 x 230 mm

Note 1: Please add a fan to i-module if the add-on card total power consumption is over 45W.

For more information on this and other Advantech products, please visit our website at:

<http://www.advantech.com>

<http://www.advantech.com/eplatform>

For technical support and service, please visit our support website at:

<http://support.advantech.com.tw/support/default.aspx>

This manual is for the MIC-75M20 Series Rev. A1.

Part No. 20015M2000

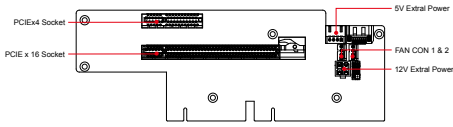
1st Edition

Printed in China

January 2016

Jumpers and Connectors

The table below lists the functions of each of the connectors.



Connectors

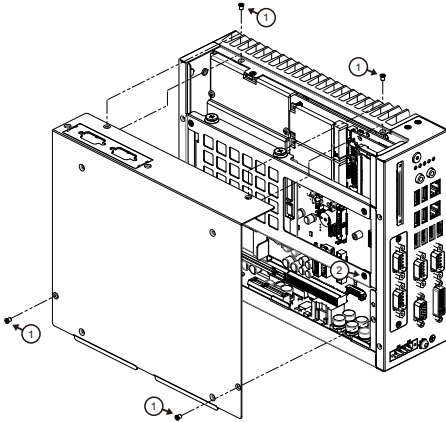
No.	Item	Function
1	SATAPWR1	4 Pin Power connector (5V)
2	PWR2	4 Pin Power connector (12V)
3	FAN 1	4 Pin FAN connector
4	FAN 2	4 Pin FAN connector
5	PCIEx4_1	PCIEx4 Socket
6	PCIEx16_1	PCIEx16 Socket

Simple Maintenance Process

System Installation

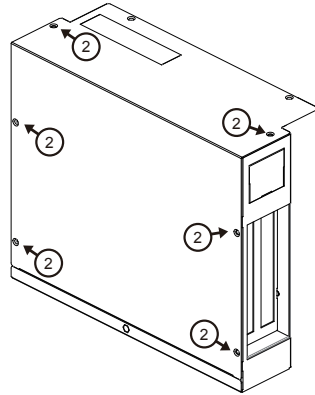
MIC-7 series i-module can assemble with all MIC-7 series IPC system.

1. Undo MIC-7 series system screws and remove the bottom cover.

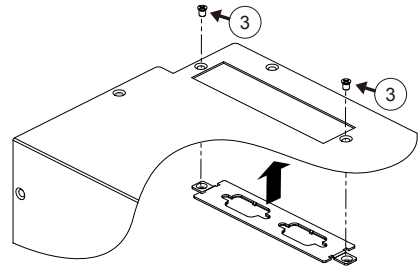


Simple Maintenance Process (Cont.)

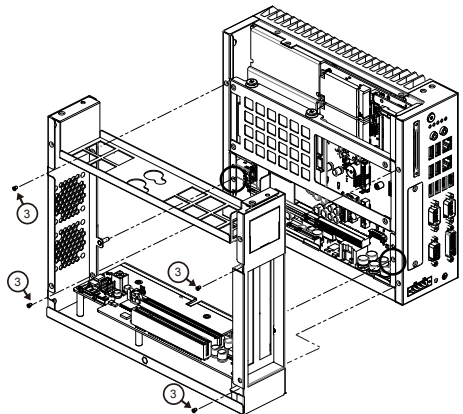
2. Undo 6x screws of MIC-75M20.



3. Remove i-door cover by MIC-7500 bottom cover and assemble and secure cover in i-module's bottom cover.

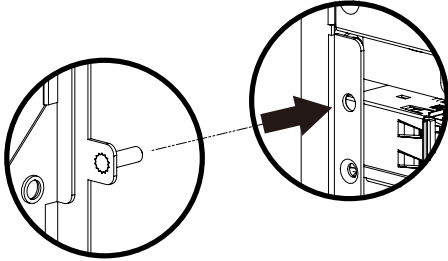


4. Assemble MIC-75M20 and MIC-7 series device and secure 4x screws.



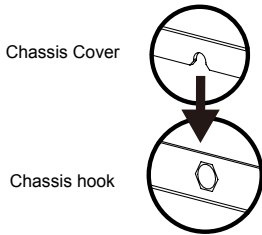
Simple Maintenance Process (Cont.)

Note: MIC-75M20 has 2 bolts which must be aligned with the holes on the device.



5. Replace the cover and secure with screws.

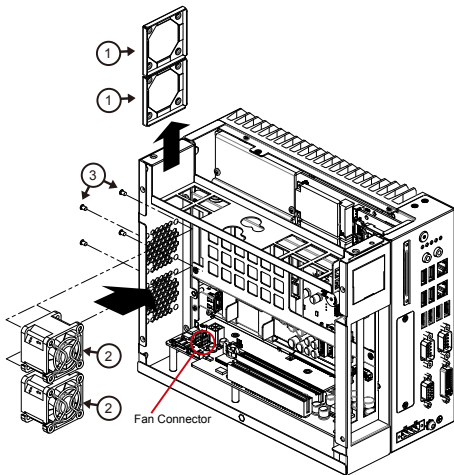
Note: The chassis cover has a notch designed in and it must mate with the hook on the chassis.



FAN Installation (Optional)

MIC-75M20 supports two 4x4CM fan spaces. If you want to install high performance expansion cards, (For example: graphics or a PoE card) or total power consumption is over 45W, please install a fan for thermal issues. A fan is an optional module. If your system needs a fan module, please contact your distributor or sales representative.

Fan Module P/N: 98R1752000E.



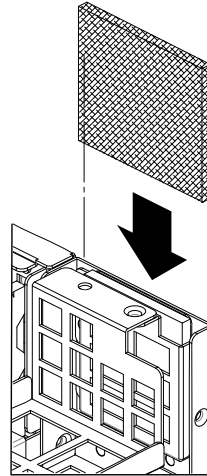
Simple Maintenance Process (Cont.)

1. Undo fan 1 & 2 covers.
2. Secure fan protection nets with 4 screws.
3. Assemble and secure the fan in the chassis with 4 screws.
4. Plug the fan power cable into the connector on the backplane board.

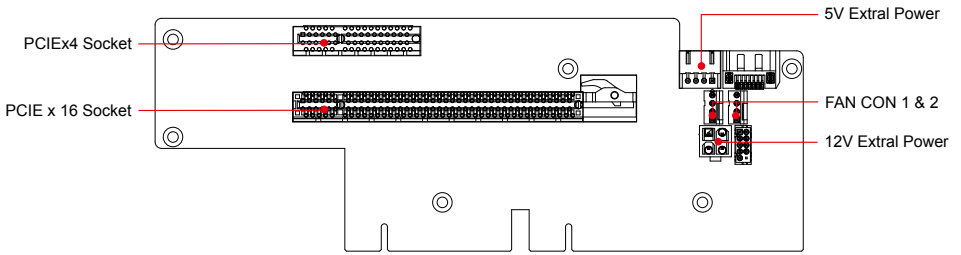
FAN Filter Installation

If your system has a fan installed, we recommend you to replace the system fan filter at regular intervals to ensure the stability of the system cooling.

1. Undo the system cover and remove the old fan filter.
2. Change new fan filter and replace system cover with screws.



IO Connectors



System Dimensions

