



VTB-SC-O

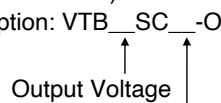
50W



FEATURES

- 12VDC Nom(DC9~18V)
- 24VDC Nom(DC19~36V)
- 48VDC Nom(DC38~63V)
- 110VDC Nom(DC85~160V)

PART No. Description: VTB__SC__-O



2 Year Warranty

Input Voltage (nominal)

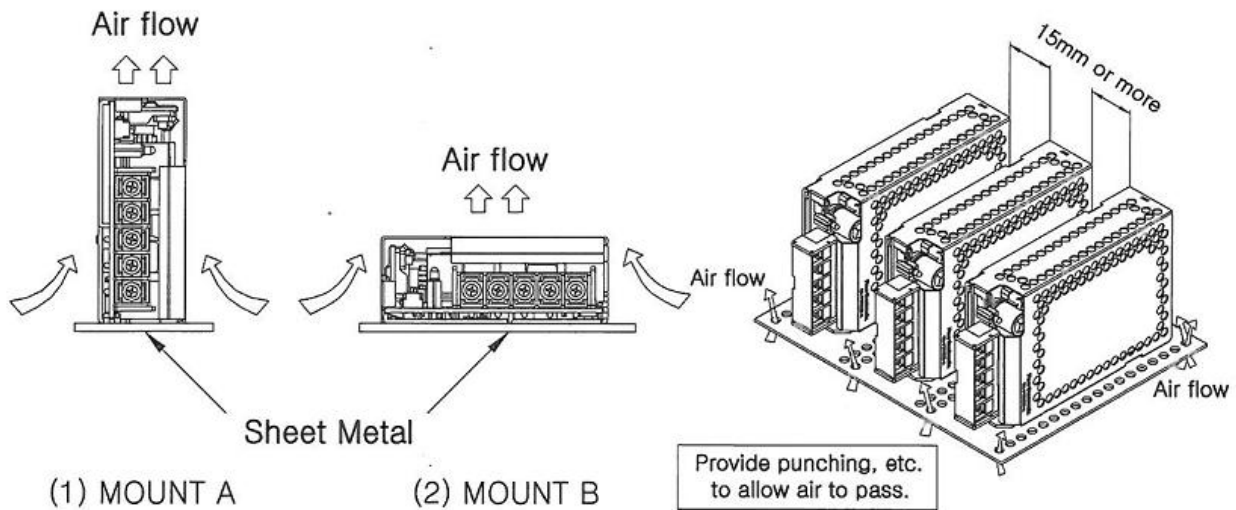
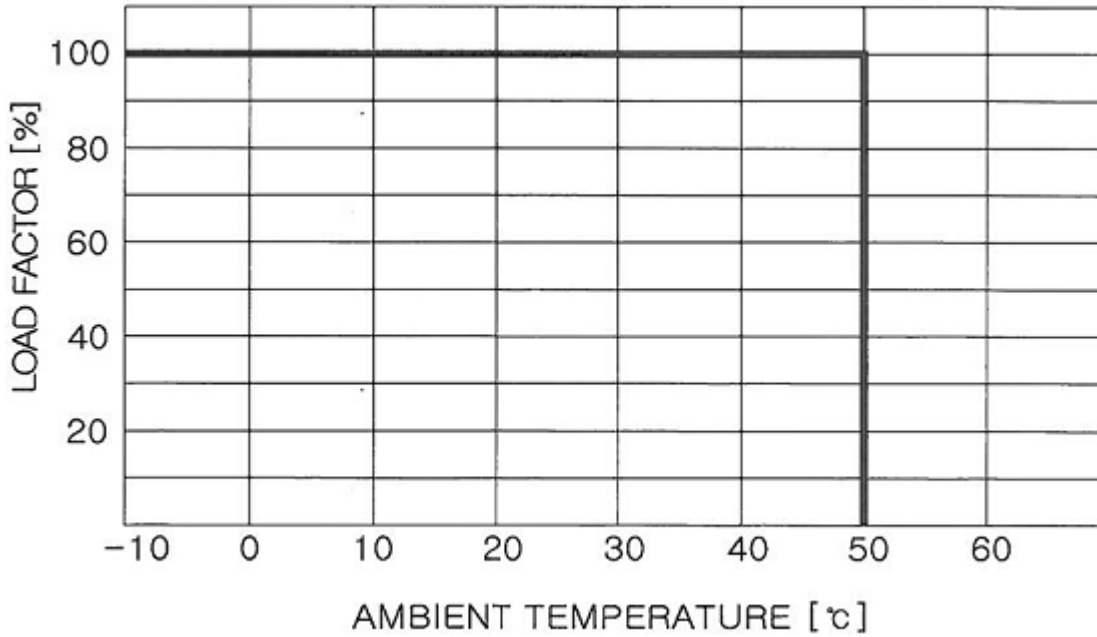
MODEL/CHANNEL		Unit	VTB05-SC-O	VTB12-SC-O	VTB15-SC-O	VTB24-SC-O	
OUTPUT (Single)	Output Voltage	Vdc	5	12	15	24	
	Output Current	A	10	4.2	3.4	2.5	
	Voltage Range	Vdc	4.95~5.05	11.88~12.12	14.85~15.15	23.76~24.24	
	Total Power	W	50	50.4	51	60	
	Line Regulation	mV	25	60	75	120	
	Load Regulation	mVp	50	120	150	240	
	Ripple	mVp-p	50	120	150	240	
	Ripple and Noise	mVp-p	100	170	200	290	
	Drift	mV	75	180	225	360	
	OVP	Vdc	5.75~7	13.8-16.8	17.25~21	26.4~33.6	
	OCP	A	11~13	4.6~5.5	3.7~4.4	2.8~3.3	
	Rise Time	-	500 max [DC IN 9V Io=100%]				
	Hold Up Time	mV	10 typ [DC IN 9V Io=100%]				
INPUT	Input Voltage 12V	Vdc	DC 12	DC 24	DC 48	DC 110	
	Input Voltage Range	Vdc	(9~18)	(19~36)	(38~63)	(85~160)	
	Current Typ.	A	8	3.8	2	0.85	
	Efficiency	%	70	75	78	80	
	Leakage	mA	3.5				
	Inrush Current	A	40(Ta=25°C, Io=100% at cold start)				
Environment	Operating Temperature	°C	-10~+50°C, 20~90% RH(Non condensing)				
	Storage Temperature	°C	-10~+70°C, 20~90% RH(Non condensing)				
	Input-Output	%	AC 1.5KV 1 min, cut-off: 20 mA/DC 500V100MΩ				
	Input-Frame Ground	%	AC 1.5KV 1 min, cut-off: 20 mA/DC 500V100MΩ				
	Output-Frame Ground	-	AC 500V 1 minute cut-off: 100mA, DC 500V100MΩ				
	Cooling	-	Convection				
Vibration	-	10~55Hz at 1G, 3 minutes period, 30 minutes along X, Y and Z axis					
Dimension	Size(WxLxH) / Weight	mm/g	97x37x178/400				

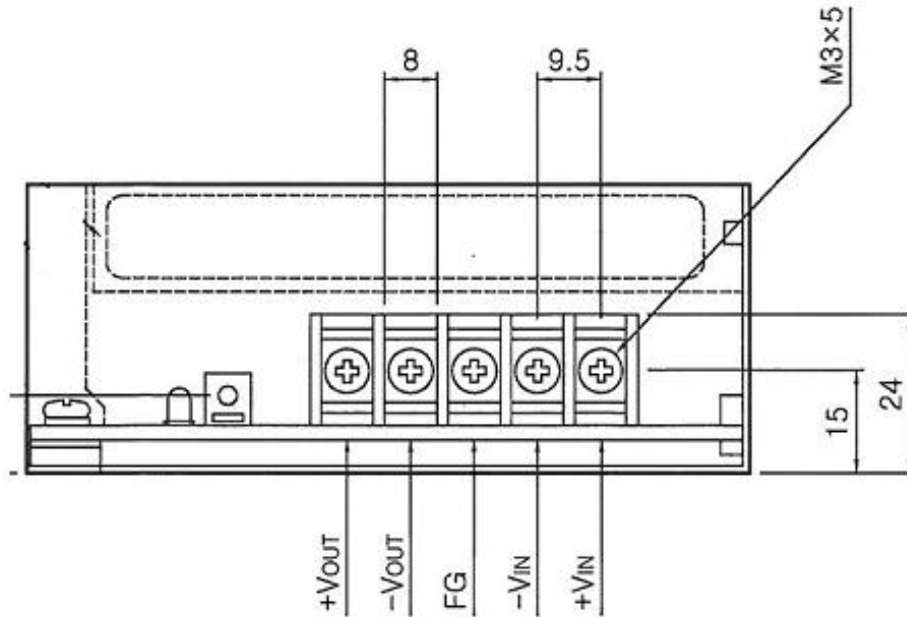




Output Derating Curve

50W





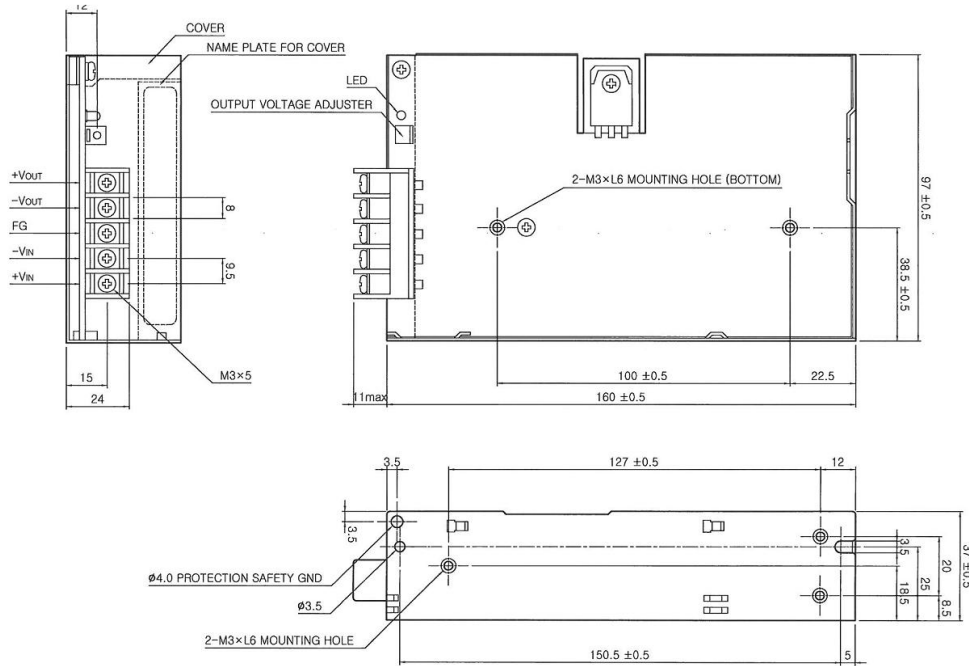
Mark	Pin Connection	Function
+Vin	DC Input (+)	DC Input Terminal (+) Fuse In Line
-VIN	DC Output (-)	DC Input Terminal (-)
F.G	Frame Ground	DC Ground Terminal/ Chassis Ground
+V	DC Output (+)	DC Output Terminal (+)
-V	DC Output (-)	DC Output Terminal (-)





Dimension Diagram (mm)

50W



Block Diagram

50W

