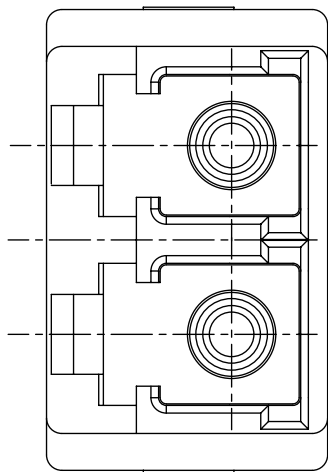
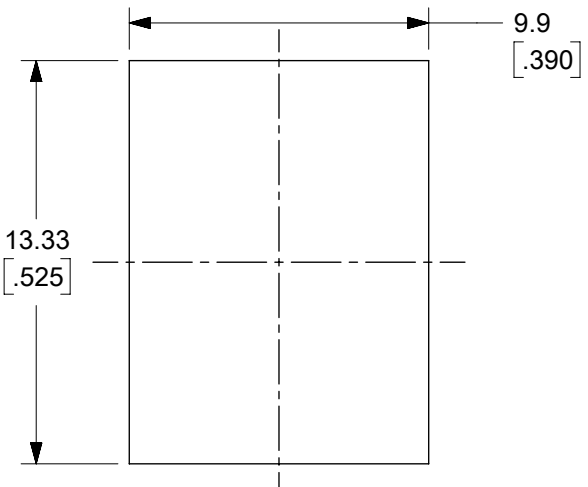
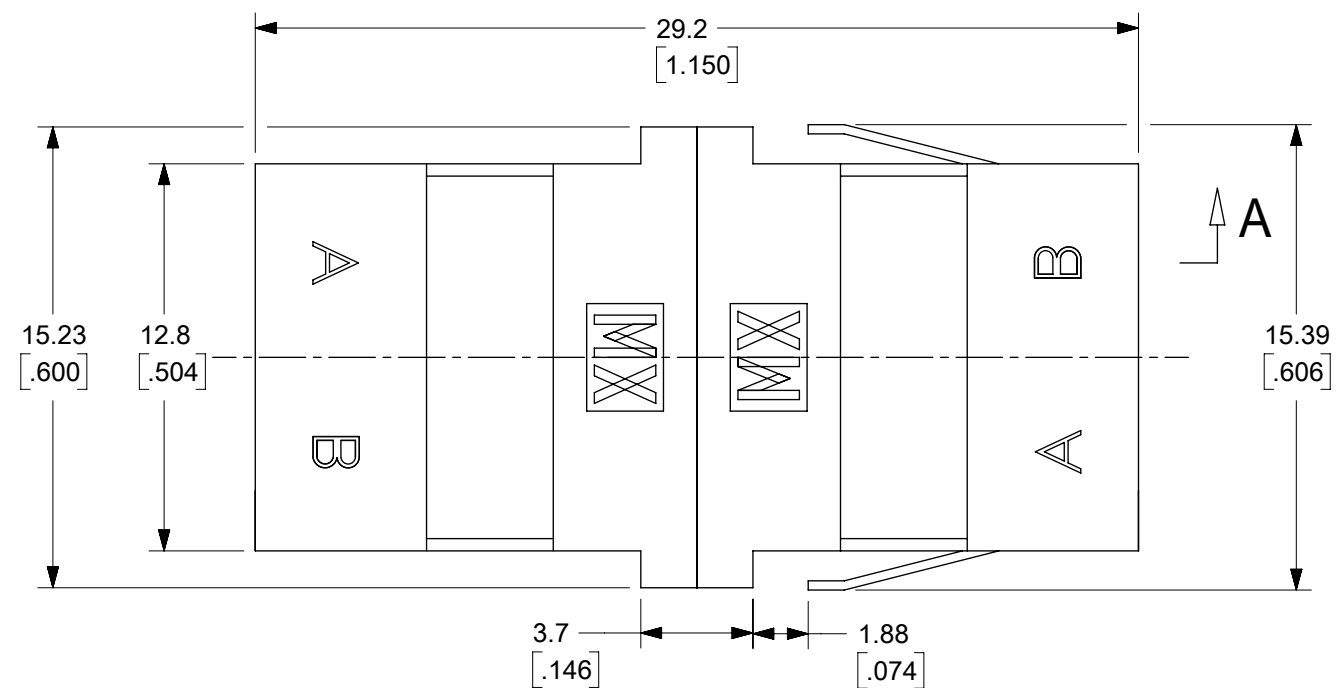


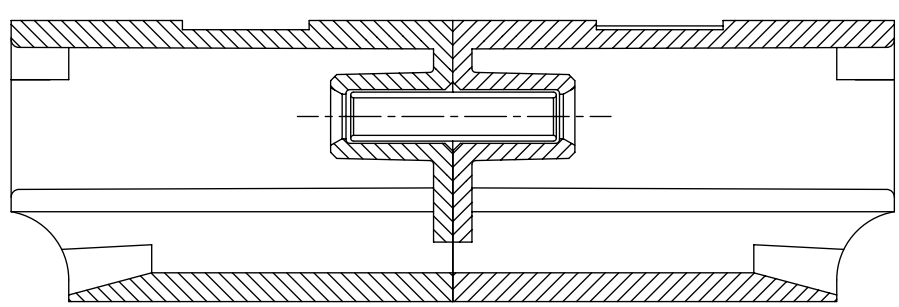
LC ADAPTER ASSY.P/N	ADAPTER COLOR	SPLIT SLEEVE	DUST CAP COLOR
106126-0410	BEIGE	ZR	WHITE
106126-0510	BLUE		
106126-1400			
106126-1415*			
106126-1416**			
106126-1450	GREEN		INDIGO BLUE (ANTI-STATIC)
106126-1460	BLUE		WHITE
106126-1410	BLACK		
106126-1420	BEIGE		
106126-1430	AQUA		
106126-3410	BLACK		



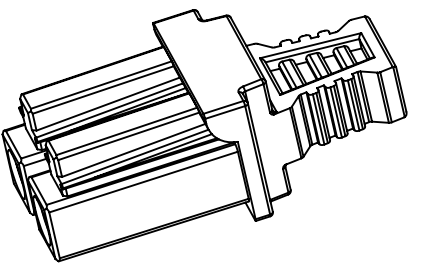
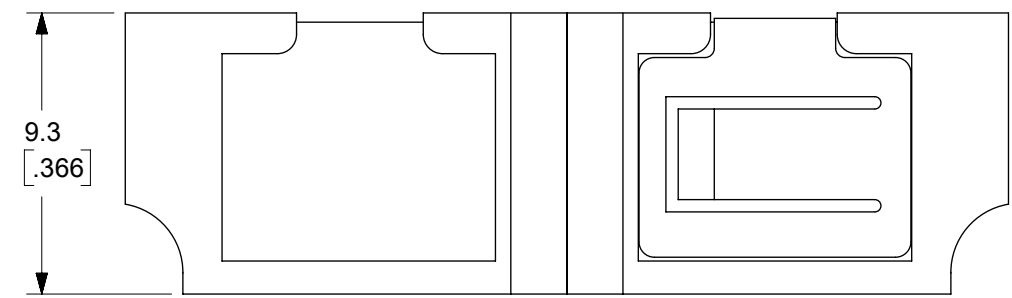
A ↑



RECOMMENDED MOUNTING CUTOUT FOR 0.063INCH(1.6MM) PANNEL



SECTION A-A



ISO VIEW FOR DUST CAP X2
SEE NOTE 2

- Notes:
- 1.ALL DIMENSIONS ARE FOR REFERENCE ONLY.
 - 2.DUST CAP NEED ASSEMBLY WITH ADAPTOR
 - *3. P/N 106126-1415 IS BULK PACKED IN QUANTITIES OF 100 PCS.
 - **4. P/N 106126-1416 IS BULK PACKED AS FOLLOWS: 500 pcs. OF ADAPTERS PER BAG.

THIS DRAWING CONTAINS INFORMATION THAT IS PROPRIETARY TO MOLEX ELECTRONIC TECHNOLOGIES, LLC AND SHOULD NOT BE USED WITHOUT WRITTEN PERMISSION									
DIMENSION UNITS	SCALE	CURRENT REV DESC:							
HYBRID	1:1	molex LC DUPLEX ADAPTER (SMALL FLANGE/SC FOOT PRINT) PRODUCT CUSTOMER DRAWING							
GENERAL TOLERANCES (UNLESS SPECIFIED)									
ANGULAR TOL	± 0.5°								
4 PLACES	±								
3 PLACES	±								
2 PLACES	±	EC NO: 703605	2022/04/01	DOCUMENT NUMBER: SD-106126-X4X0 DOC TYPE: PSD DOC PART: 001 REVISION: F1					
1 PLACE	±	DRWN: JHUANG18	2022/05/05						
0 PLACES	±	CHKD: IGUMIN	2022/05/05						
INITIAL REVISION:		APPR: IGUMIN	2022/05/05						
DRAFT WHERE APPLICABLE MUST REMAIN WITHIN DIMENSIONS		DRWN: PGIBLIN	2005/10/25	SERIES: 106126		MATERIAL NUMBER: SEE TABLE		CUSTOMER: GENERAL MARKET	
THIRD ANGLE PROJECTION		DRAWING: B-SIZE		SHEET NUMBER: 1 OF 1					