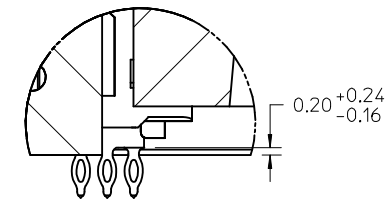
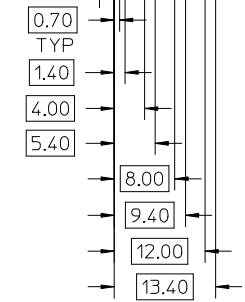
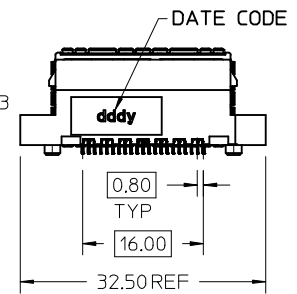
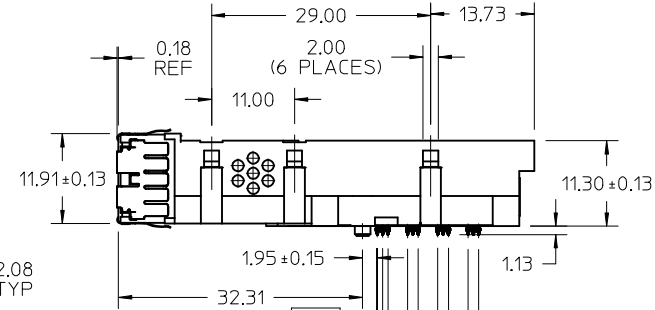
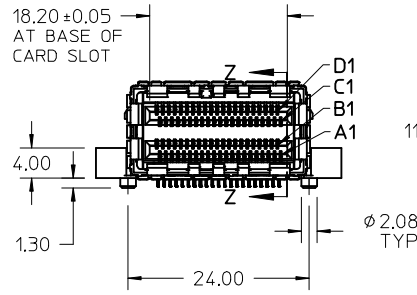
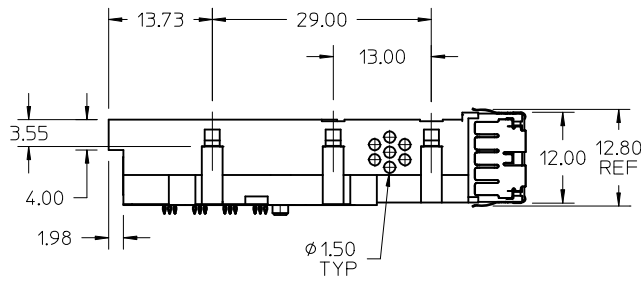
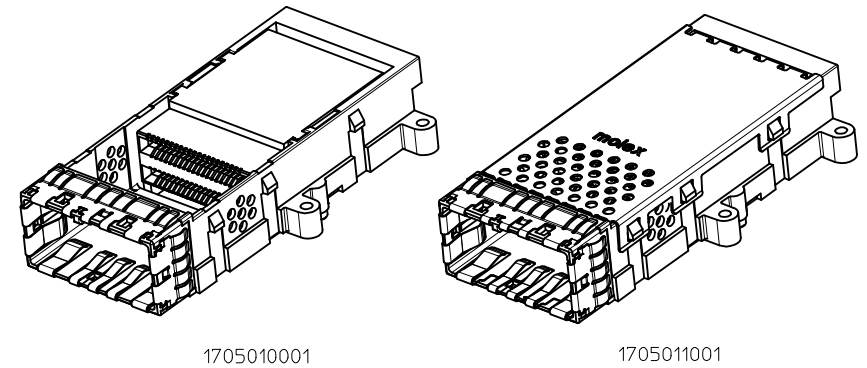
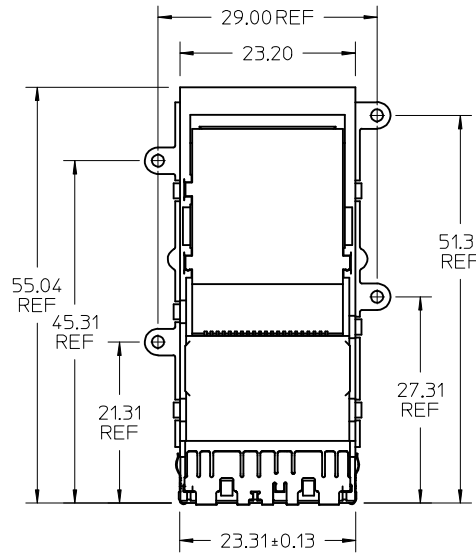
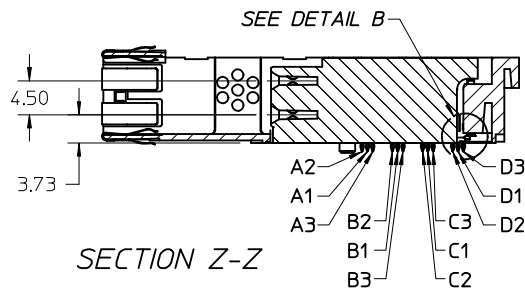


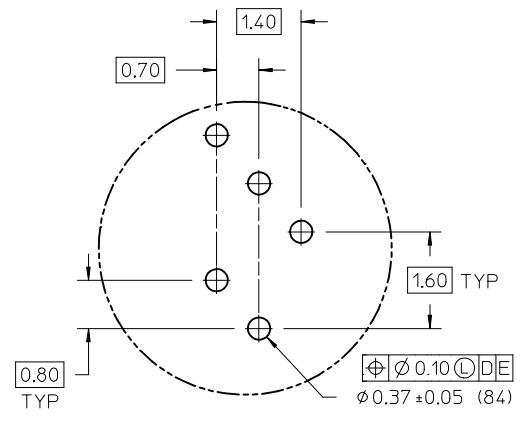
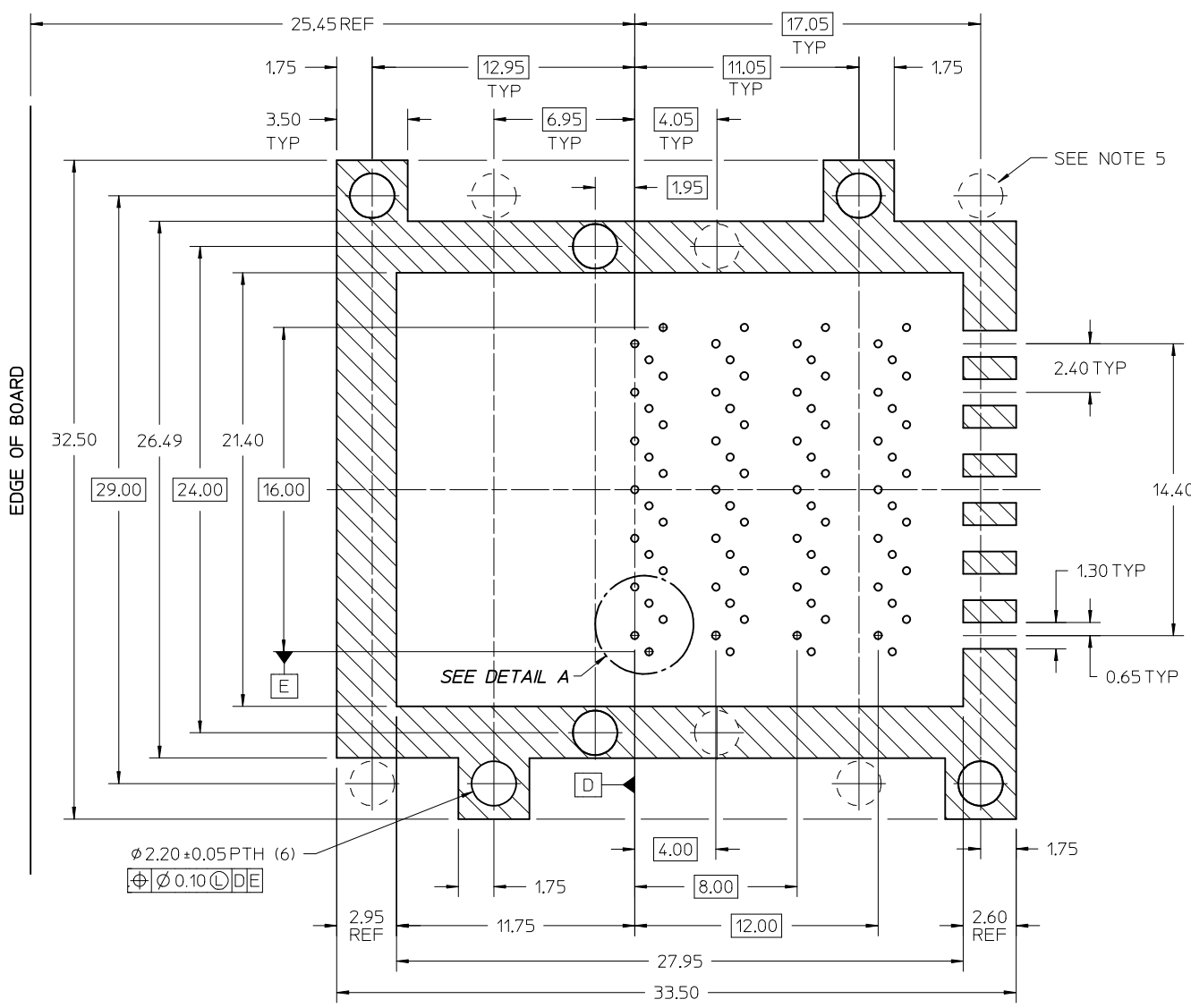
| MATERIAL | DESCRIPTION |
|------------|-------------|
| 1705010001 | NO COVER |
| 1705011001 | WITH COVER |



DETAIL B
SCALE 10:1

- NOTES:**
- MATERIALS:**
CONNECTOR HOUSING: HIGH TEMPERATURE THERMOPLASTIC GLASS-FILLED, UL 94V-0
EMI HOUSING: NICKEL PLATED DIE CAST ALLOY
COVER: STAINLESS STEEL
EMI CLIPS: NICKEL PLATED PHOS BRONZE
TERMINALS: COPPER ALLOY
 - PLATING:**
CONTACT AREA: 0.764mm MIN. GOLD OVER 2.544mm MIN. NICKEL
TAIL AREA: 0.764mm - 1.524mm TIN OVER 1.274mm MIN NICKEL
 - THIS CONNECTOR IS DESIGNED TO MATE WITH MOLEX CABLE SERIES INDICATED IN THE MOLEX PRODUCT SPEC. PS-170465-0001.
 - REFER TO ROUTING GUIDE AS-170501-0002 FOR PCB TRACE INFORMATION.
 - PACKAGING SPECIFICATION: TRAY PACK PER PK-170501-0001.
 - REFER TO AS-170501-0001 FOR THE APPLICATION SPECIFICATION.
 - MOUNTING HARDWARE REQUIRED: M2x0.4 CAP SCREWS (6)
MOUNTING SCREW LENGTH: BOARD THICKNESS + 4mm MAX
 - THERMAL SOLUTION MUST PROVIDE MODULE GUIDANCE OR MODULE MAY STUB ON CONNECTOR DURING MATING.
SAME FUNCTION AS COVER OR HEATSINK.

| | | | | | | |
|--|--------------------------------------|--|---|--|------------------------|---|
| ADD TOL., CUT-OUT EC NO: UCP2013-2408 DRAWING PRATT 2012/12/12 CHKD: MBANAKIS 2012/12/12 APPR: MBANAKIS 2012/12/18 | QUALITY SYMBOLS ▽=0 ▽=0 ▽=0 | GENERAL TOLERANCES (UNLESS SPECIFIED) | DIMENSION STYLE MM ONLY | SCALE 2:1 | DESIGN UNITS METRIC | THIRD ANGLE PROJECTION |
| | | 4 PLACES ± --- ± --- 3 PLACES ± --- ± --- 2 PLACES ± 0.25 ± --- 1 PLACE ± --- ± --- | mm INCH DRAWN BY JLONG DATE 2010/05/20 CHECKED BY JLONG DATE 2010/05/20 APPROVED BY MBANAKIS DATE 2012/12/18 | TITLE I-PASS PLUS CXP EXTENDED 84 CIRCUIT, 0.8MM I/O | MOLEX INCORPORATED | |
| D1 | REVISION | ANGULAR ±1/2° | SEE CHART | DOCUMENT NO. SD-170501-0001 | | THIS DRAWING CONTAINS INFORMATION THAT IS PROPRIETARY TO MOLEX INCORPORATED AND SHOULD NOT BE USED WITHOUT WRITTEN PERMISSION |

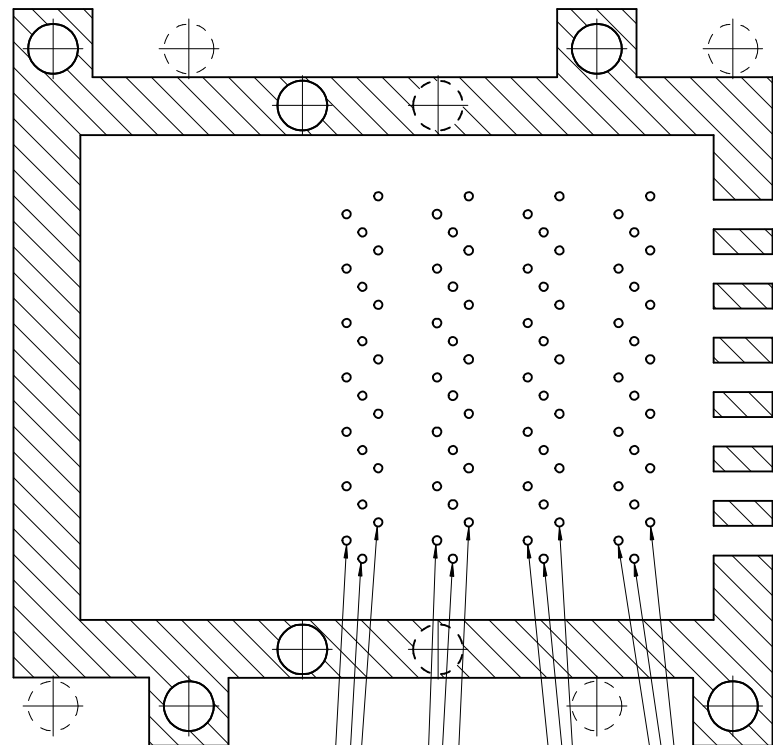
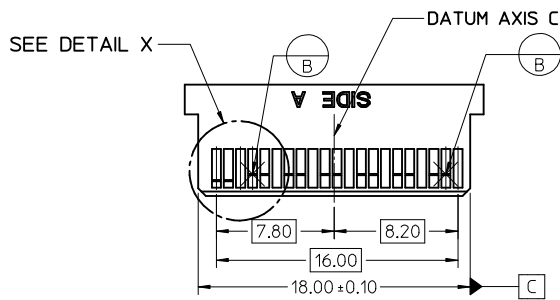
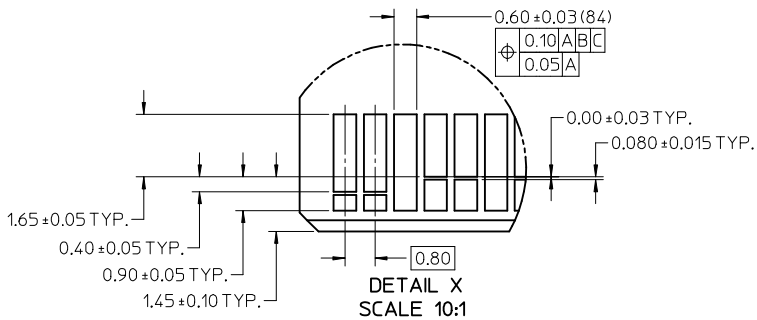
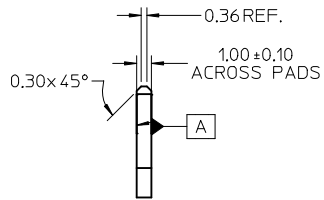
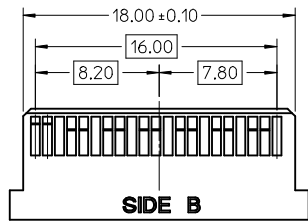


DETAIL A
SCALE 16:1

- NOTES:
- CROSS-HATCHED AREA TO BE CONDUCTIVE ON THE PCB.
 - CROSS-HATCHED AREA MUST BE INCORPORATED IN THE FLAT ROCK PRESS-FIT TOOLING.
 - REFER TO THE PLATING DETAIL OF THE COMPLIANT PIN HOLES IN THE APPLICATION SPEC AS-170465-0002 FOR THE DRILL SIZE AND ANNULAR RING FOR THE 0.37 ϕ FINISHED HOLE.
 - MINIMUM RECOMMENDED SPACING: 29.00
 - FEATURES IN PHANTOM LINES ARE RELATED FOR USE WITH CONNECTOR ASSEMBLY SERIES 170502 FOR GANGED SIDE BY SIDE AND BELLY TO BELLY APPLICATIONS.
 - NO SIGNAL ROUTING ON TOP LAYER.

RECOMMENDED PCB LAYOUT
COMPONENT SIDE SHOWN
PCB THICKNESS: 1.44mm MIN.

| | | | | | | | |
|---|---------------------|---------------------------------------|-------------|-----------------|---|---------------------|------------------------|
| SEE SHEET 1 EC NO: UCP2013-2408 DRAWING PRATT: 2012/12/12 CHK'D: MBANAKIS 2012/12/12 APPR: MBANAKIS 2012/12/18 | QUALITY SYMBOLS | GENERAL TOLERANCES (UNLESS SPECIFIED) | | DIMENSION STYLE | SCALE | DESIGN UNITS | THIRD ANGLE PROJECTION |
| | | | | MM ONLY | 6:1 | METRIC | |
| | | mm | INCH | DRAWN BY | DATE | TITLE | |
| 4 PLACES | ± --- | ± --- | JLONG | 2010/05/20 | I-PASS PLUS CXP EXTENDED 84 CIRCUIT, 0.8MM I/O | | |
| 3 PLACES | ± --- | ± --- | CHECKED BY | DATE | | | |
| 2 PLACES | ± 0.25 | ± --- | JLONG | 2010/05/20 | | | |
| 1 PLACE | ± --- | ± --- | APPROVED BY | DATE | | | |
| ANGULAR ±1/2° | | MATERIAL NO. | | DOCUMENT NO. | | | |
| DRAFT WHERE APPLICABLE MUST REMAIN WITHIN DIMENSIONS | | 1705010001 | | SD-170501-0001 | | SHEET NO. 2 OF 5 | |
| THIS DRAWING CONTAINS INFORMATION THAT IS PROPRIETARY TO MOLEX INCORPORATED AND SHOULD NOT BE USED WITHOUT WRITTEN PERMISSION | | | | | | | |

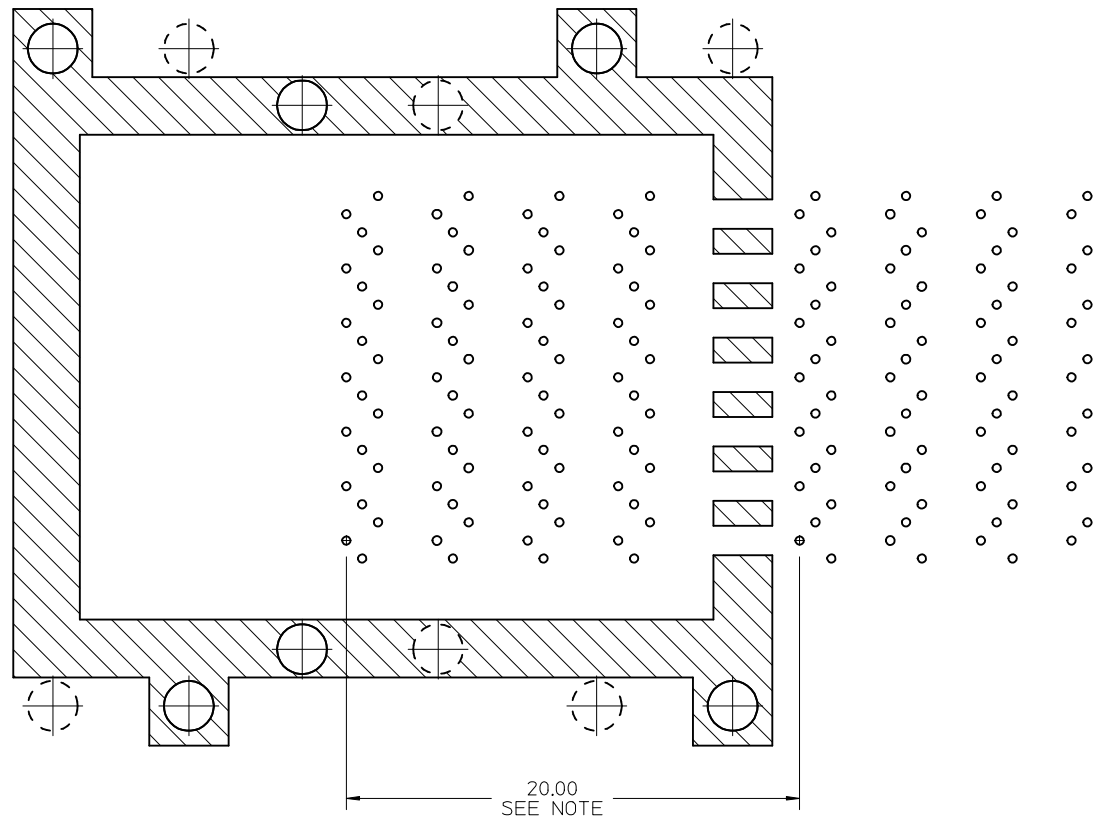


A2 B2 C3 D3
 A1 B1 C1 D1
 A3 B3 C2 D2

NOTES:

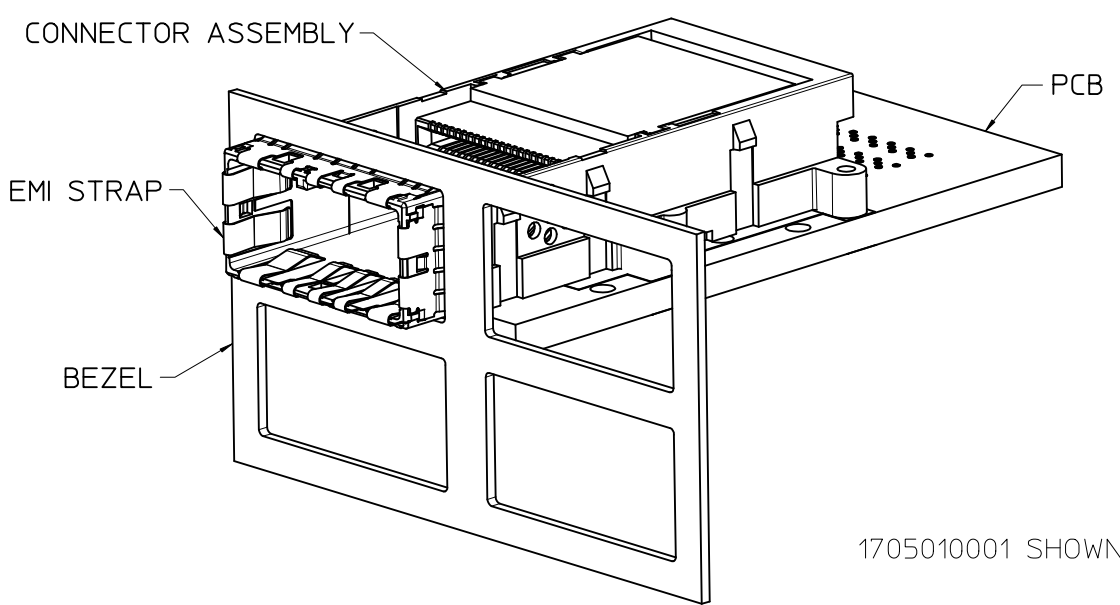
- 0.03 MINIMUM KEEP OUT FOR SOLDER MASK AROUND ALL PADS
- DATUM B TARGETS ARE DEFINED BY THE RESPECTIVE PAD CENTER LINES AND THE LEADING EDGE OF THE TARGET PADS

| | | | | | | | | | | |
|--|--------------------------------------|--|-------|--------------------------------|----------------------------|---|------------------------|------------------------|--|--|
| SEE SHEET 1 EC NO: UCP2013-2408 DRAWING PRATT 2012/12/12 CHKD: MBANAKIS 2012/12/12 APPR: MBANAKIS 2012/12/18 | QUALITY SYMBOLS ∇=0 ∇=0 ∇=0 | GENERAL TOLERANCES (UNLESS SPECIFIED) | | DIMENSION STYLE MM ONLY | | SCALE 6:1 | DESIGN UNITS METRIC | THIRD ANGLE PROJECTION | | |
| | | mm | INCH | DRAWN BY JLONG | DATE 2010/05/20 | TITLE I-PASS PLUS CXP EXTENDED 84 CIRCUIT, 0.8MM I/O | | | | |
| | | 4 PLACES ± --- | ± --- | CHECKED BY JLONG | DATE 2010/05/20 | APPROVED BY MBANAKIS | | | | |
| | | 3 PLACES ± --- | ± --- | DATE 2012/12/18 | MATERIAL NO. 1705010001 | | | | | |
| 2 PLACES ± 0.25 | ± --- | ANGULAR ± 1/2° | | DOCUMENT NO. SD-170501-0001 | | SHEET NO. 3 OF 5 | | | | |
| 1 PLACE ± --- | ± --- | DRAFT WHERE APPLICABLE MUST REMAIN WITHIN DIMENSIONS | | MATERIAL NO. 1705010001 | | SHEET NO. 3 OF 5 | | | | |
| REV D1 | | DESCRIPTION | | SIZE C | | THIS DRAWING CONTAINS INFORMATION THAT IS PROPRIETARY TO MOLEX INCORPORATED AND SHOULD NOT BE USED WITHOUT WRITTEN PERMISSION | | | | |



NOTE:
1. WHEN USED WITH CONNECTOR SERIES 170502
VIA PATTERN WILL APPEAR AS SHOWN.

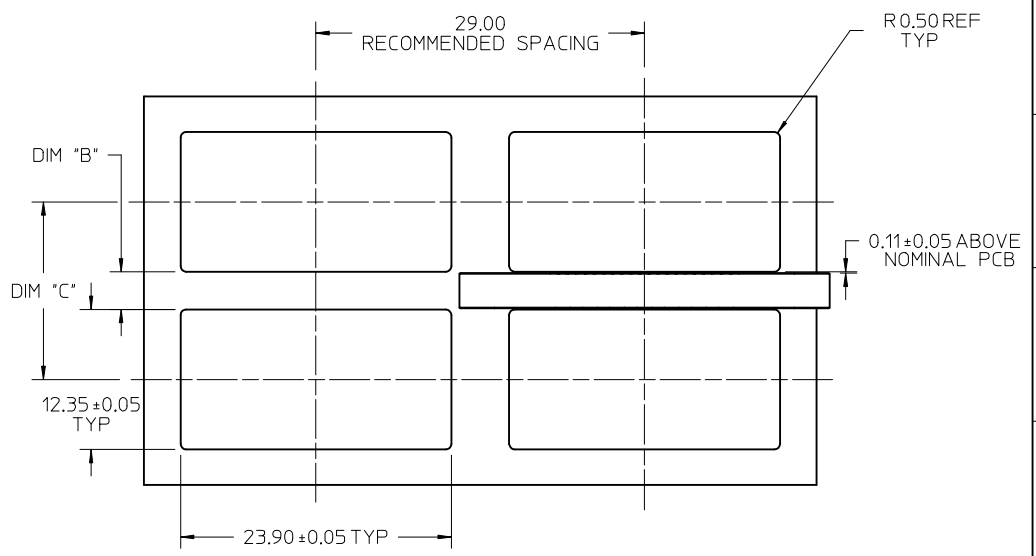
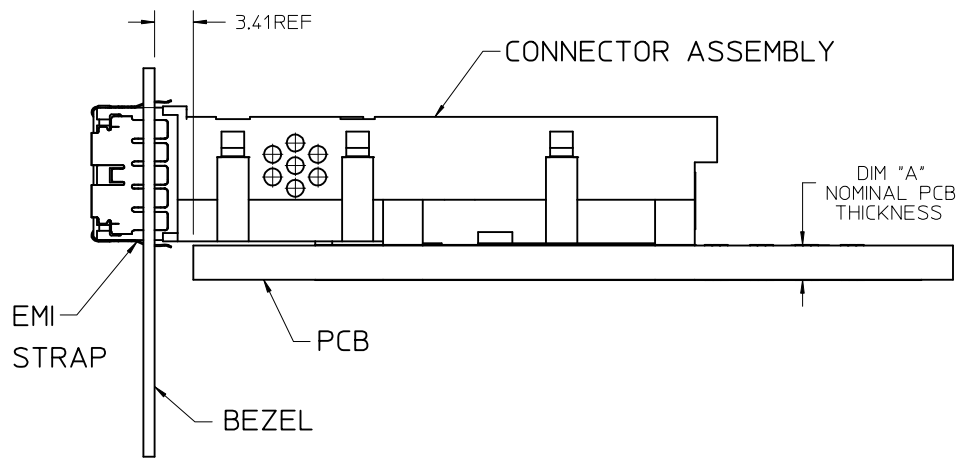
| | | | | | | | | | |
|--|---------------------|--|----------------------|-----------------------------------|---|--|------------------------|----------------------------|--------------------|
| SEE SHEET 1 EC NO: UCP2013-2408 DRAWING PRATT 2012/12/12 CHKD: MBANAKIS 2012/12/12 APPR: MBANAKIS 2012/12/18 | QUALITY SYMBOLS | GENERAL TOLERANCES (UNLESS SPECIFIED) | | DIMENSION STYLE MM ONLY | SCALE 6:1 | DESIGN UNITS METRIC | THIRD ANGLE PROJECTION | | |
| | | 4 PLACES ± --- ± --- | 3 PLACES ± --- ± --- | DRAWN BY JLONG | DATE 2010/05/20 | TITLE I-PASS PLUS CXP EXTENDED 84 CIRCUIT, 0.8MM I/O | | | |
| | | 2 PLACES ± 0.25 ± --- | 1 PLACE ± --- ± --- | CHECKED BY JLONG | DATE 2010/05/20 | APPROVED BY MBANAKIS | | | DATE 2012/12/18 |
| | | ANGULAR ± 1/2° | | MATERIAL NO. 1705010001 | | DOCUMENT NO. SD-170501-0001 | | SHEET NO. 4 OF 5 | |
| D1 | DESCRIPTION | DRAFT WHERE APPLICABLE MUST REMAIN WITHIN DIMENSIONS | | SIZE | THIS DRAWING CONTAINS INFORMATION THAT IS PROPRIETARY TO MOLEX INCORPORATED AND SHOULD NOT BE USED WITHOUT WRITTEN PERMISSION | | | | |



| DIM "A" | DIM "B" | DIM "C" | MINIMUM PCB |
|---------|---------|---------|-------------|
| 3.10 | 3.32 | 15.67 | 10% NOM THK |
| 1.60 | 1.82 | 14.17 | 1.44 |
| 2.80 | 3.02 | 15.37 | 10% NOM THK |

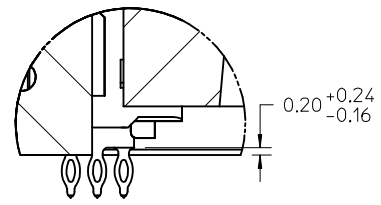
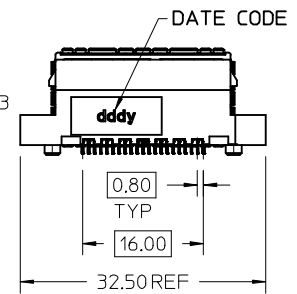
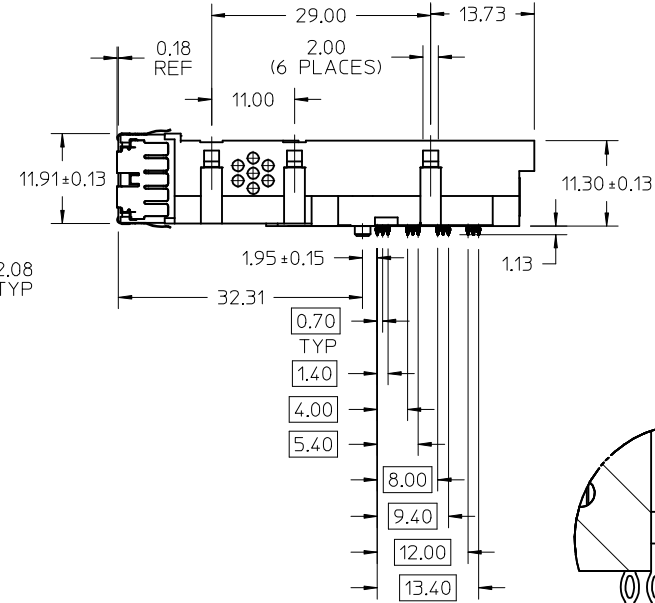
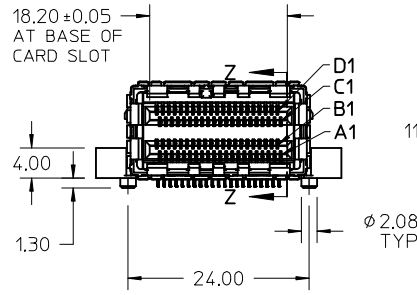
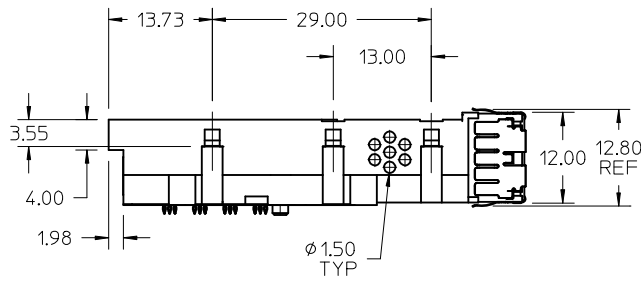
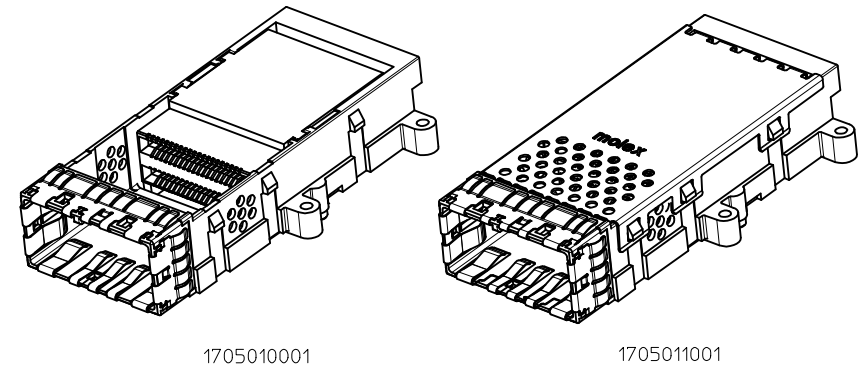
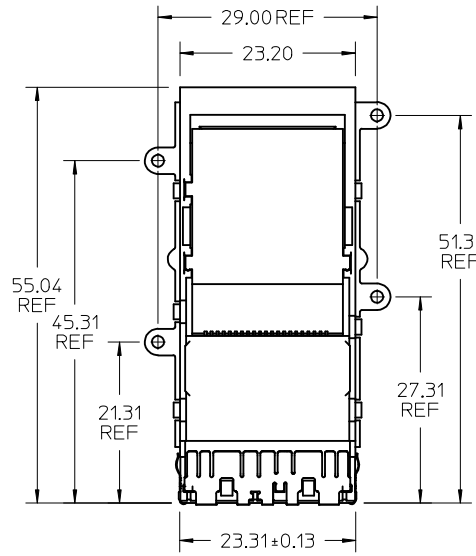
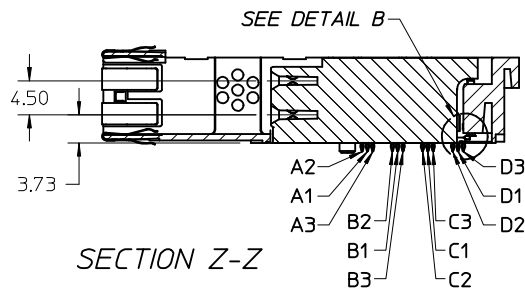
NOTE: WITH 1.44 MINIMUM PCB THICKNESS, WILL NOT SUPPORT PLUGS WITH GREATER THAN 28 AWG CABLE.

1705010001 SHOWN



| SEE SHEET 1 EC NO: UCP2013-2408 DRAWN: GPRATT 2012/12/12 CHKD: MBANAKIS 2012/12/12 APPR: MBANAKIS 2012/12/18 | QUALITY SYMBOLS ▽=0 ▽=0 ▽=0 | GENERAL TOLERANCES (UNLESS SPECIFIED) | | DIMENSION STYLE MM ONLY | | SCALE 3:1 | DESIGN UNITS METRIC | THIRD ANGLE PROJECTION | | | | | | | | | | | | | | |
|--|--------------------------------------|--|-------|-----------------------------------|----|--------------|------------------------|------------------------|-------|----------|-------|-------|----------|--------|-------|---------|-------|-------|-----------------------------------|--|---|--|
| | | <table border="1"> <thead> <tr> <th></th> <th>mm</th> <th>INCH</th> </tr> </thead> <tbody> <tr> <td>4 PLACES</td> <td>± ---</td> <td>± ---</td> </tr> <tr> <td>3 PLACES</td> <td>± ---</td> <td>± ---</td> </tr> <tr> <td>2 PLACES</td> <td>± 0.25</td> <td>± ---</td> </tr> <tr> <td>1 PLACE</td> <td>± ---</td> <td>± ---</td> </tr> </tbody> </table> | | | mm | INCH | 4 PLACES | ± --- | ± --- | 3 PLACES | ± --- | ± --- | 2 PLACES | ± 0.25 | ± --- | 1 PLACE | ± --- | ± --- | DRAWN BY DATE JLONG 2010/05/20 | | TITLE I-PASS PLUS CXP EXTENDED 84 CIRCUIT, 0.8MM I/O | |
| | | | mm | INCH | | | | | | | | | | | | | | | | | | |
| | | 4 PLACES | ± --- | ± --- | | | | | | | | | | | | | | | | | | |
| 3 PLACES | ± --- | ± --- | | | | | | | | | | | | | | | | | | | | |
| 2 PLACES | ± 0.25 | ± --- | | | | | | | | | | | | | | | | | | | | |
| 1 PLACE | ± --- | ± --- | | | | | | | | | | | | | | | | | | | | |
| CHECKED BY DATE JLONG 2010/05/20 | | APPROVED BY DATE MBANAKIS 2012/12/18 | | MOLEX INCORPORATED | | | | | | | | | | | | | | | | | | |
| MATERIAL NO. 1705010001 | | DOCUMENT NO. SD-170501-0001 | | SHEET NO. 5 OF 5 | | | | | | | | | | | | | | | | | | |
| DRAFT WHERE APPLICABLE MUST REMAIN WITHIN DIMENSIONS | | THIS DRAWING CONTAINS INFORMATION THAT IS PROPRIETARY TO MOLEX INCORPORATED AND SHOULD NOT BE USED WITHOUT WRITTEN PERMISSION | | | | | | | | | | | | | | | | | | | | |

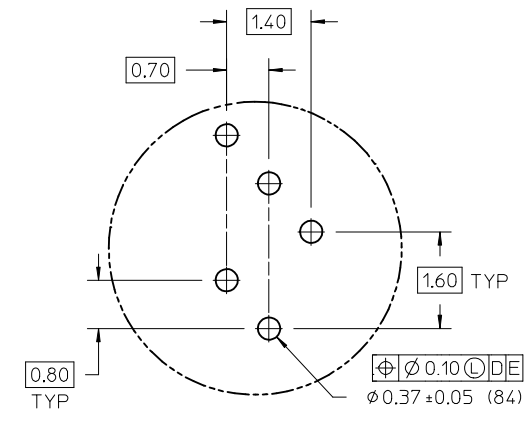
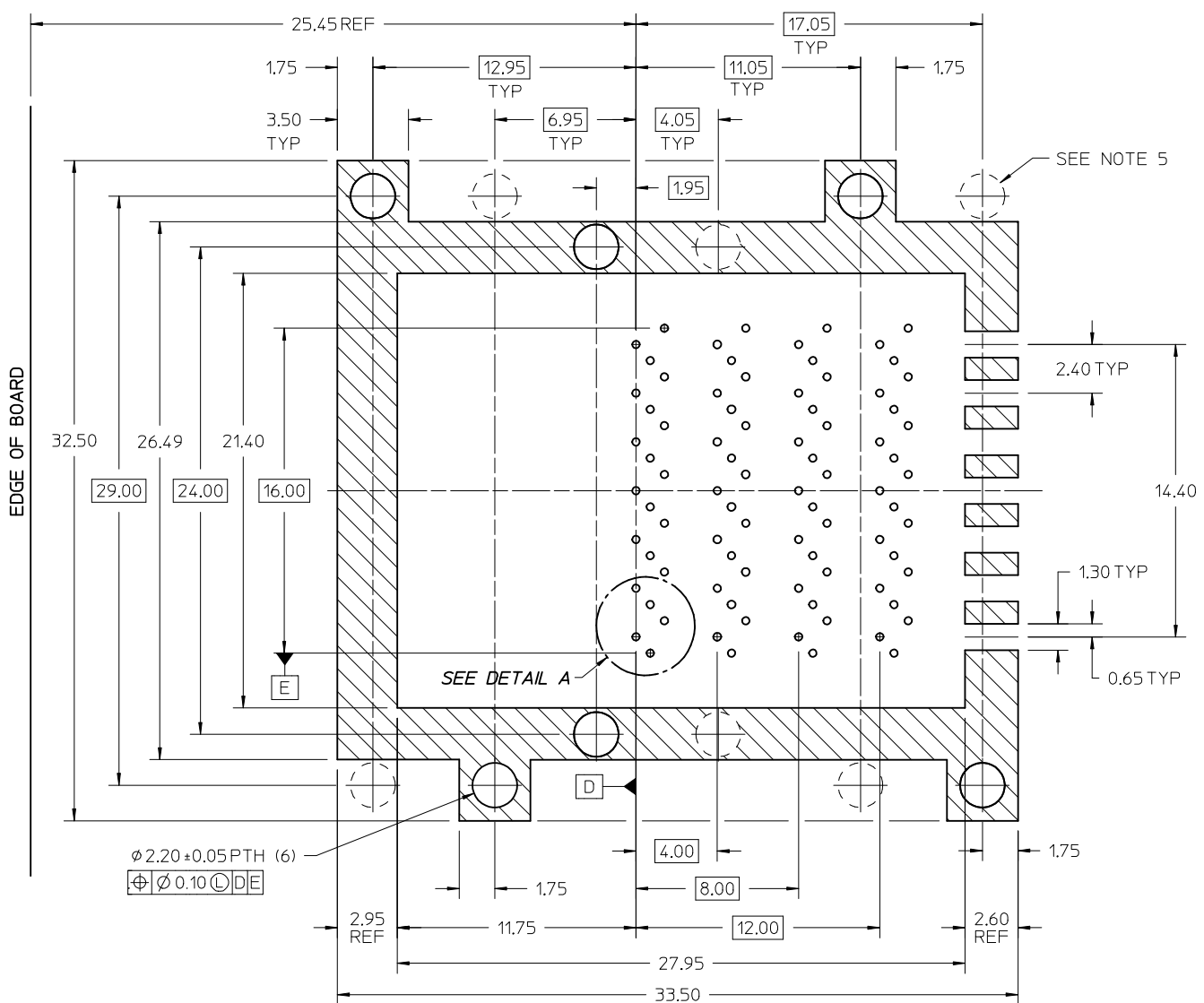
| MATERIAL | DESCRIPTION |
|------------|-------------|
| 1705010001 | NO COVER |
| 1705011001 | WITH COVER |



DETAIL B
SCALE 10:1

- NOTES:**
- MATERIALS:**
CONNECTOR HOUSING: HIGH TEMPERATURE THERMOPLASTIC GLASS-FILLED, UL 94V-0
EMI HOUSING: NICKEL PLATED DIE CAST ALLOY
COVER: STAINLESS STEEL
EMI CLIPS: NICKEL PLATED PHOS BRONZE
TERMINALS: COPPER ALLOY
 - PLATING:**
CONTACT AREA: 0.764 μ m MIN. GOLD OVER 2.544 μ m MIN. NICKEL
TAIL AREA: 0.764 μ m - 1.524 μ m TIN OVER 1.274 μ m MIN NICKEL
 - THIS CONNECTOR IS DESIGNED TO MATE WITH MOLEX CABLE SERIES INDICATED IN THE MOLEX PRODUCT SPEC. PS-170465-0001.
 - REFER TO ROUTING GUIDE AS-170501-0002 FOR PCB TRACE INFORMATION.
 - PACKAGING SPECIFICATION: TRAY PACK PER PK-170501-0001.
 - REFER TO AS-170501-0001 FOR THE APPLICATION SPECIFICATION.
 - MOUNTING HARDWARE REQUIRED: M2x0.4 CAP SCREWS (6)
MOUNTING SCREW LENGTH: BOARD THICKNESS + 4mm MAX
 - THERMAL SOLUTION MUST PROVIDE MODULE GUIDANCE OR MODULE MAY STUB ON CONNECTOR DURING MATING.
SAME FUNCTION AS COVER OR HEATSINK.

| | | | | | | |
|--|--------------------------------------|---------------------------------------|-----------------------------------|--------------------------------|--|------------------------|
| ADD TOL., CUT-OUT EC NO: UCP2013-2408 DRAWING PRATT 2012/12/12 CHKD: MBANAKIS 2012/12/12 APPR: MBANAKIS 2012/12/18 | QUALITY SYMBOLS ▽=0 ▽=0 ▽=0 | GENERAL TOLERANCES (UNLESS SPECIFIED) | DIMENSION STYLE MM ONLY | SCALE 2:1 | DESIGN UNITS METRIC | THIRD ANGLE PROJECTION |
| | | mm INCH | DRAWN BY JLONG | DATE 2010/05/20 | TITLE I-PASS PLUS CXP EXTENDED 84 CIRCUIT, 0.8MM I/O | |
| REV D1 | DESCRIPTION | 4 PLACES ± --- ± --- | CHECKED BY JLONG | DATE 2010/05/20 | MOLEX INCORPORATED | SHEET NO. 1 OF 5 |
| | | 3 PLACES ± --- ± --- | APPROVED BY MBANAKIS | DATE 2012/12/18 | | |
| DRAFT WHERE APPLICABLE MUST REMAIN WITHIN DIMENSIONS | | ANGULAR ±1/2° | MATERIAL NO. SEE CHART | DOCUMENT NO. SD-170501-0001 | | |
| THIS DRAWING CONTAINS INFORMATION THAT IS PROPRIETARY TO MOLEX INCORPORATED AND SHOULD NOT BE USED WITHOUT WRITTEN PERMISSION | | | | | | |

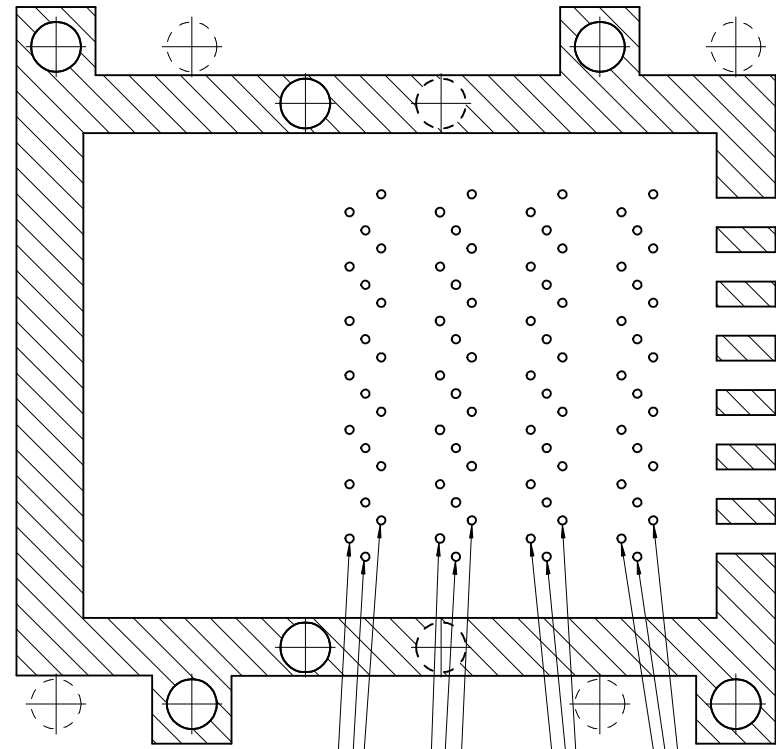
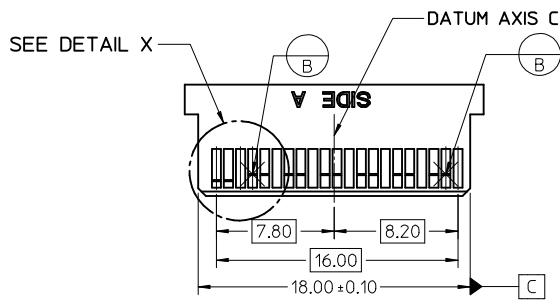
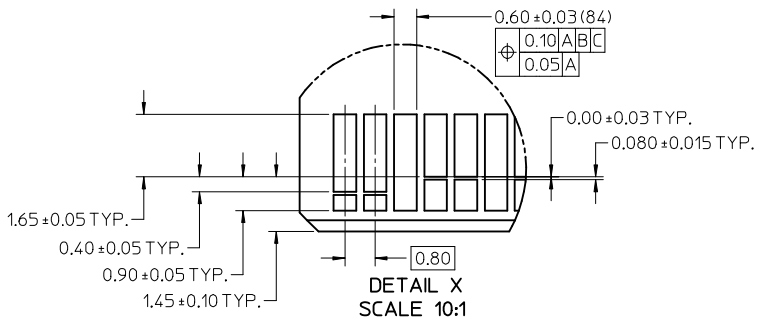
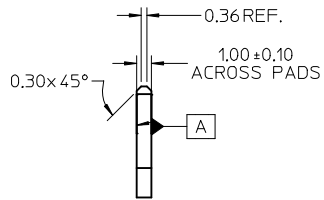
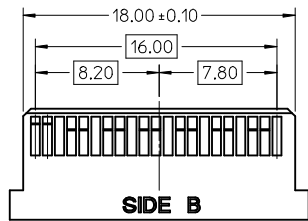


DETAIL A
SCALE 16:1

- NOTES:
- CROSS-HATCHED AREA TO BE CONDUCTIVE ON THE PCB.
 - CROSS-HATCHED AREA MUST BE INCORPORATED IN THE FLAT ROCK PRESS-FIT TOOLING.
 - REFER TO THE PLATING DETAIL OF THE COMPLIANT PIN HOLES IN THE APPLICATION SPEC AS-170465-0002 FOR THE DRILL SIZE AND ANNULAR RING FOR THE 0.37 ϕ FINISHED HOLE.
 - MINIMUM RECOMMENDED SPACING: 29.00
 - FEATURES IN PHANTOM LINES ARE RELATED FOR USE WITH CONNECTOR ASSEMBLY SERIES 170502 FOR GANGED SIDE BY SIDE AND BELLY TO BELLY APPLICATIONS.
 - NO SIGNAL ROUTING ON TOP LAYER.

RECOMMENDED PCB LAYOUT
COMPONENT SIDE SHOWN
PCB THICKNESS: 1.44mm MIN.

| | | | | | | | | | | |
|--|---|--|--|---|--|---------------------|--------------|---|--|--|
| SEE SHEET 1 EC NO: UCP2013-2408 DRAWING PRATT 2012/12/12 CHKD: MBANAKIS 2012/12/12 APPR: MBANAKIS 2012/12/18 | QUALITY SYMBOLS | GENERAL TOLERANCES (UNLESS SPECIFIED) | | DIMENSION STYLE | | SCALE | DESIGN UNITS | THIRD ANGLE PROJECTION | | |
| | | | | MM ONLY | | 6:1 | METRIC | | | |
| | | | | | | DRAWN BY DATE | | TITLE | | |
| | | | | | | JLONG 2010/05/20 | | I-PASS PLUS CXP EXTENDED 84 CIRCUIT, 0.8MM I/O | | |
| REV D1 | DESCRIPTION 4 PLACES 3 PLACES 2 PLACES 1 PLACE ANGULAR ±1/2° | | | CHECKED BY DATE | | APPROVED BY DATE | | | | |
| | | | | JLONG 2010/05/20 | | MBANAKIS 2012/12/18 | | | | |
| | | | | MATERIAL NO. | | DOCUMENT NO. | | SHEET NO. | | |
| | | | | 1705010001 | | SD-170501-0001 | | 2 OF 5 | | |
| | | DRAFT WHERE APPLICABLE MUST REMAIN WITHIN DIMENSIONS | | THIS DRAWING CONTAINS INFORMATION THAT IS PROPRIETARY TO MOLEX INCORPORATED AND SHOULD NOT BE USED WITHOUT WRITTEN PERMISSION | | | | | | |

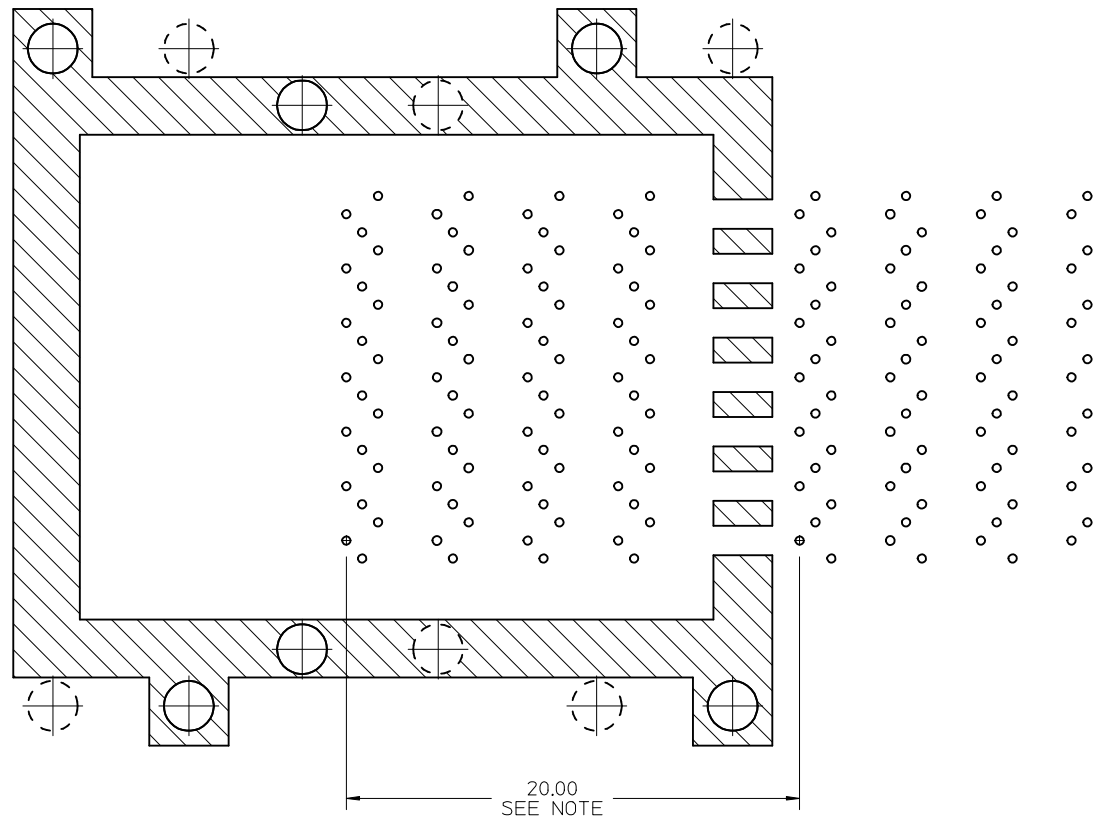


A2 B2 C3 D3
 A1 B1 C1 D1
 A3 B3 C2 D2

NOTES:

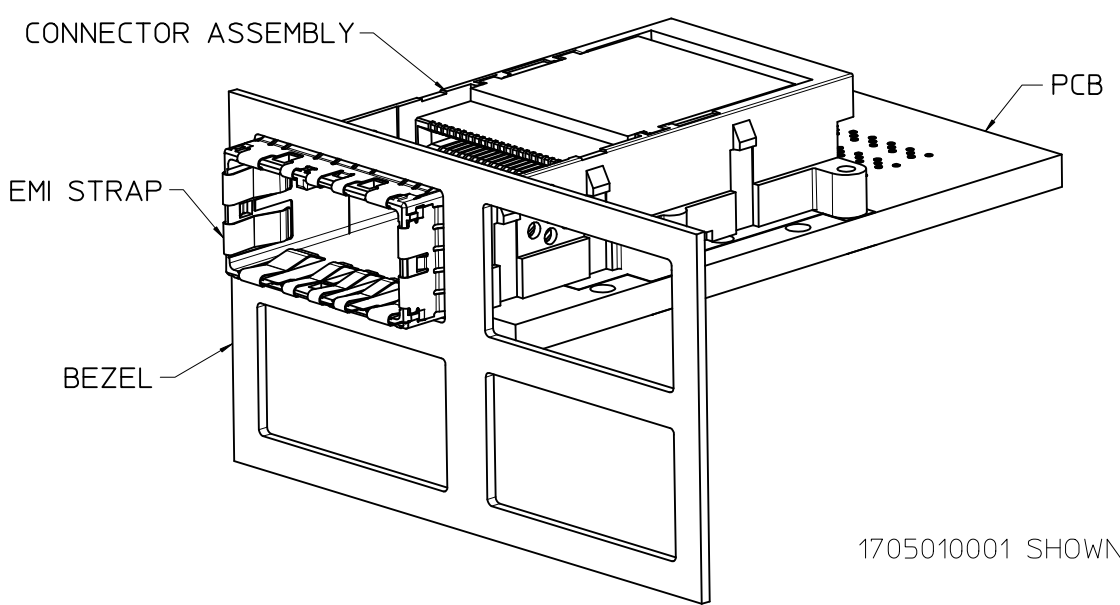
- 0.03 MINIMUM KEEP OUT FOR SOLDER MASK AROUND ALL PADS
- DATUM B TARGETS ARE DEFINED BY THE RESPECTIVE PAD CENTER LINES AND THE LEADING EDGE OF THE TARGET PADS

| | | | | | | | | | | | |
|--|--------------------------------------|---------------------------------------|---------|---|--------------------|---|-------------------------------|----------------------------|--|--|--|
| SEE SHEET 1 EC NO: UCP2013-2408 DRAWING PRATT 2012/12/12 CHKD: MBANAKIS 2012/12/12 APPR: MBANAKIS 2012/12/18 | QUALITY SYMBOLS ∇=0 ∇=0 ∇=0 | GENERAL TOLERANCES (UNLESS SPECIFIED) | | DIMENSION STYLE MM ONLY | | SCALE 6:1 | DESIGN UNITS METRIC | THIRD ANGLE PROJECTION | | | |
| | | 4 PLACES ± --- ± --- | mm INCH | DRAWN BY JLONG | DATE 2010/05/20 | TITLE I-PASS PLUS CXP EXTENDED 84 CIRCUIT, 0.8MM I/O | | | | | |
| | | 3 PLACES ± --- ± --- | | CHECKED BY JLONG | DATE 2010/05/20 | | | | | | |
| | | 2 PLACES ± 0.25 ± --- | | APPROVED BY MBANAKIS | DATE 2012/12/18 | | | | | | |
| 1 PLACE ± --- ± --- | | ANGULAR ± 1/2° | | MATERIAL NO. 1705010001 | | DOCUMENT NO. SD-170501-0001 | | SHEET NO. 3 OF 5 | | | |
| DRAFT WHERE APPLICABLE MUST REMAIN WITHIN DIMENSIONS | | SIZE C | | THIS DRAWING CONTAINS INFORMATION THAT IS PROPRIETARY TO MOLEX INCORPORATED AND SHOULD NOT BE USED WITHOUT WRITTEN PERMISSION | | | | | | | |



NOTE:
1. WHEN USED WITH CONNECTOR SERIES 170502
VIA PATTERN WILL APPEAR AS SHOWN.

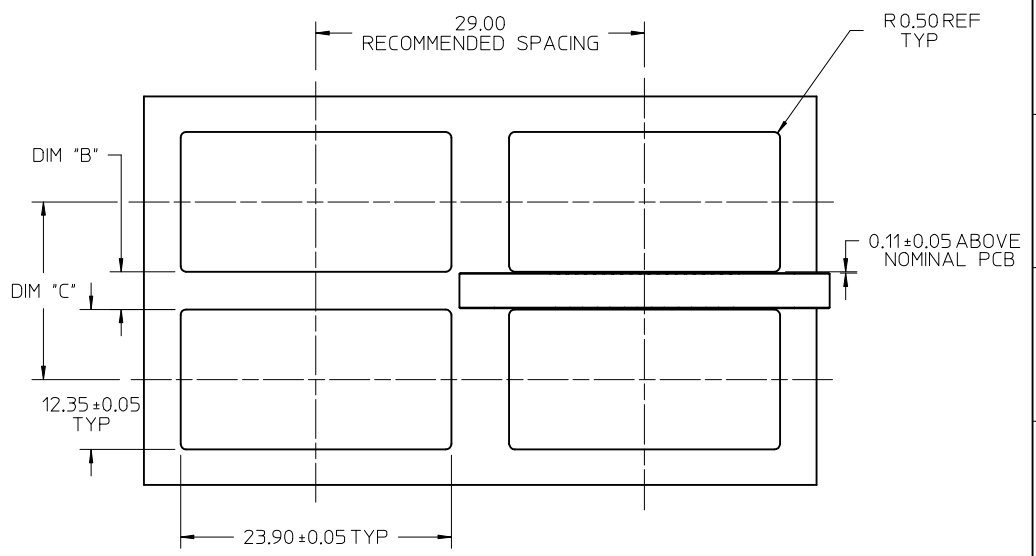
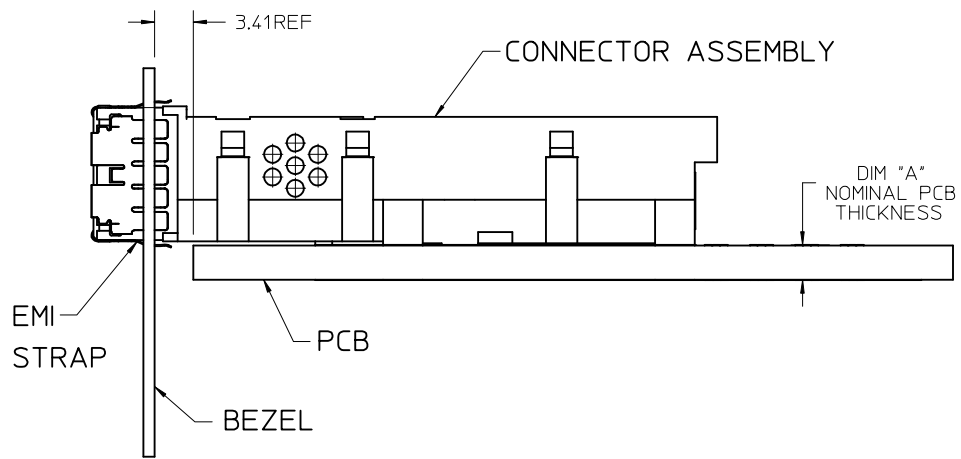
| | | | | | | | | |
|--|---------------------|---------------------------------------|---------------------------------------|-----------------------------------|---------------------|--|---------------------------|--|
| SEE SHEET 1 EC NO: UCP2013-2408 DRAWING PRATT 2012/12/12 CHKD: MBANAKIS 2012/12/12 APPR: MBANAKIS 2012/12/18 | QUALITY SYMBOLS | GENERAL TOLERANCES (UNLESS SPECIFIED) | | DIMENSION STYLE MM ONLY | SCALE 6:1 | DESIGN UNITS METRIC | THIRD ANGLE PROJECTION | |
| | | 4 PLACES ± --- ± --- | 3 PLACES ± --- ± --- | DRAWN BY JLONG | DATE 2010/05/20 | TITLE I-PASS PLUS CXP EXTENDED 84 CIRCUIT, 0.8MM I/O | | |
| | | 2 PLACES ± 0.25 ± --- | 1 PLACE ± --- ± --- | CHECKED BY JLONG | DATE 2010/05/20 | | | |
| | | ANGULAR ± 1/2° | | APPROVED BY MBANAKIS | | DATE 2012/12/18 | MOLEX INCORPORATED | |
| DRAFT WHERE APPLICABLE MUST REMAIN WITHIN DIMENSIONS | | MATERIAL NO. 1705010001 | DOCUMENT NO. SD-170501-0001 | SHEET NO. 4 OF 5 | | | | |



| DIM "A" | DIM "B" | DIM "C" | MINIMUM PCB |
|---------|---------|---------|-------------|
| 3.10 | 3.32 | 15.67 | 10% NOM THK |
| 1.60 | 1.82 | 14.17 | 1.44 |
| 2.80 | 3.02 | 15.37 | 10% NOM THK |

NOTE: WITH 1.44 MINIMUM PCB THICKNESS, WILL NOT SUPPORT PLUGS WITH GREATER THAN 28 AWG CABLE.

1705010001 SHOWN



| | | | | | | |
|---|-----------------|--|---|--|-------------------------------|------------------------|
| SEE SHEET 1 EC NO: UCP2013-2408 DRAWN: GPRATT 2012/12/12 CHKD: MBANAKIS 2012/12/12 APPR: MBANAKIS 2012/12/18 | QUALITY SYMBOLS | GENERAL TOLERANCES (UNLESS SPECIFIED) | DIMENSION STYLE MM ONLY | SCALE 3:1 | DESIGN UNITS METRIC | THIRD ANGLE PROJECTION |
| | ▽=0 | mm INCH | DRAWN BY DATE JLONG 2010/05/20 | TITLE I-PASS PLUS CXP EXTENDED 84 CIRCUIT, 0.8MM I/O | | |
| | ▽=0 | 4 PLACES ± --- ± --- | CHECKED BY DATE JLONG 2010/05/20 | MATERIAL NO. 1705010001 | | |
| | ▽=0 | 3 PLACES ± --- ± --- | APPROVED BY DATE MBANAKIS 2012/12/18 | DOCUMENT NO. SD-170501-0001 | | |
| D1 | ANGULAR ±1/2° | DRAFT WHERE APPLICABLE MUST REMAIN WITHIN DIMENSIONS | SIZE C | SHEET NO. 5 OF 5 | | |
| THIS DRAWING CONTAINS INFORMATION THAT IS PROPRIETARY TO MOLEX INCORPORATED AND SHOULD NOT BE USED WITHOUT WRITTEN PERMISSION | | | | | | |