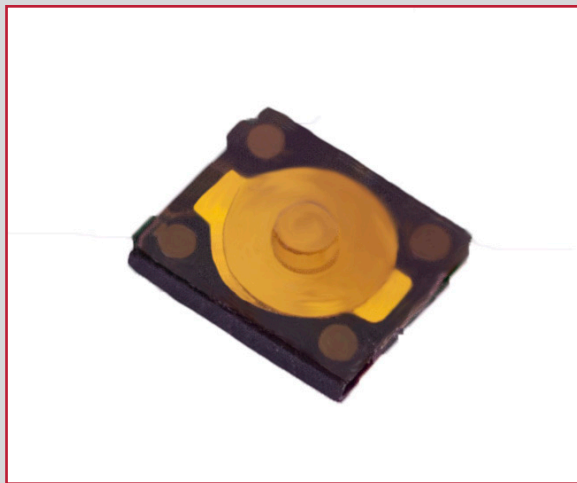


# TL3701 SERIES TACT SWITCH

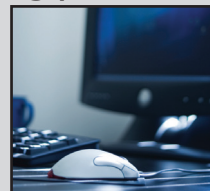
ANTI-VANDAL SWITCHES  
 DETECTOR SWITCHES  
 DIP SWITCHES  
 KEYLOCK SWITCHES  
 NAVIGATION SWITCHES  
 PUSHBUTTON SWITCHES  
 ROCKER SWITCHES  
 ROTARY SWITCHES  
 SLIDE SWITCHES  
 SNAP ACTION SWITCHES  
**TACTILE SWITCHES**  
 TOGGLE SWITCHES  
 CAP OPTIONS



## APPLICATIONS / MARKETS



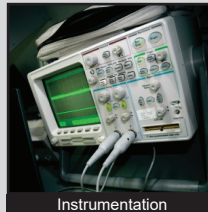
Wearable Electronics



Computer Peripherals



Consumer Electronics



Instrumentation



Telecommunication



Handheld Devices

**RoHS**

## SPECIFICATIONS

**Electrical Rating:** 50mA @ 12VDC  
**Life Expectancy:** up to 100,000 Cycles  
**Contact Resistance:** 500mΩ Max.  
**Insulation Resistance:** 100MΩ Min. at 500VDC  
**Dielectric Strength:** 250VAC for 1 Minute  
**Operating Temperature:** -40°C to 85°C Min.  
**Operating Force:** 100gf and 160gf  
**Travel:** 0.15mm  
**Function:** SPST, Off-(On)

## FEATURES & BENEFITS

- 3.0mm (W) x 2.6mm (L) x 0.65mm (H) dimensions
- Up to 100,000 cycle life expectancy
- 100gf and 160gf options

## PART NUMBER CONFIGURATOR

Series	Model	Actuator Option	Actuation Force	Contact Material	Termination
<input type="text" value="TL"/>	<input type="text" value="3701"/>	<input type="text" value="A - 0.65mm"/>	<input type="text" value="F100 - 100gf"/> <input type="text" value="F160 - 160gf"/>	<input type="text" value="Q - Silver"/>	<input type="text" value="G"/>

Specifications subject to change without notice 8.21.2019



**E-SWITCH®**

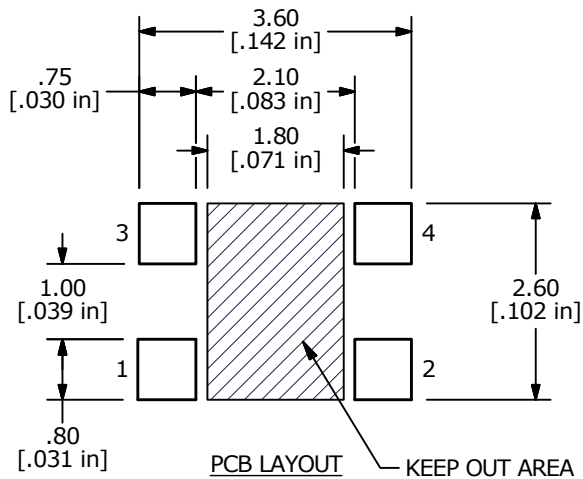
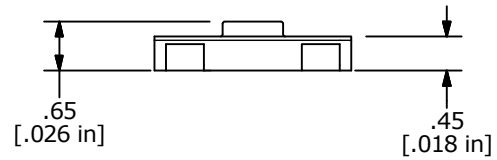
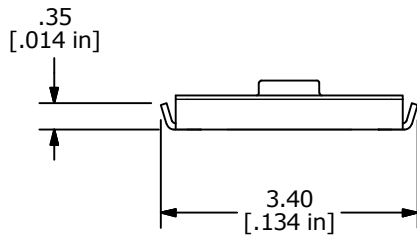
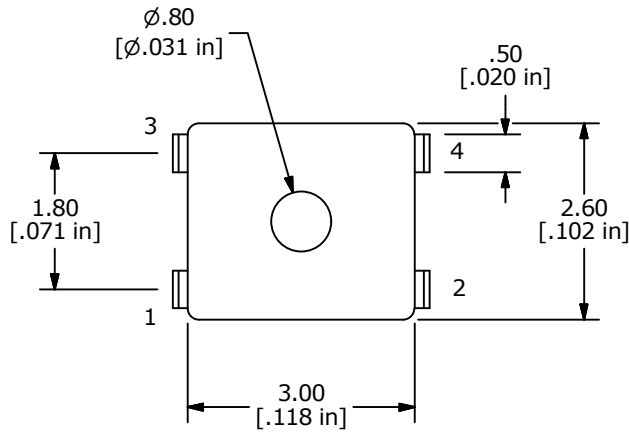
www.e-switch.com

800.867.2717

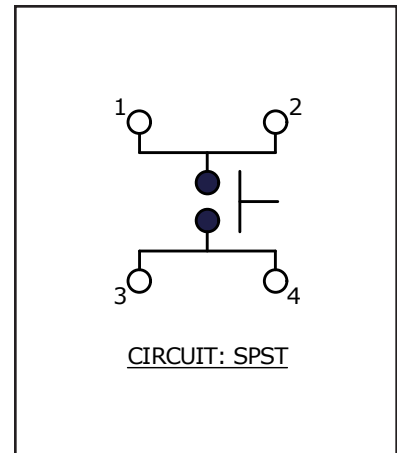
1

# TL3701 SERIES TACT SWITCH

## BODY DIMENSIONS



**SURFACE MOUNT PCB LAYOUT**



**SCHEMATIC**

- ANTI-VANDAL SWITCHES
- DETECTOR SWITCHES
- DIP SWITCHES
- KEYLOCK SWITCHES
- NAVIGATION SWITCHES
- PUSHBUTTON SWITCHES
- ROCKER SWITCHES
- ROTARY SWITCHES
- SLIDE SWITCHES
- SNAP ACTION SWITCHES
- TACTILE SWITCHES**
- TOGGLE SWITCHES
- CAP OPTIONS

