



Backing plate round, for EMERGENCY STOP mushroom pushbutton, yellow, self-adhesive, Outer diameter 75 mm, inside diameter 23 mm, with inscription: EMERGENCY STOP

product brand name	SIRIUS ACT
product designation	EMERGENCY STOP backing plate
product type designation	3SU1
General technical data	
shock resistance for railway applications according to EN 61373	Category 1, Class B
vibration resistance for railway applications according to EN 61373	Category 1, Class B
Substance Prohibittance (Date)	10/01/2014
Ambient conditions	
ambient temperature	
• during operation	70 ... -25 °C
• during storage and transport	80 ... -40 °C
Accessories	
material of accessory	Plastic
fastening method of label	stick
marking of backing plate	EMERGENCY STOP
shape of backing plate	Round
color of backing plate	yellow (plate); black (text)
product function illuminated backing plate	No
Certificates/ approvals	
General Product Approval	Declaration of Conformity



[Confirmation](#)



EG-Konf.

Test Certificates	Marine / Shipping
Type Test Certificates/Test Report	Special Test Certificate
	
ABS	LRS
	
PRS	RINA
Marine / Shipping	other



Further information

Information- and Downloadcenter (Catalogs, Brochures,...)

<https://www.siemens.com/ic10>

Industry Mall (Online ordering system)

<https://mall.industry.siemens.com/mall/en/en/Catalog/product?mlfb=3SU1900-0BC31-0DA0>

Cax online generator

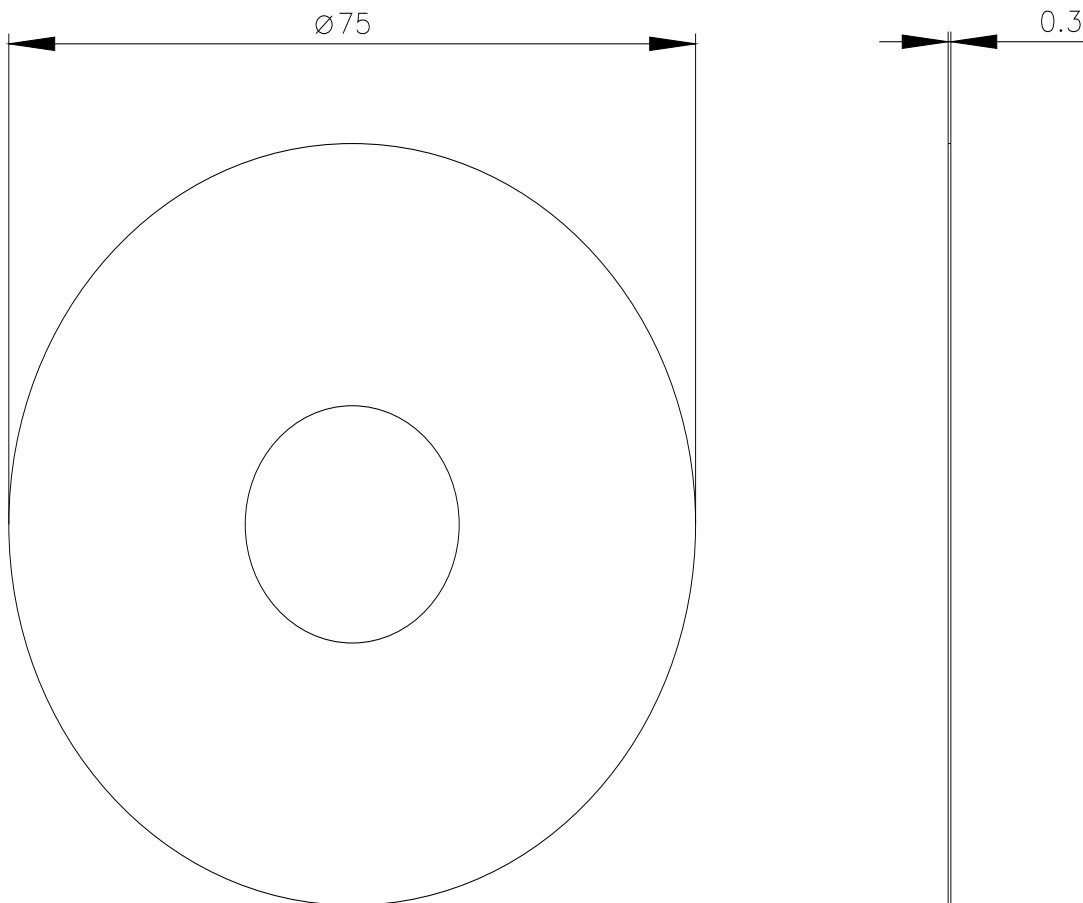
<http://support.automation.siemens.com/WW/CAXorder/default.aspx?lang=en&mlfb=3SU1900-0BC31-0DA0>

Service&Support (Manuals, Certificates, Characteristics, FAQs,...)

<https://support.industry.siemens.com/cs/ww/en/ps/3SU1900-0BC31-0DA0>

Image database (product images, 2D dimension drawings, 3D models, device circuit diagrams, EPLAN macros, ...)

http://www.automation.siemens.com/bilddb/cax_de.aspx?mlfb=3SU1900-0BC31-0DA0&lang=en



last modified:

3/29/2022