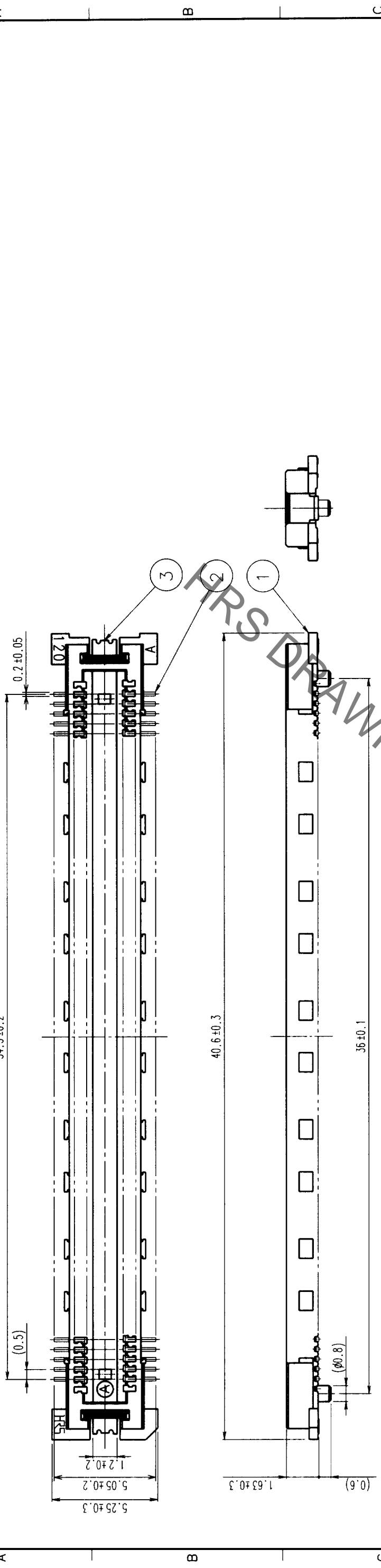
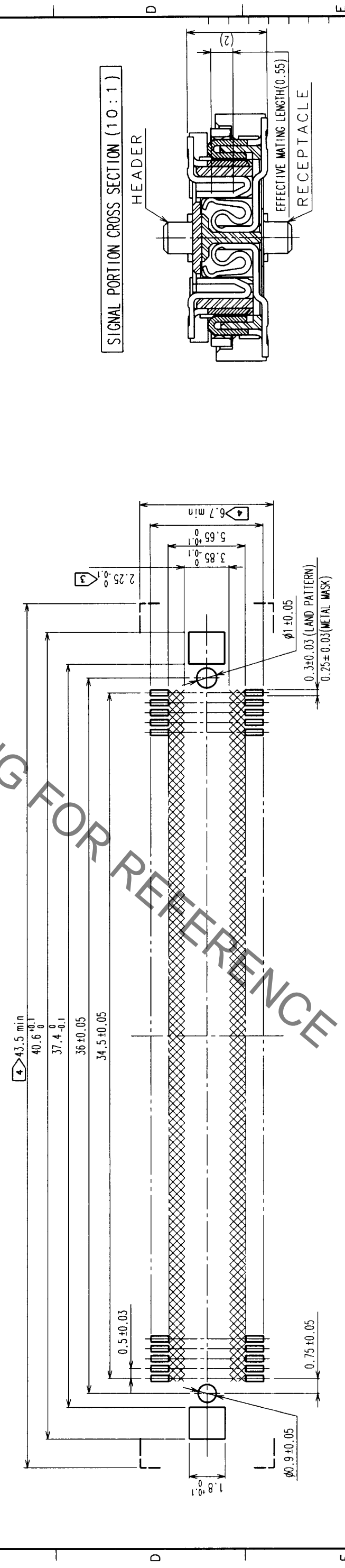


COUNT DESCRIPTION OF REVISIONS		BY	CHKD	DATE	COUNT DESCRIPTION OF REVISIONS		BY	CHKD	DATE



RECOMMENDED LAND PATTERN DIMENSION OF PCB



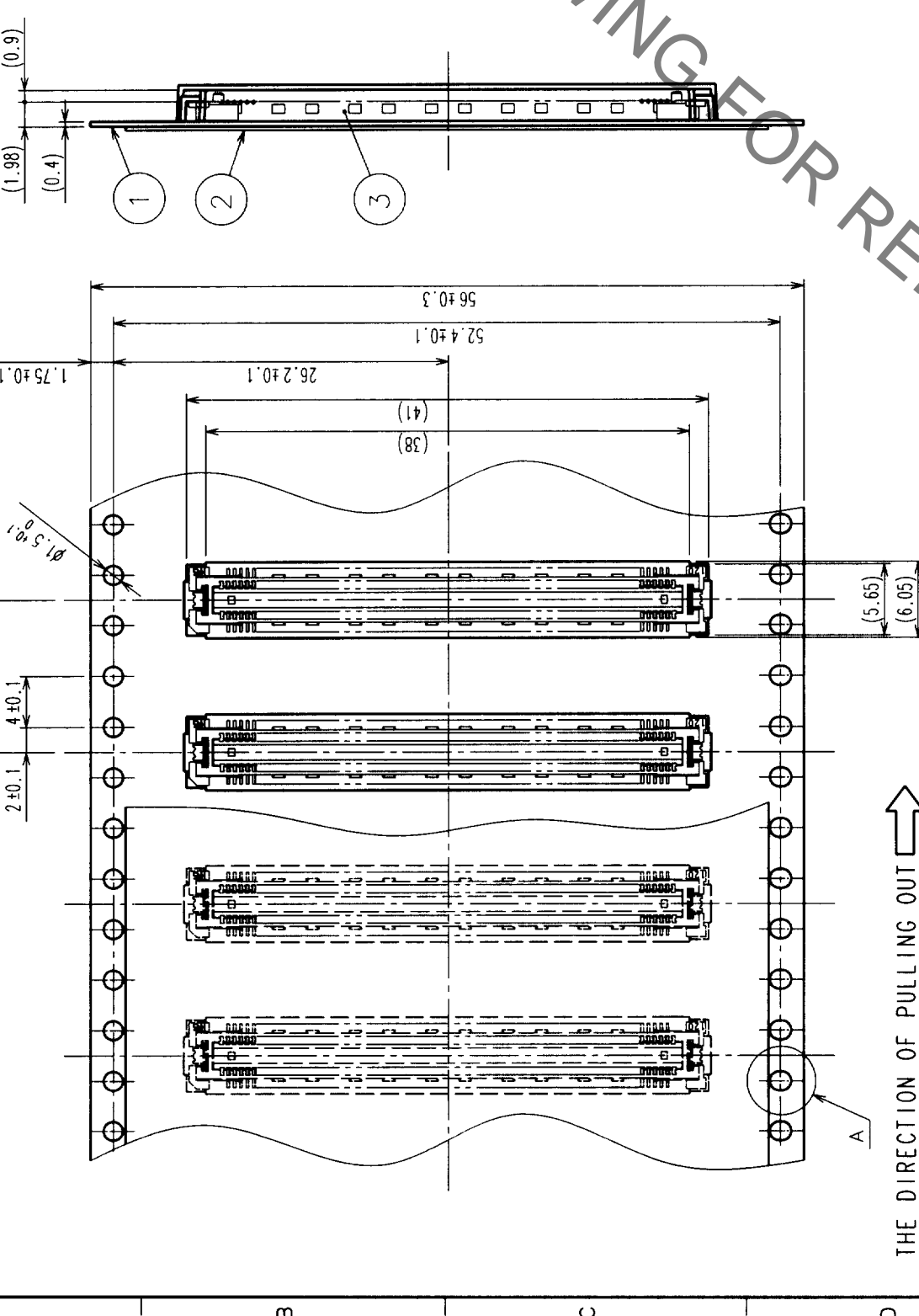
2	COPPER ALLOY	CONTACT AREA: GOLD (0.1μm) OVER NICKEL
1	LCP	LEAD: GOLD FLASH OVER NICKEL
NO.	MATERIAL	BEIGE UL94V-0
CODE NO. (OLD)	FINISH, REMARKS	3 PHOSPHOR BRONZE
CL		NO. MATERIAL
		DESIGNED
		CHECKED
		APPROVED
		RELEASED

DRAWING NO.	PART NO.
EDC3-152103-01	FX11LA-140P-SV (21)
SCALE	CODE NO.
5 : 1	CL573-0045-0-21
UNITS	
mm	

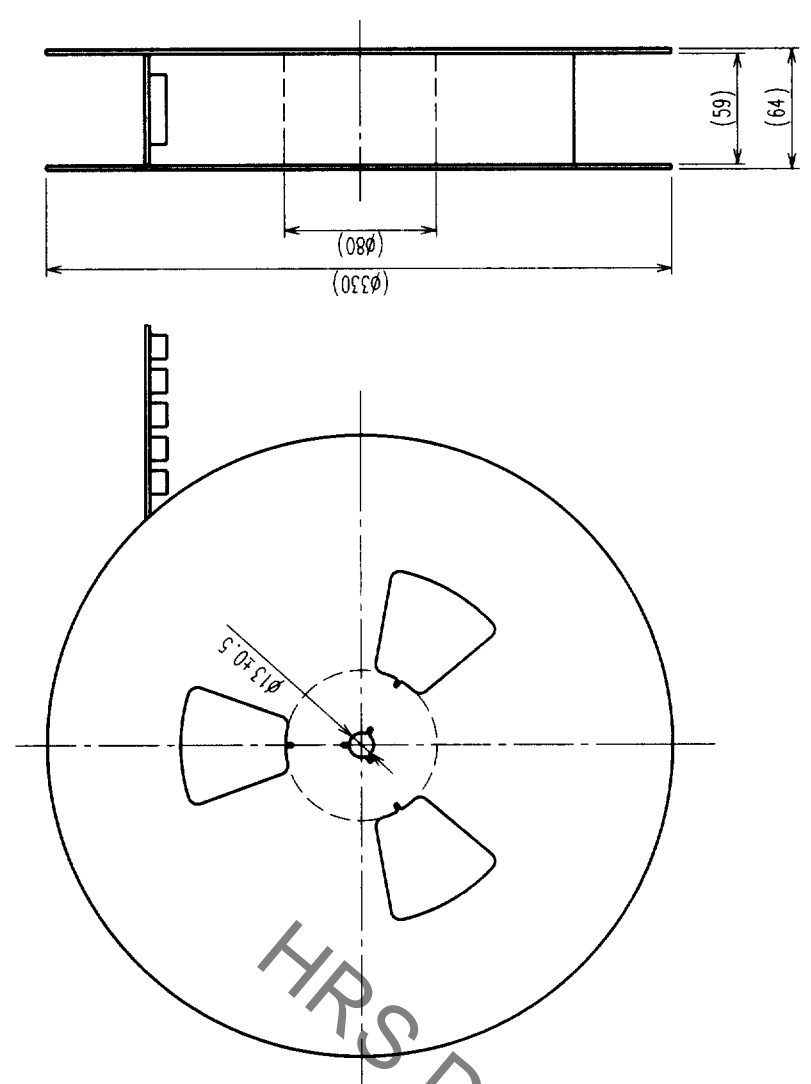
- NOTES
- SMT LEAD-COPLANARITY: 0.1 MAX.
 - THIS PRODUCT HAS NO POLARITY TO PATTERN FOR MOUNTING.
 - MAKE SURE WIDTH OF PATTERN IS WITHIN THAT OF LAND, OR LEAD MAY TOUCH PATTERN. (THIS APPLIES TO HATCHED AREA.)
 - DO NOT MOUNT OTHER DEVICES ONTO [] AREA, OR MATING PAIR CANNOT BE MATED.
 - TO BE EMBOSSED CARRIER TAPED AS SPECIFIED IN SHEET 2.

TO	
PCK	

COUNT	DESCRIPTION OF REVISIONS	BY	CHKD	DATE	COUNT	DESCRIPTION OF REVISIONS	BY	CHKD	DATE
△					△				
△					△				
△					△				

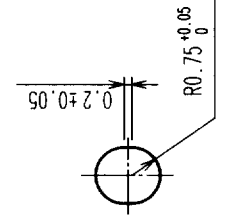


REELED DIMENSION (Free)



THE DIRECTION OF PULLING OUT →

A (5:1)



- NOTES
- 1 REEL: 1000 CONNECTORS.
 - 2 MINIMUM 10 COMPARTMENTS FROM BOTH REEL ENDS REMAIN EMPTY.
 - 3 THIS PRODUCT HAS NO POLARITY TO TAPE AND REEL PACKAGING.

2		TOP COVER TAPE		3		FINISH, REMARKS	
PET	EMBOSSED CARRIER TAPE	(CONNECTOR)	MATERIAL		FINISH, REMARKS		APPROVED
1	PS	NO.	FINISH, REMARKS	NO.	MATERIAL	CHECKED	RELEASED
CL	CL						
DRAWING FOR PACKING		DRAWN		DESIGNED		APPROVED	
SCALE		17.10.25		27.10.25		27.10.26	
UNITS		mm		mm		mm	
DRAWING NO.		EDC3-152103-01		PART NO.		FX11LA-140P-SV(21)	
HRS		HIROSE ELECTRIC CO., LTD		CODE NO.		CL573-0045-0-21	

TO	
PCK	