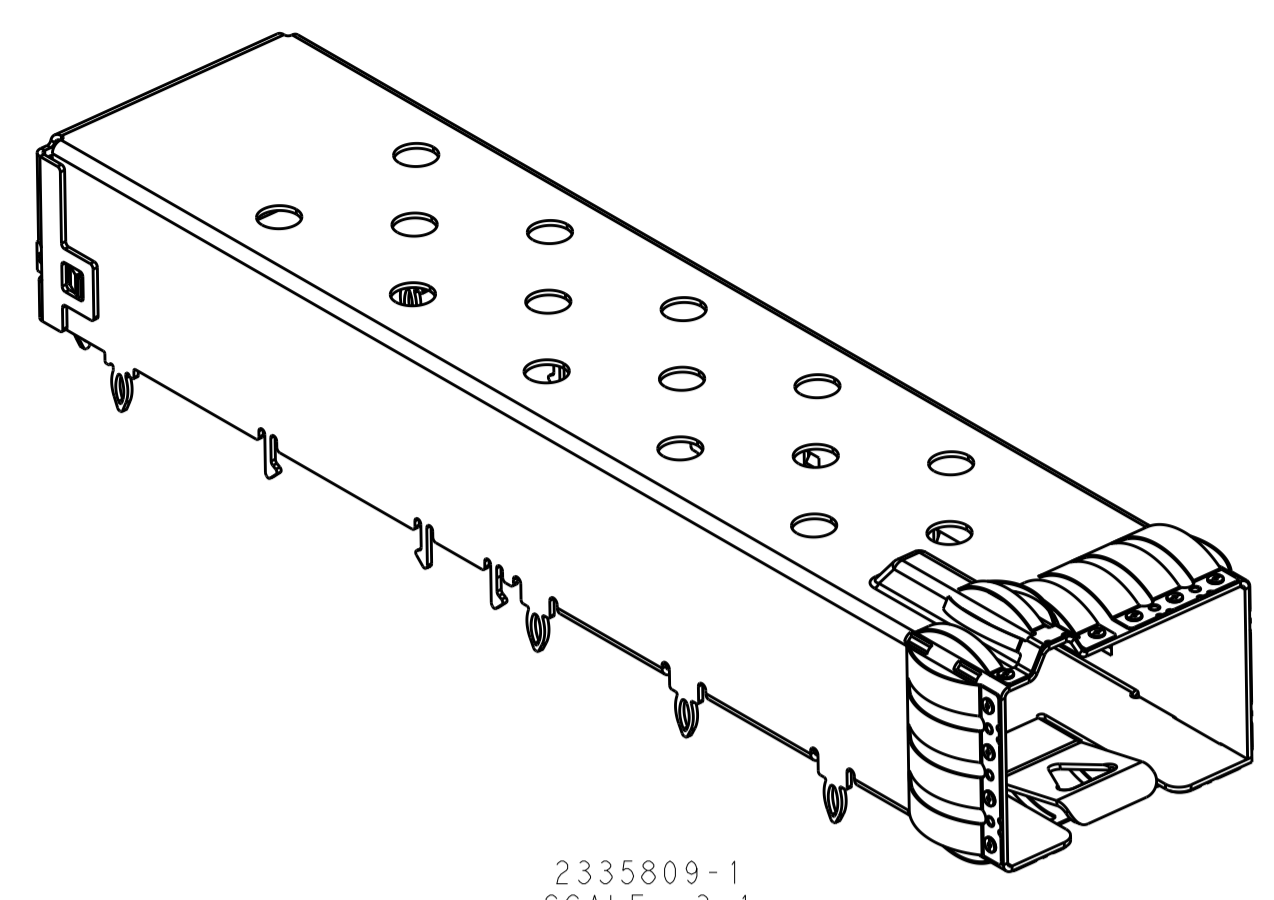
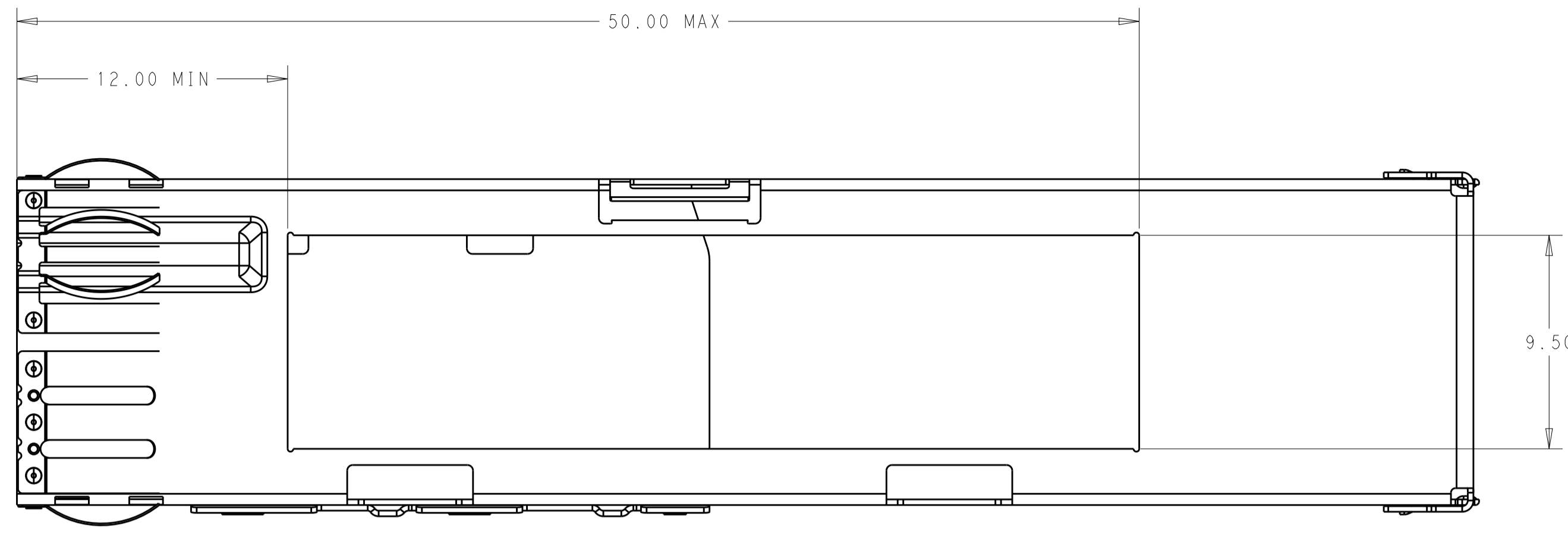


REVISIONS				
P.	LTN.	DESCRIPTION	DATE	APVD.
A		INITIAL RELEASE	15JUN2020	AJ SH

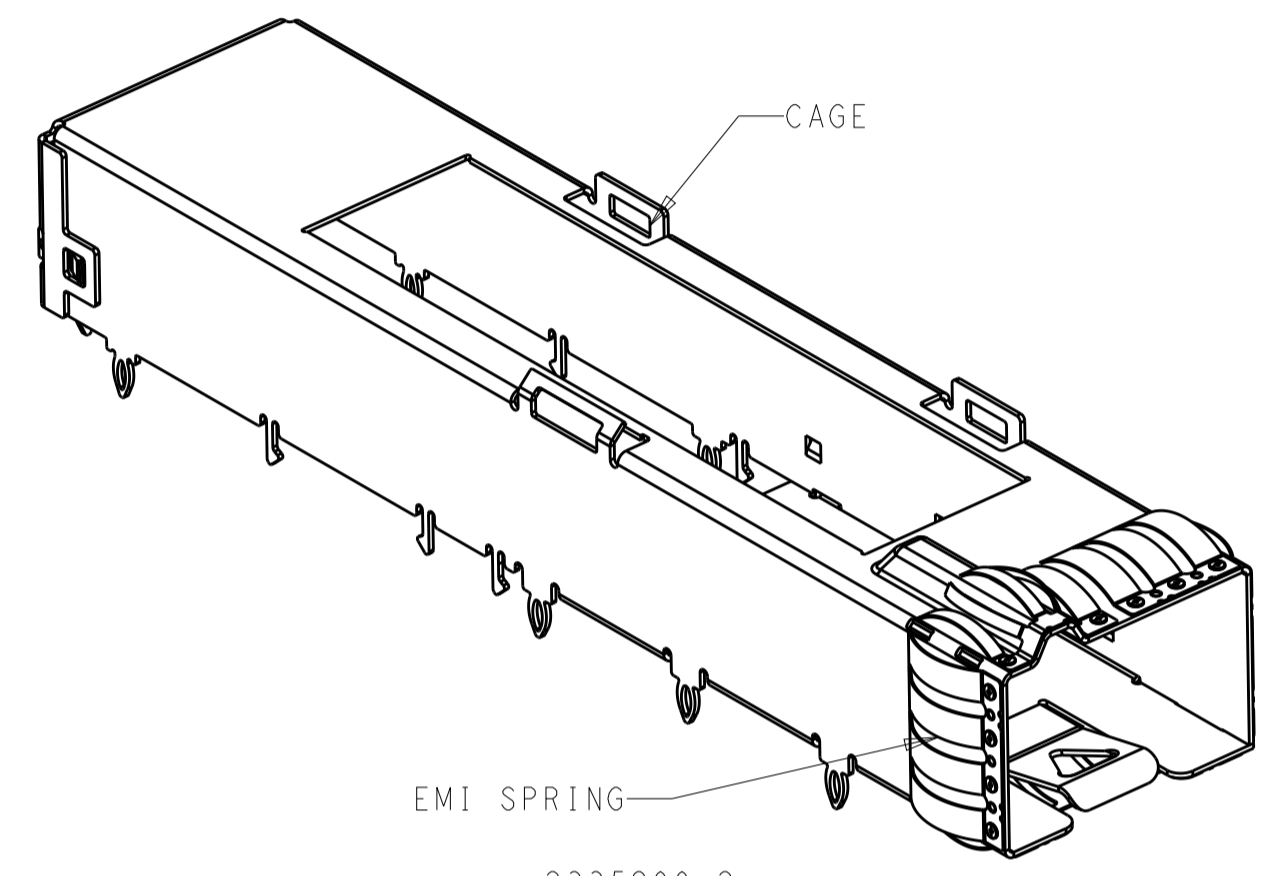


2335809-1
SCALE 3:1

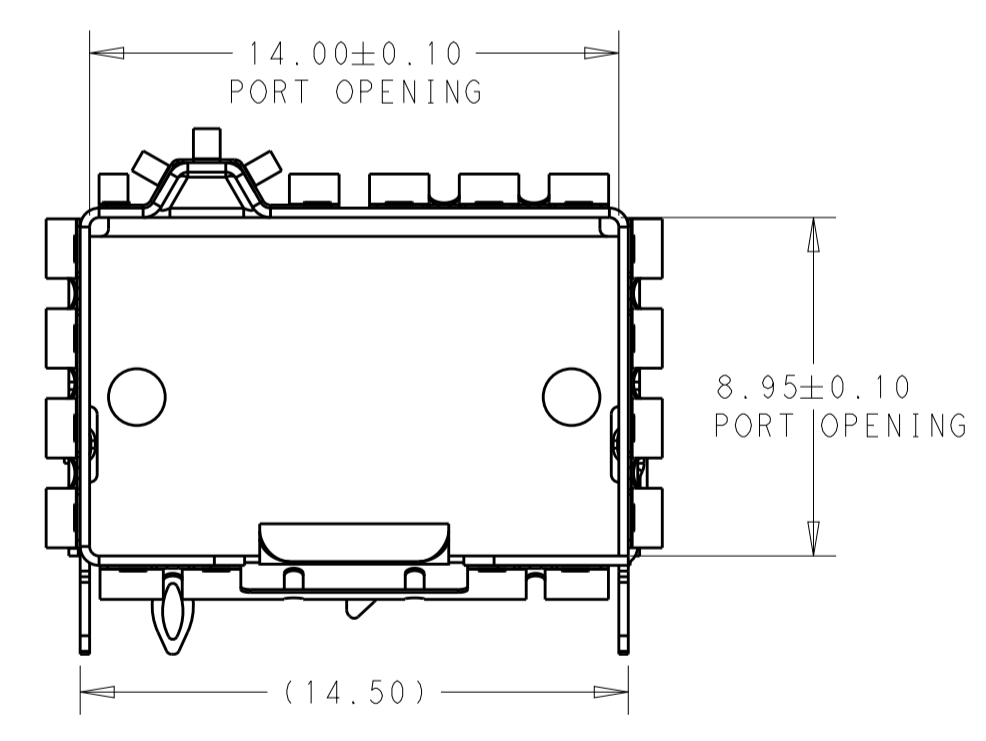
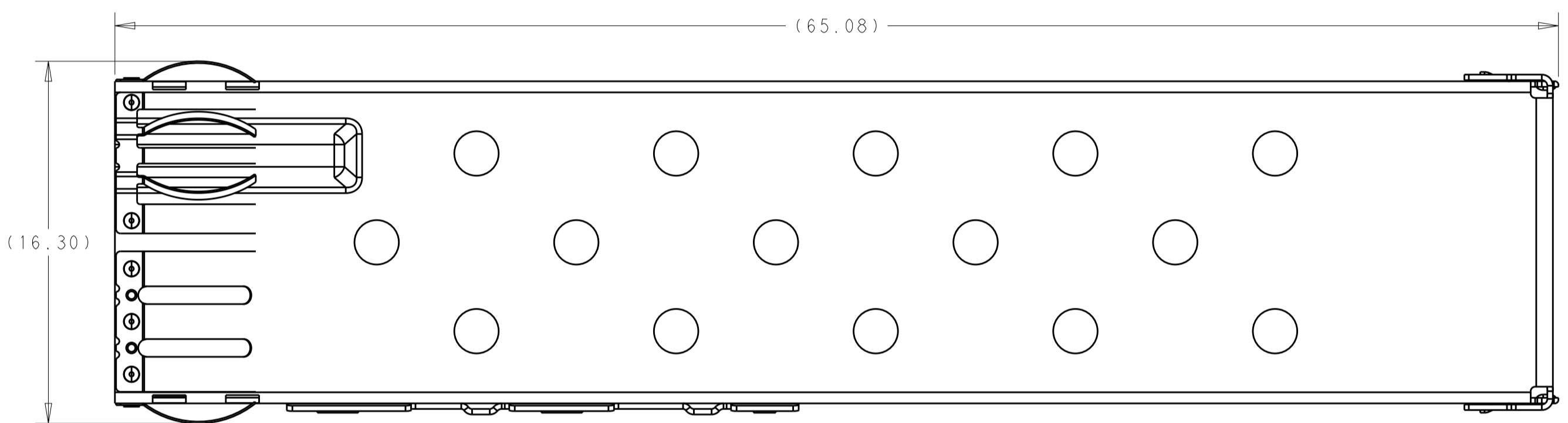


2335809-2 SCALE 5:1
SAME AS 2335809-1 EXCEPT AS SHOWN
TOP VIEW

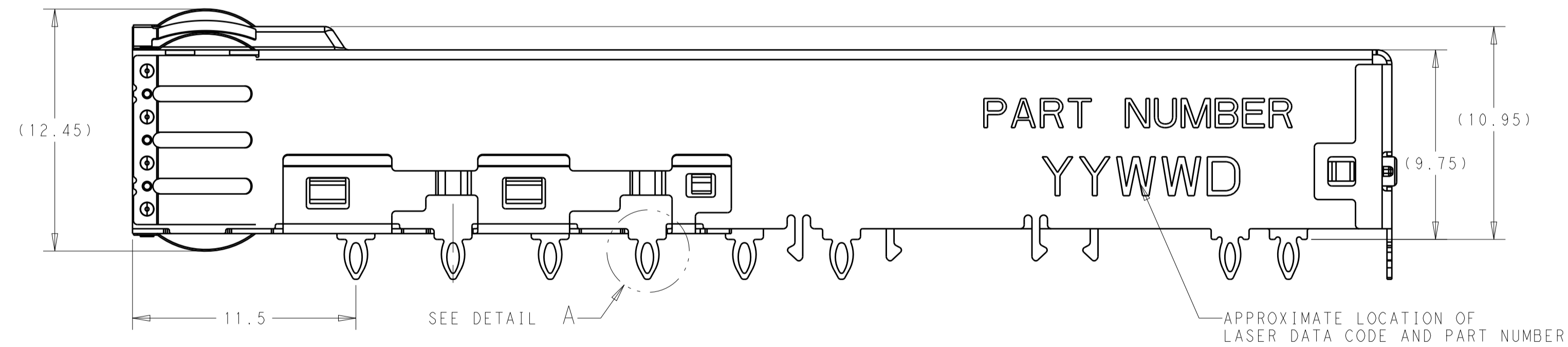
- 1 MATERIAL:
CAGE ASSEMBLY - 0.25mm THICK STAINLESS STEEL.
EMI SPRINGS - COPPER ALLOY.
- 2 FINISH
EMI SPRINGS - NICKEL PLATING, NON-PLATED EDGES PERMISSIBLE.
3. MATES WITH SFP-DD MSA COMPLIANT TRANSCEIVERS.
- 4 DATUM AND BASIC DIMENSION ESTABLISHED BY CUSTOMER.
5. MINIMUM PC BOARD THICKNESS:
SINGLE SIDED = 1.57 mm
DOUBLE SIDED = 2.20 mm
- 6 REFERENCE APPLICATION SPEC. 114-60027, HOLE A, FOR
RECOMMENDED DRILL HOLE DIAMETER AND PLATING THICKNESS.
- 7 REFERENCE APPLICATION SPEC. 114-60027, HOLE B, FOR
RECOMMENDED DRILL HOLE DIAMETER AND PLATING THICKNESS.
8. DATUM -A- IS TOP SURFACE OF THE HOST BOARD.



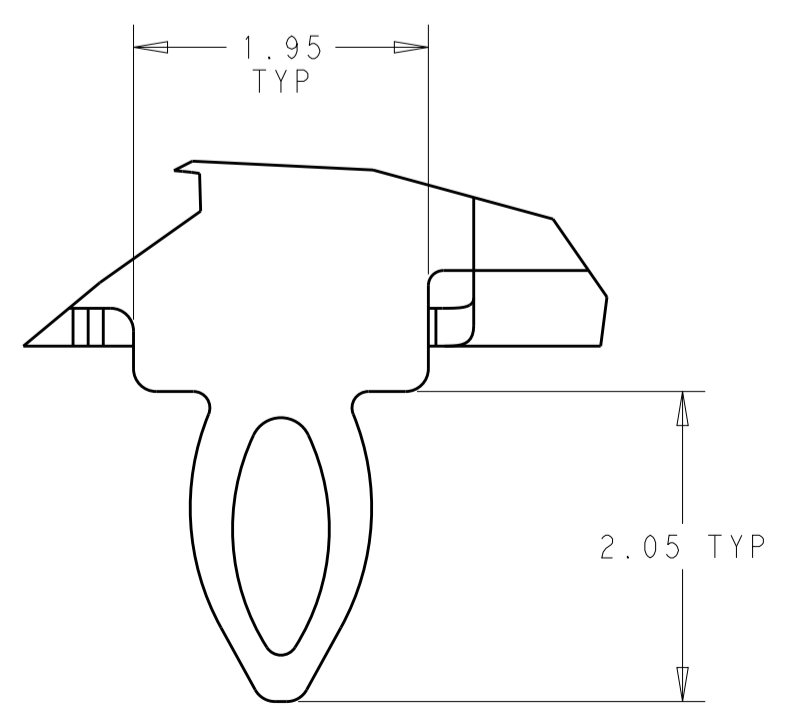
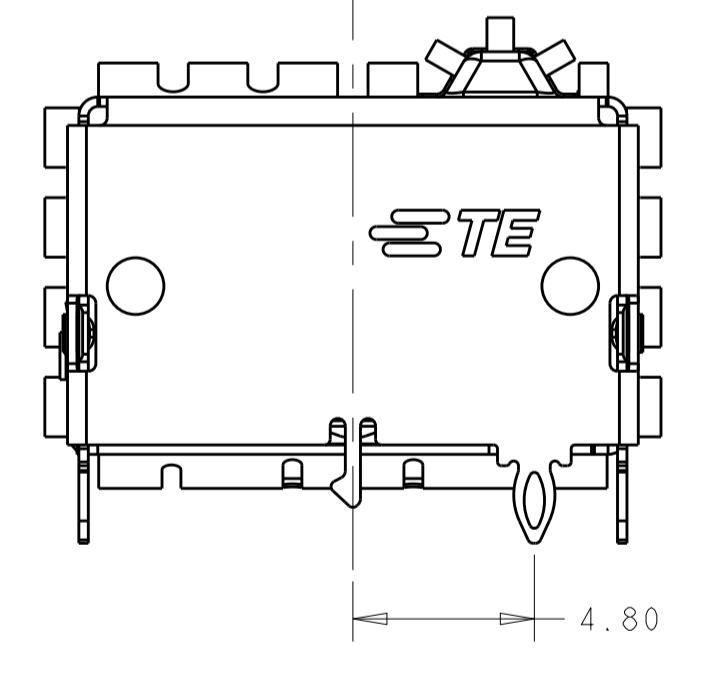
2335809-2
SCALE 3:1



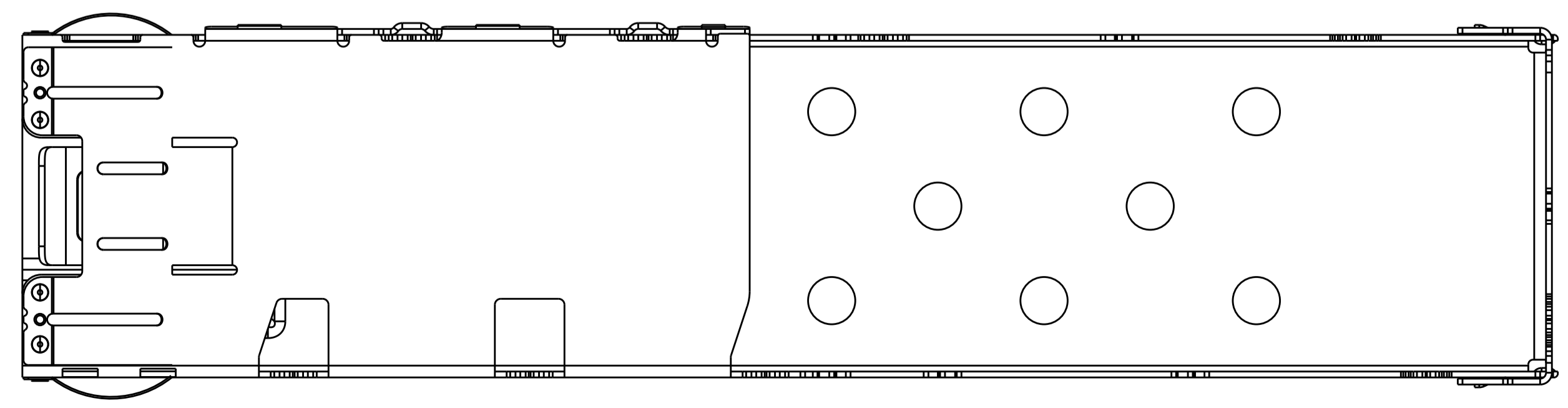
SCALE 5:1



2335809-1 AS SHOWN
SCALE 5:1



DETAIL A
SCALE 20:1

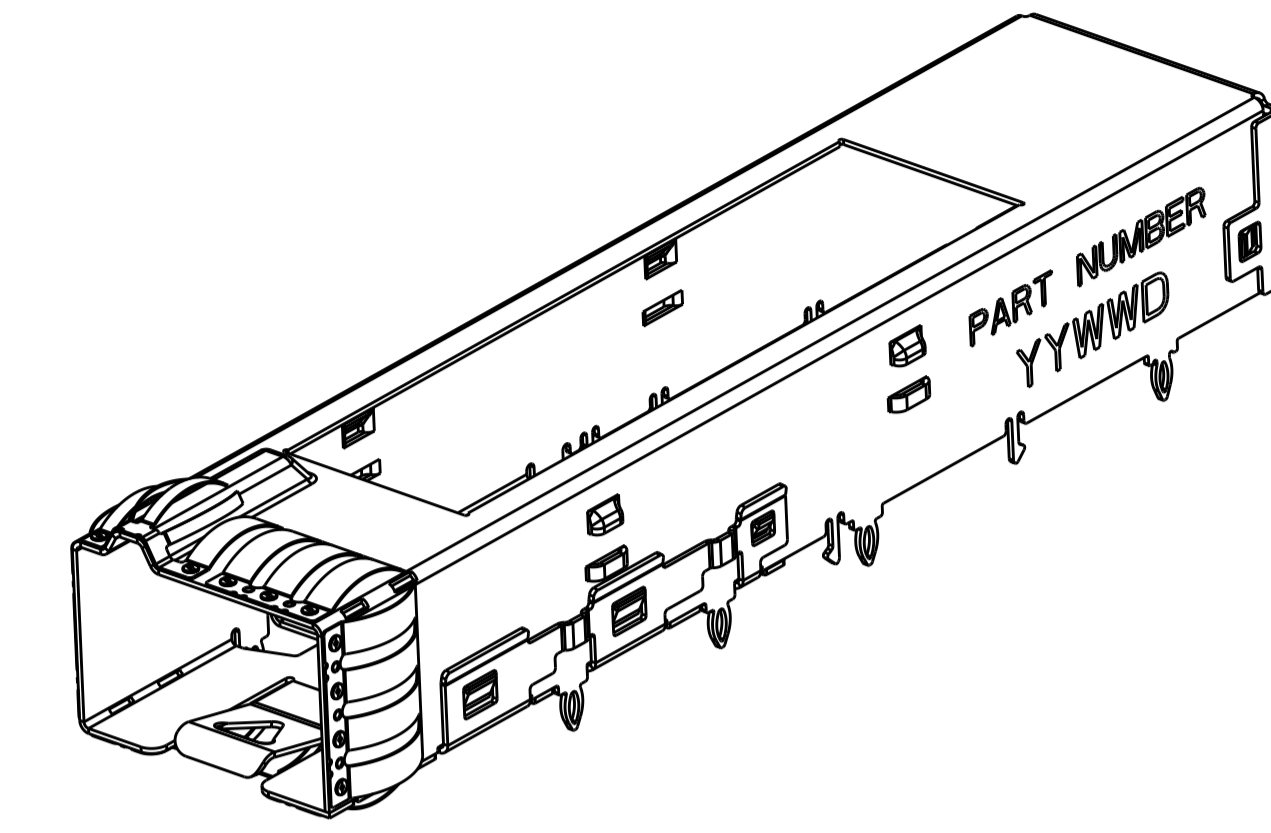
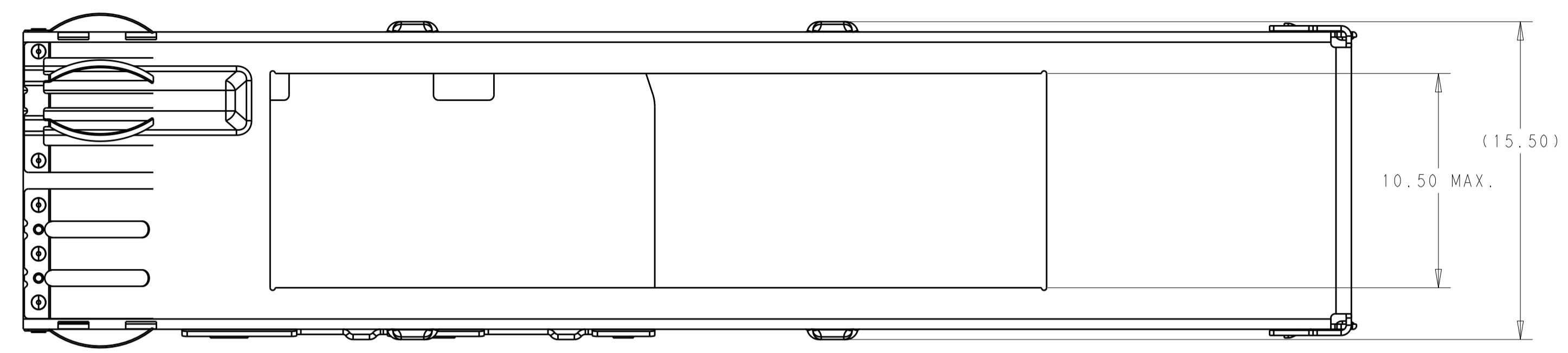


CUSTOMER DRAWING	SCALE	SHEET	OF	REV
CUST TOP OPENING+SIDE PUNCH	2	2335809-4		
STANDARD TOP OPENING	2	2335809-2		
CLOSED TOP	2	2335809-1		
REMARK	# REAR PINS	PART NUMBER		

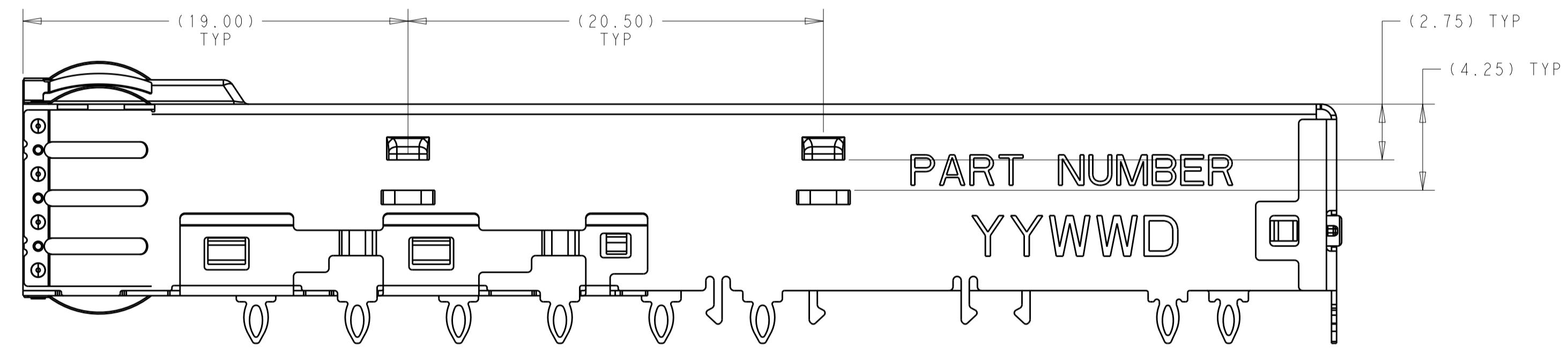
THIS DRAWING IS A CONTROLLED DOCUMENT.		DWN: VINDY LIU 08OCT2018	 TE Connectivity
DIMENSIONS: mm		CHK: SEAN HAN 08OCT2018	
TOLERANCES UNLESS OTHERWISE SPECIFIED:		APVD:	NAME: CAGE ASSEMBLY, 1X1 SFP-DD, STANDARD
0 PLC	±	PRODUCT SPEC	SIZE: CAGE CODE DRAWING NO
1 PLC	±0.25	108-60128	RESTRICTED TO
2 PLC	±0.20	APPLICATION SPEC	A100779C=2335809
3 PLC	±0.10	114-60027	SCALE 2:1 SHEET 1 OF 5 REV A
4 PLC	±	WEIGHT	
ANGLES	±	CUSTOMER DRAWING	

REVISIONS				
P.	LTN	DESCRIPTION	DATE	APVD
-	-	SEE SHEET 1	-	-

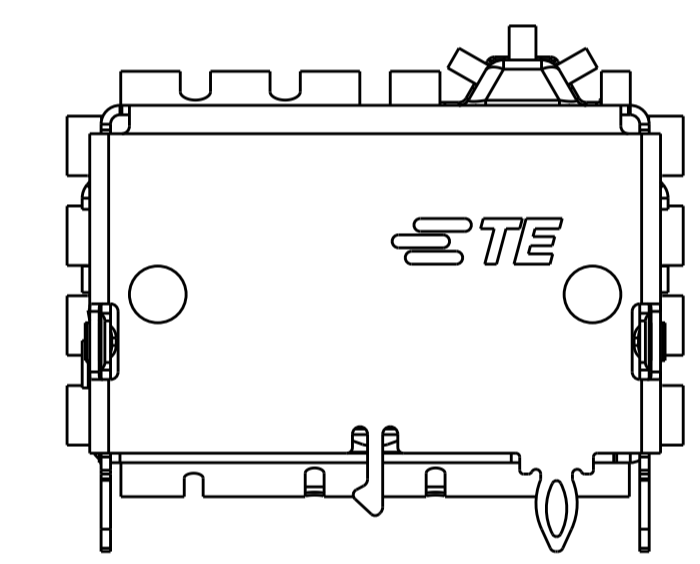
2335809-4 AS SHOWN:
 SAME AS -2 EXCEPT BELOW SPECIFIC DIMENSIONS



2335809-4 AS SHOWN
 SCALE 3:1

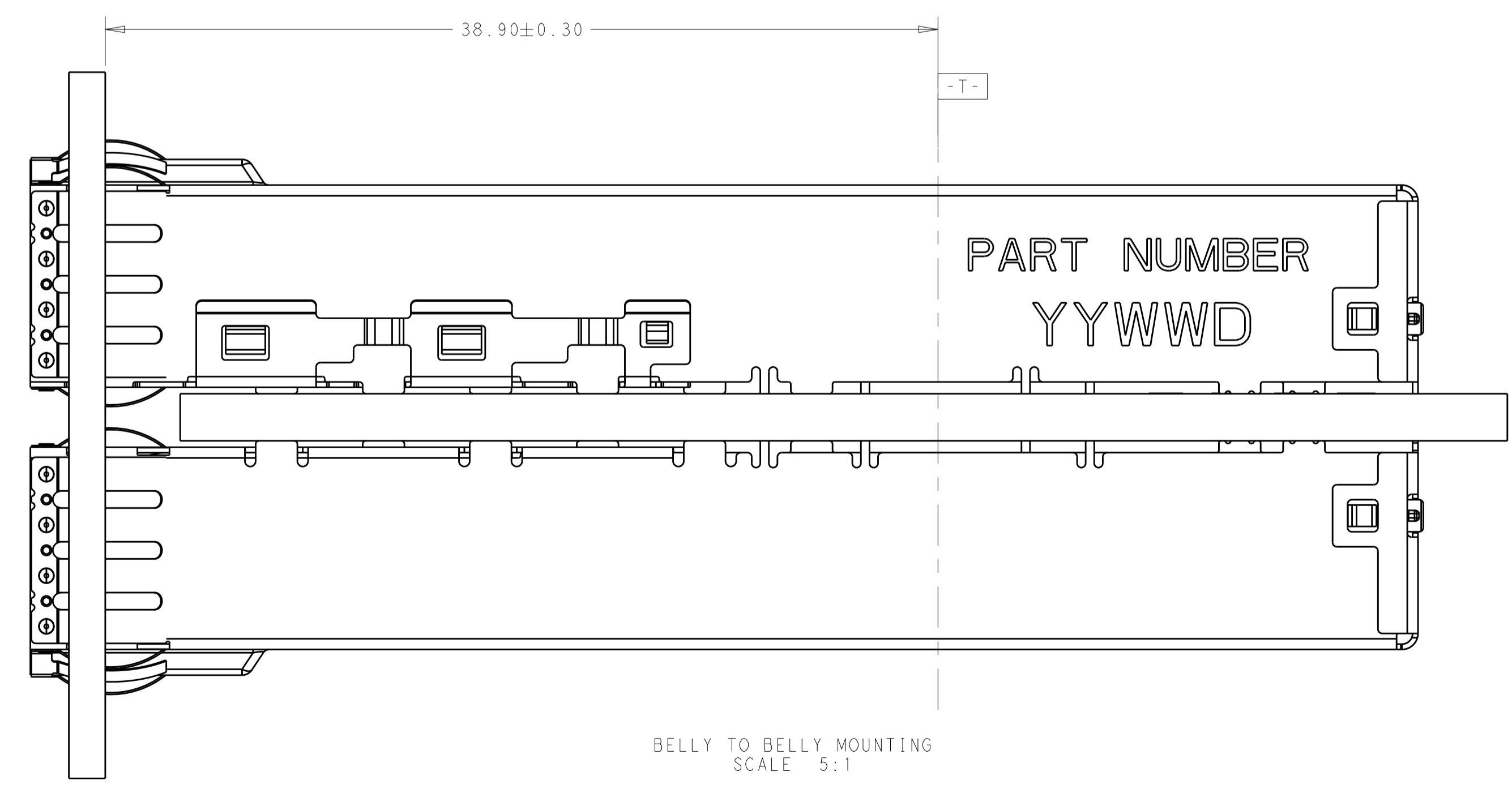
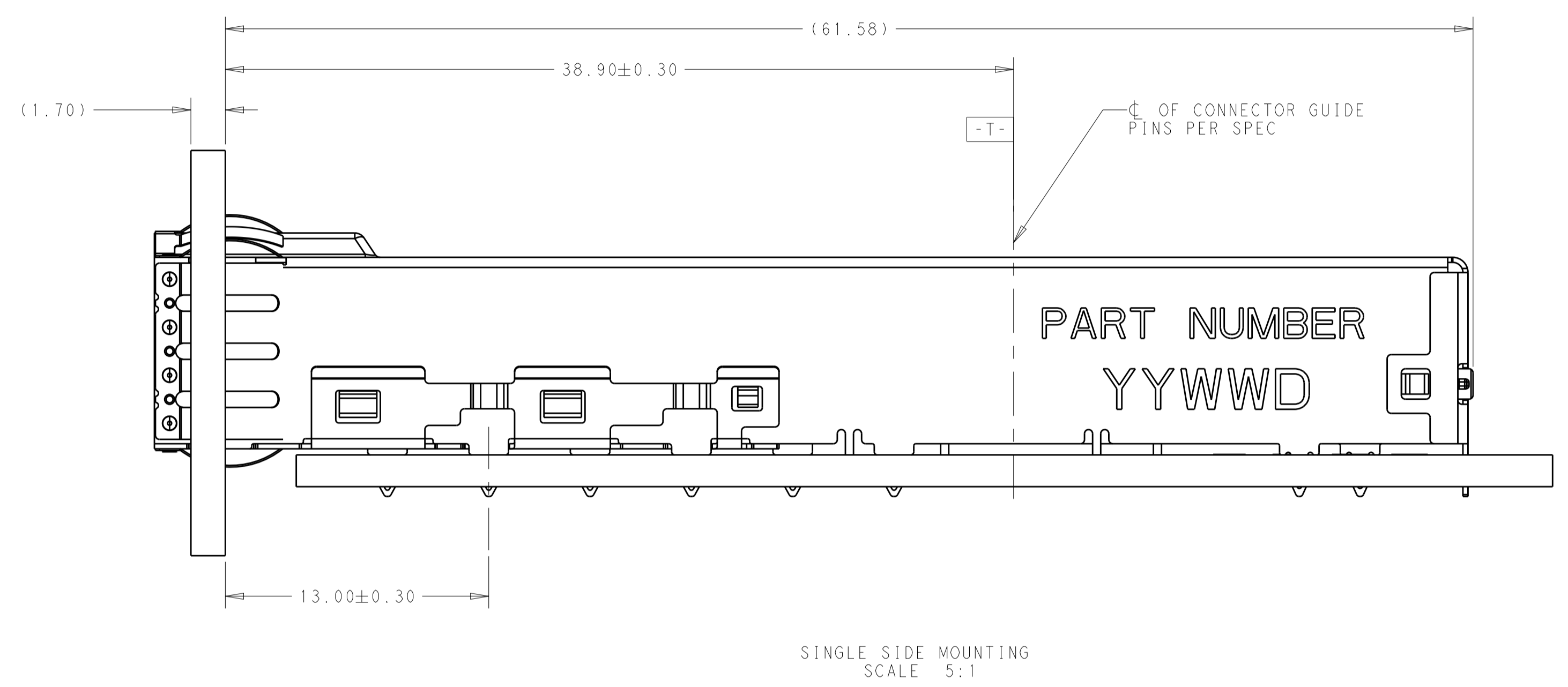
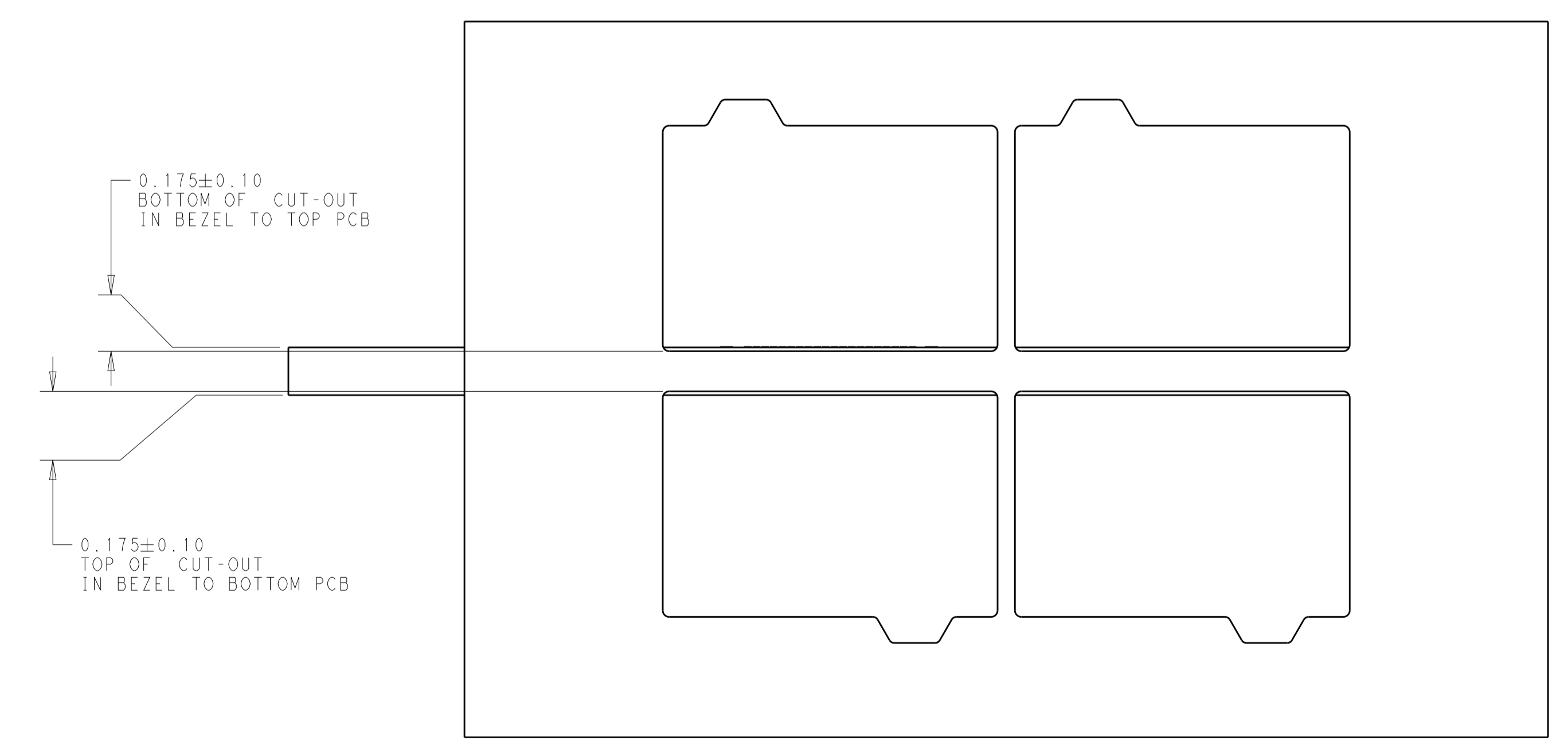
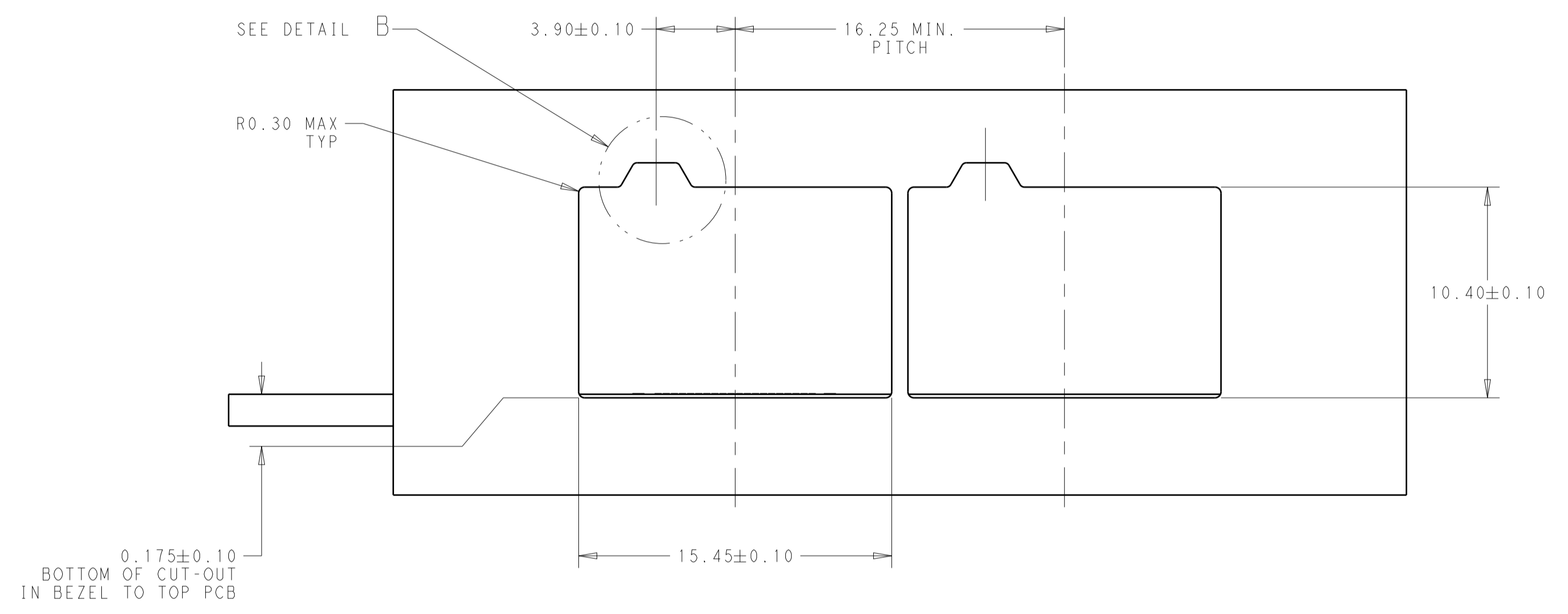
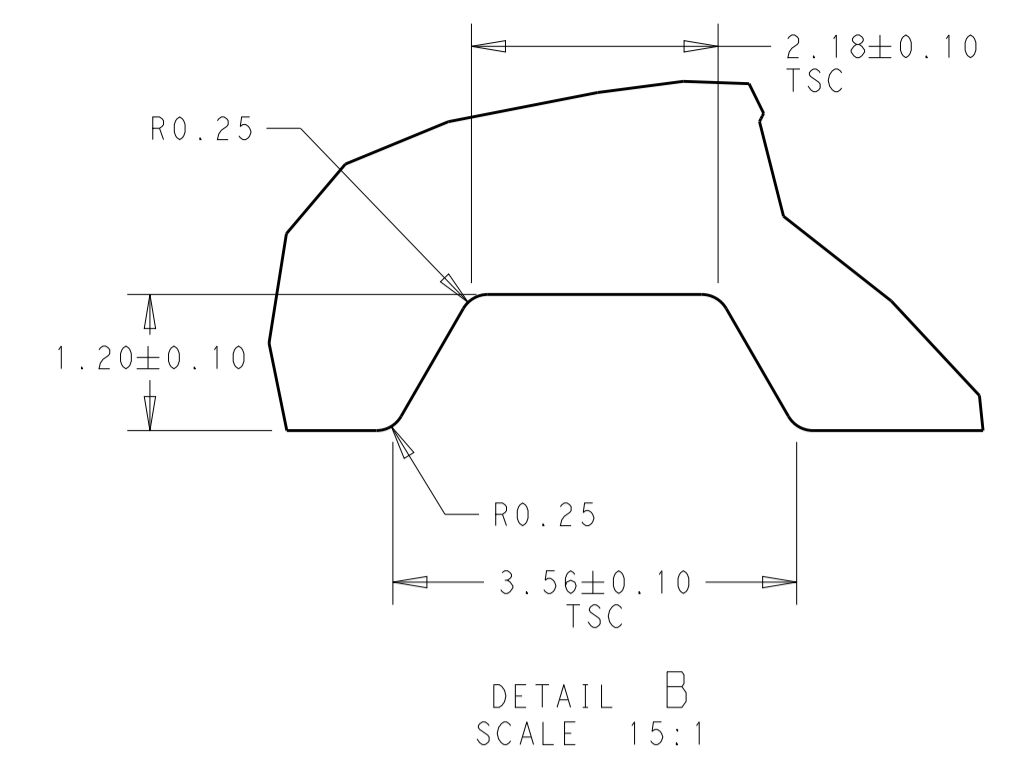


2335809-4 AS SHOWN
 SCALE 5:1



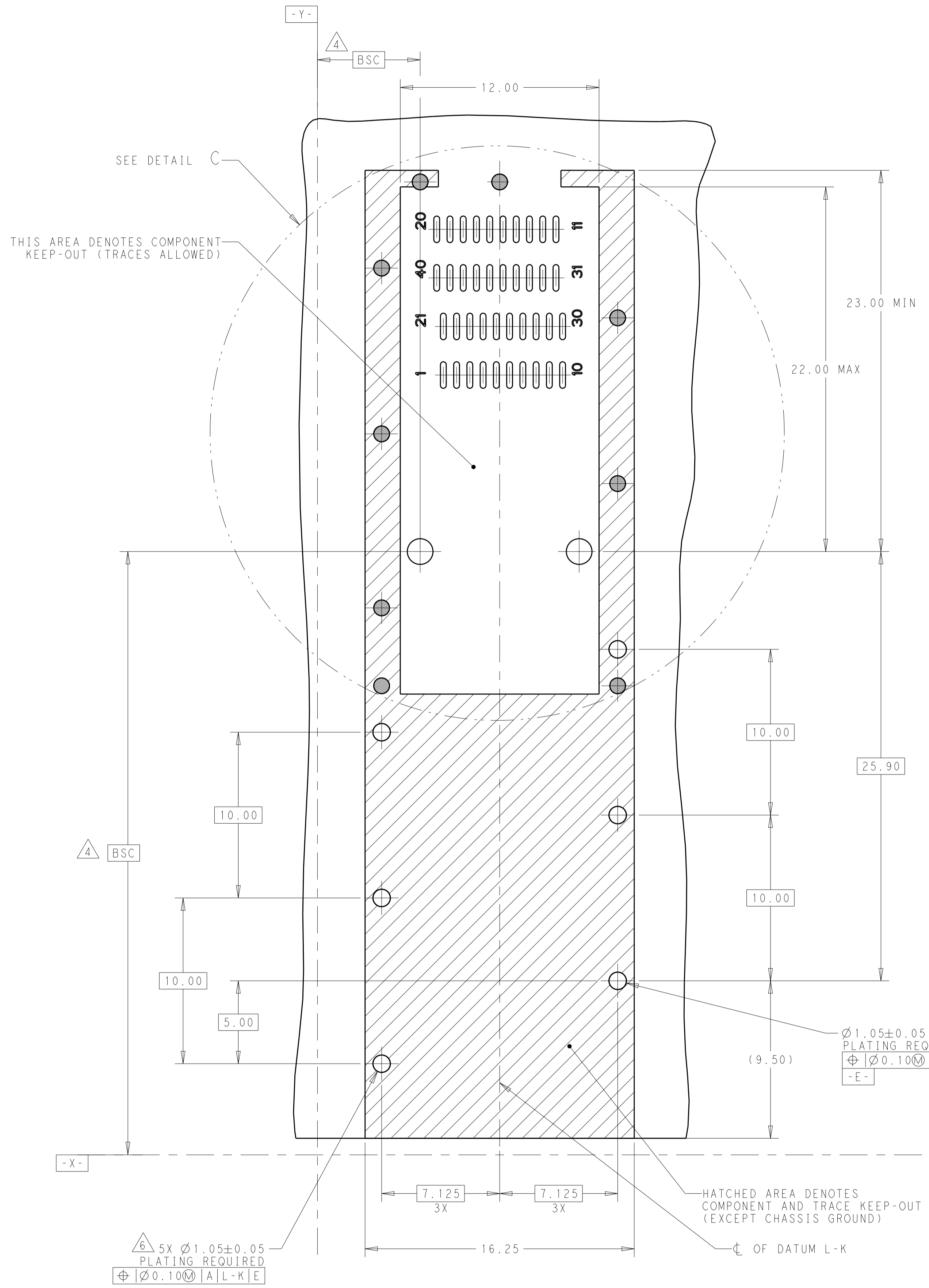
THIS DRAWING IS A CONTROLLED DOCUMENT.		DWN: VINDY LIU 08OCT2018	TE Connectivity
DIMENSIONS: mm		CHK: SEAN HAN 08OCT2018	
TOLERANCES UNLESS OTHERWISE SPECIFIED: 0 PLC ± 1 PLC ±0.25 2 PLC ±0.20 3 PLC ±0.10 4 PLC ± ANGLES ± FINISH ±		APVD: -	NAME: CAGE ASSEMBLY, 1X1 SFP-DD, STANDARD
MATERIAL: -		PRODUCT SPEC: 108-60128	SIZE: A1
FINISH: -		APPLICATION SPEC: 114-60027	CAGE CODE: 00779
CUSTOMER DRAWING		WEIGHT: -	DRAWING NO: 2335809
SCALE: 2:1		SHEET 2 OF 5	
REV: A		REV: A	

REVISIONS				
P.	LTH	DESCRIPTION	DATE	APVD
		SEE SHEET 1		

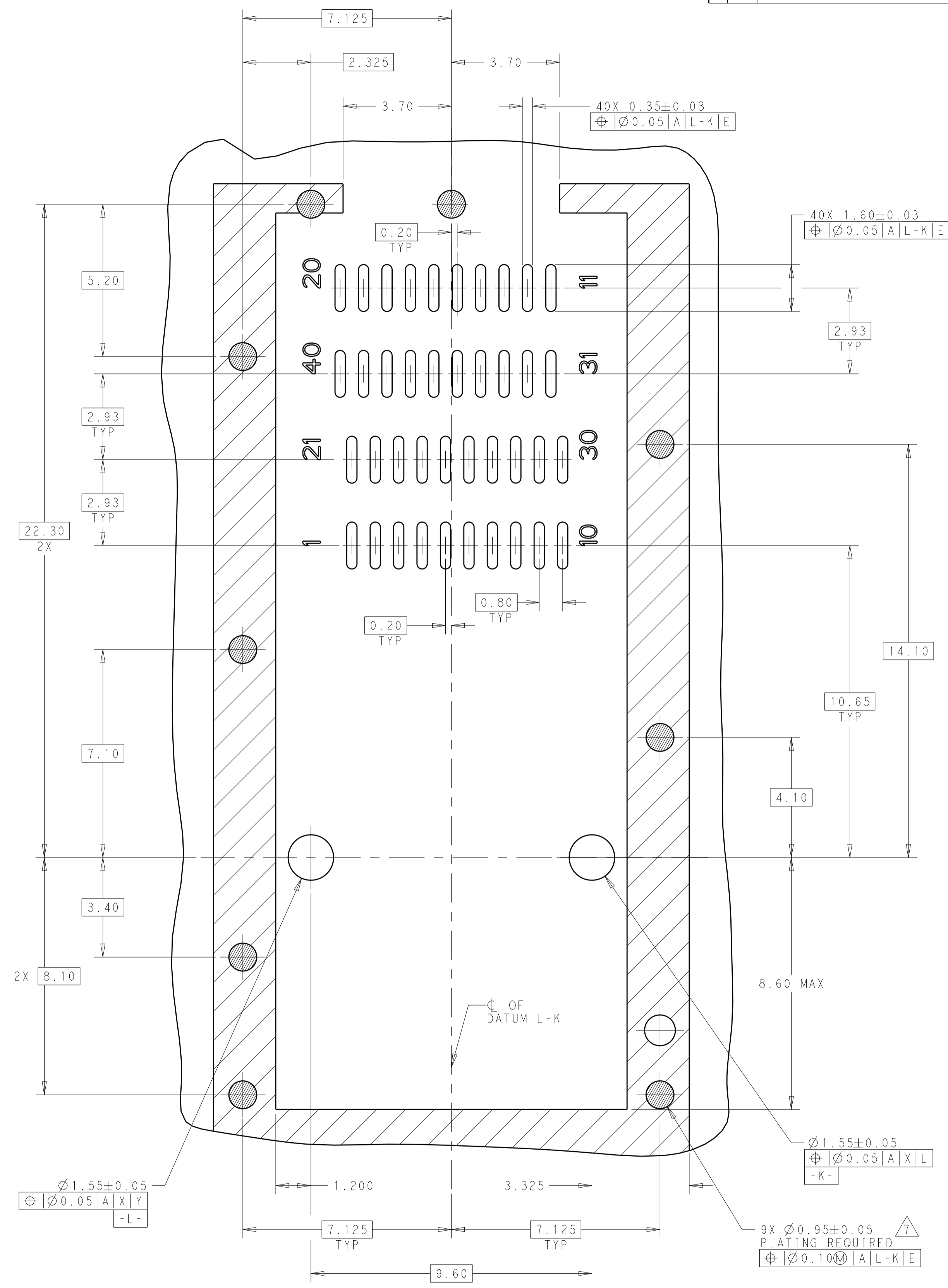


THIS DRAWING IS A CONTROLLED DOCUMENT.		OWN: WINDY LIU 08OCT2018	TE Connectivity
DIMENSIONS: mm		CHK: SEAN HAN 08OCT2018	
TOLERANCES UNLESS OTHERWISE SPECIFIED:		APVD:	NAME: CAGE ASSEMBLY, 1X1 SFP-DD, STANDARD
0 PLC ±	1 PLC ±0.25	PRODUCT SPEC: 108-60128	SIZE: A100779
2 PLC ±0.20	3 PLC ±0.10	APPLICATION SPEC:	CAGE CODE: 2335809
4 PLC ±	ANGLES ±	114-60027	RESTRICTED TO:
MATERIAL:	FINISH:	WEIGHT:	SCALE: 2:1
CUSTOMER DRAWING		SHEET 3 OF 5	REV A

REVISIONS				
P.	LTN.	DESCRIPTION	DATE	APPD.
		SEE SHEET 1		



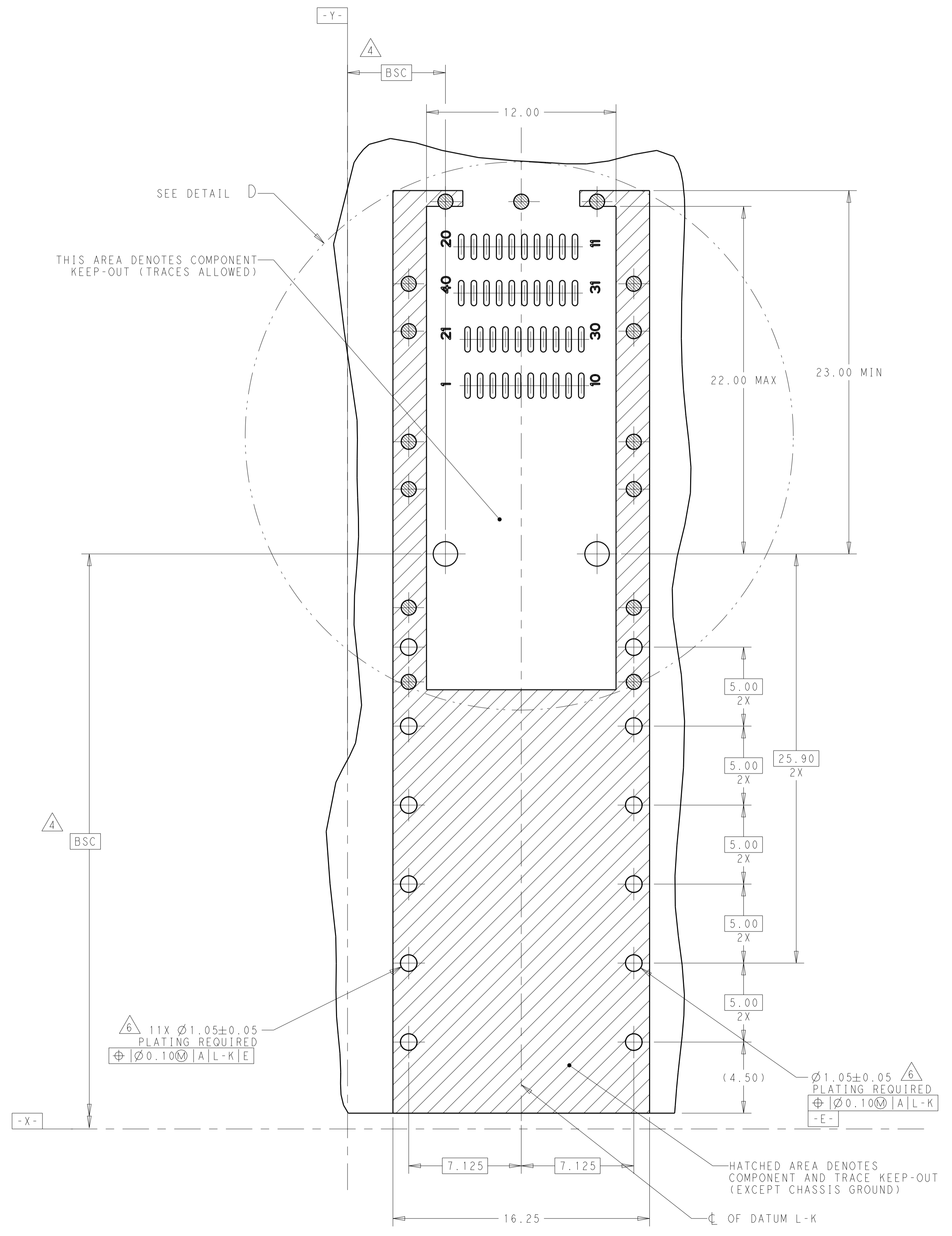
RECOMMENDED PCB LAYOUT
 SINGLE TYPE
 SCALE 6:1



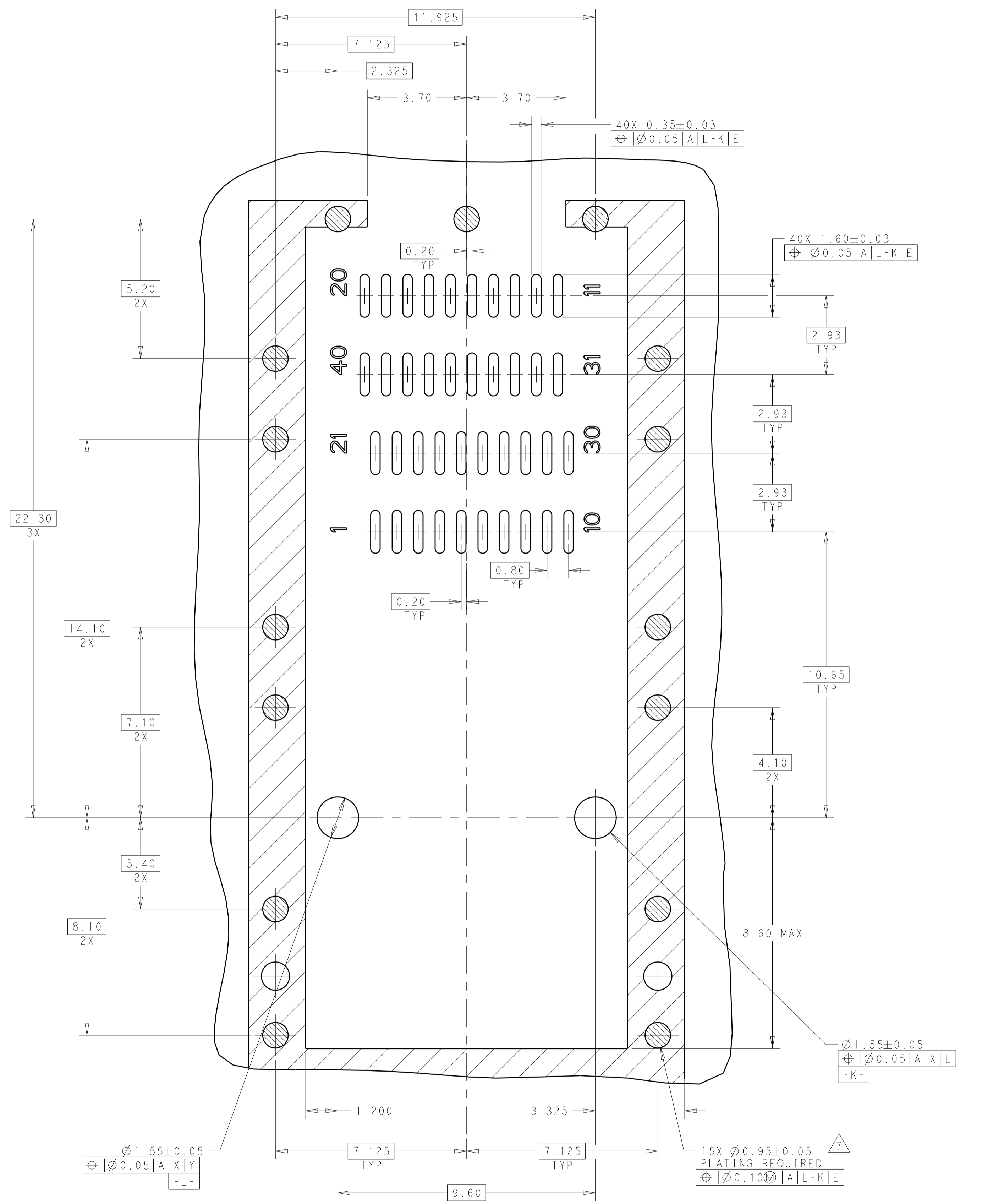
DETAIL C
 SCALE 10:1

THIS DRAWING IS A CONTROLLED DOCUMENT.		DWN: WINDY LIU 08OCT2018	TE Connectivity
DIMENSIONS: mm		CHK: SEAN HAN 08OCT2018	
TOLERANCES UNLESS OTHERWISE SPECIFIED:		APVD:	NAME: CAGE ASSEMBLY, 1X1
0 PLC	±	PRODUCT SPEC	108-60128
1 PLC	±0.25	APPLICATION SPEC	114-60027
2 PLC	±0.20	SIZE	CAGE CODE DRAWING NO
3 PLC	±0.10	WEIGHT	A100779C=2335809
4 PLC	±	CUSTOMER DRAWING	SCALE 2:1 SHEET 4 OF 5 REV A
ANGLES	±		
MATERIAL			
FINISH			

REVISIONS				
P. LTH	DESCRIPTION	DATE	DMN	APVD
	SEE SHEET 1			



RECOMMENDED PCB LAYOUT
 BELLY TO BELLY
 SCALE 6:1



DETAIL D
 SCALE 10:1

THIS DRAWING IS A CONTROLLED DOCUMENT.		DMN: WINDY LIU 08OCT2018	TE Connectivity
DIMENSIONS: mm		CHK: SEAN HAN 08OCT2018	
TOLERANCES UNLESS OTHERWISE SPECIFIED:		APVD:	NAME: CAGE ASSEMBLY, 1X1 SFP-DD, STANDARD
0 PLC	±	PRODUCT SPEC	SIZE: CAGE CODE DRAWING NO
2 PLC	±0.25	108-60128	RESTRICTED TO
3 PLC	±0.20	APPLICATION SPEC	
4 PLC	±0.10	114-60027	
ANGLES	±	WEIGHT	
MATERIAL		CUSTOMER DRAWING	
FINISH		SCALE: 2:1	
		SHEET 5 OF 5	
		REV A	