

20

RELEASED FOR PUBLICATION

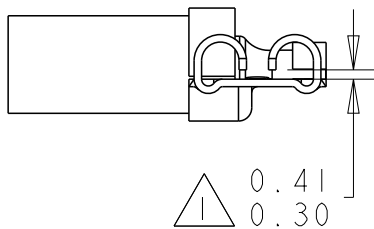
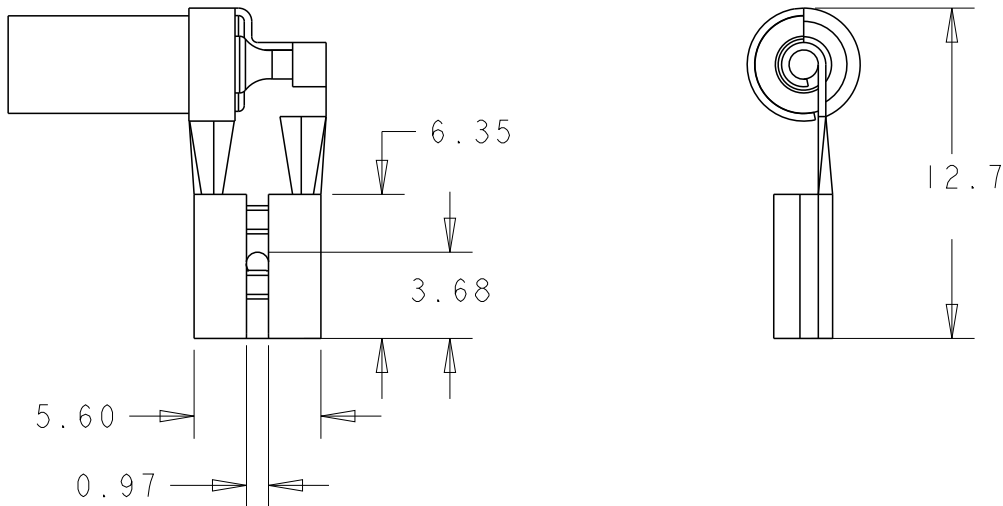
THIS DRAWING IS UNPUBLISHED.

ALL RIGHTS RESERVED.

BY -
© COPYRIGHT 20

REVISIONS

P	LTR	DESCRIPTION	DATE	DWN	APVD
	A	REDRAWN	29NOV2005	MJG	JA
	AI	REVISED PER ECR-14-017731	27NOV2014	NK	DC



NOTES:

- 1 TO SUIT 0.5mm THICK TAB
- 2. WIRE SIZE: 0.5 - 1.5mm²
- 3. INSULATION DIAMETER: 2.8 - 4.3

ELECTROPLATED TIN	Ph Bz	150634-2
NONE	Ph Bz	150634-1
FINISH	MATERIAL	PART NO

DIMENSIONS: mm	DWN M. GREENER	29NOV2005	MATERIAL	-	FINISH	-
	CHK J. AMBROSE	29NOV2005	TE Connectivity			
TOLERANCES UNLESS OTHERWISE SPECIFIED:	APVD F. WHEELER-KING	29NOV2005				
	0 PLC ±0.25	PRODUCT SPEC	NAME	.187 SERIES FLAG FASTON RECEPTACLE		
1 PLC ±0.25	108-5067	APPLICATION SPEC	SIZE	CAGE CODE	DRAWING NO	RESTRICTED TO
2 PLC ±0.25			A 4	00779	C-150634	-
3 PLC ±-						
4 PLC ±-						
ANGLES ±1°	WEIGHT	-				
	Customer Drawing		SCALE	2:1	SHEET	1 OF 1
						REV
						A1